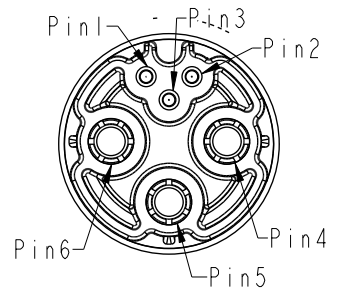
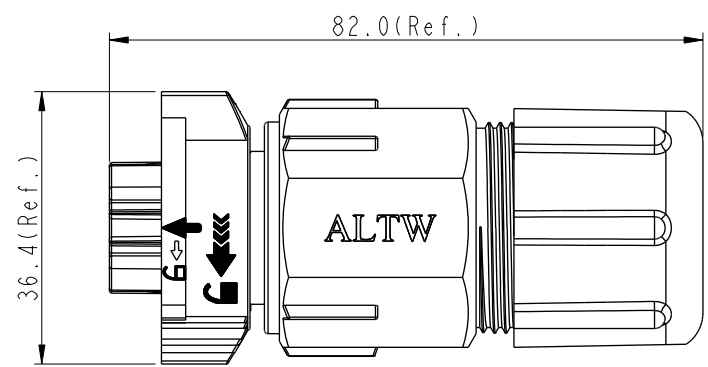
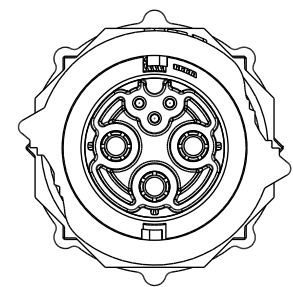
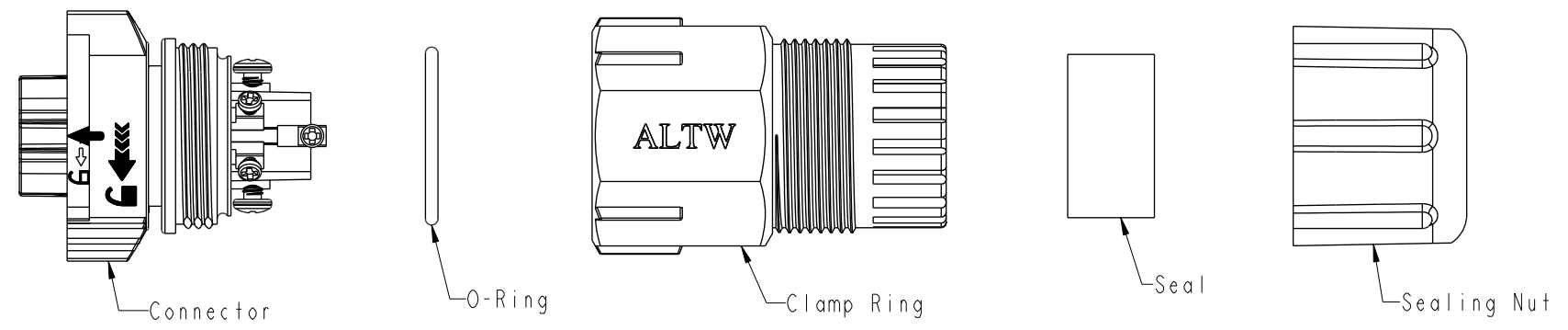


THIS DOCUMENT IS SUBJECT TO CHANGE WITHOUT NOTICE. IT IS CONFIDENTIAL AND A PROPERTY OF AMPHENOL LTW. DISCLOSURE TO THIRD PARTY HAS TO BE AUTHORIZED BY AMPHENOL LTW.

REV.	ECN NO.	DATE	SIGN	DESCRIPTION
A		2021/10/21	Ruru	Initial Released

DCD-XXBFFB-QL8001

XX: No. Of Pin



Pin Assignment
Front View

- Note:
- * RoHS Compliant
 - * \varnothing Important dimension
 - * Waterproof rate: IPX8, mated 1m/24h
 - * Connector
 - Housing: Thermoplastic, Black
 - Pin: Copper alloy, Gold plated
 - O-Ring: Rubber, Dark Gray
 - * Clamp Ring: Thermoplastic, Black
 - * Sealing Nut: Thermoplastic, Black
 - * Seal: Rubber, Dark Gray, OD: $\varnothing 8.0\text{mm} \sim \varnothing 14.5\text{mm}$
 - * One set assembled in one pe bag

UNIT:mm		
TOLERANCE		
.X	± 0.25	
.XX	± 0.1	
.XXX	± 0.05	
ANGLES	$\pm 1^\circ$	

TITLE XLOK, D-20A+5A, CABLE W/O SR F, F, FI SCREW IN, PUSH LOCK			
SCALE 1:1	SIZE A4	SHEET 1 OF 1	
REV. A	WC-REV. A.3	\varnothing Inspection item	

Amphenol LTW
安費諾亮泰企業股份有限公司

ITEM NO.	DRAWN BY Ruru	DATE 2021-10-21
DWG NO. DCD-XXBFFB-QL8001	CHECKED BY Rita	DATE 2021-10-21
CUSTOMER ALTW	APPROVED BY Max	DATE 2021-10-21