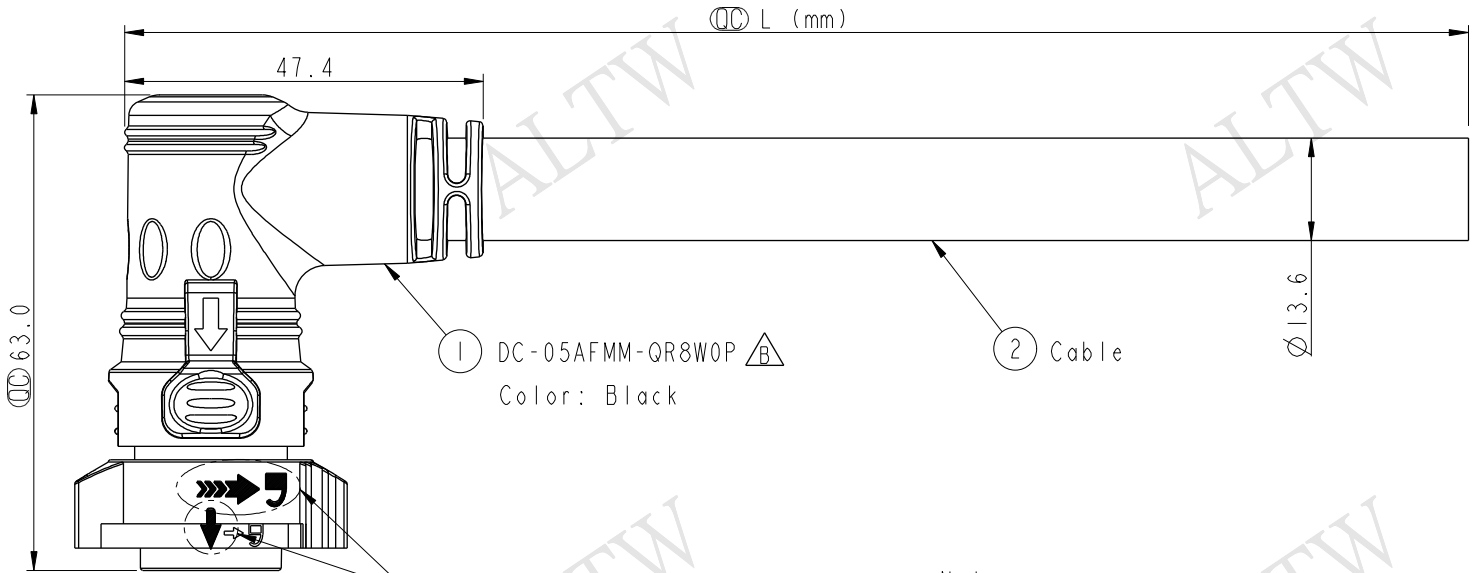
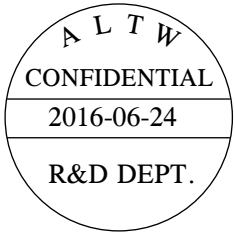


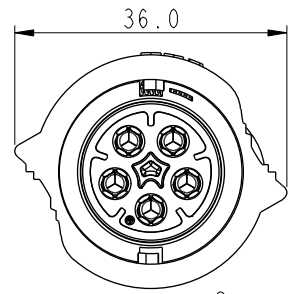
REV.	ECN NO.	DATE	SIGN	DESCRIPTION
A	Initial Release	2016-02-16	Wes	Change Rev.01 To Rev.A
B	LE31660487	2016-06-24	Wes	Change Part NO. of Half-finished



① DC-05AFMM-QR8W0P \triangle B
Color: Black

② Cable

③ Printing White
白色印刷

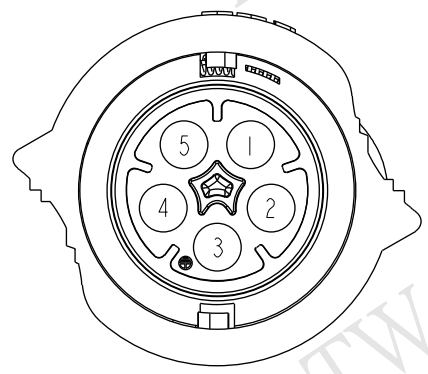


DC-05AFMM-QR8E XX

XX :01~99Meters
01 :01Meter
02 :02Meters
:
:
:
99 :99Meters

Cable Length(L):01~99Meters

- Note:
- * Ⓞ Important Dimension To Check.
 - * Working Voltage Rating: AC 300V
 - * Working Current Rating: Max. 20A
 - * Waterproof Rate: IP68(Mated)
In 1 meters water within 24hours.
 - * Housing: Nylon+GF, Black(UV Resistance)
 - * Male Pin: Copper Alloy, Gold & Ni Plated
 - * Cable: SJTW 12AWG*5C, PVC Jacket,
OD=13.6, Black.
 - * Cable Length Tolerance:01M:±40mm
02M~05M:±60mm
06M~10M:±100mm
11M~30M:±200mm
31M~99M:±500mm



Pin Assignments
Front View

Conn.	Wire Color	Pin Out
5	Brown 棕	
4	Red 紅	
3	Green 綠	
2	White 白	
1	Black 黑	
Conn.	Wire Color	Pin Out

UNIT:mm	
TOLERANCE	±0.5

TITLE X-Lok D Size Cable Molding 5Pin F Connector M Pin(20A)			
SCALE 1:1	SIZE A4	SHEET 1 OF 1	
REV. B	WC-REV. A.5	③: Inspection item	

Amphenol LTW
安費諾亮泰企業股份有限公司

ITEM NO	DRAWN BY Wes Fan	DATE 2016-06-24
DWG NO DC-05AFMM-QR8EXX	CHECKED BY Spring Liu	DATE 2016-06-24
CUSTOMER ALTW	APPROVED BY Kevin Hu	DATE 2016-06-24

THIS DOCUMENT IS SUBJECT TO CHANGE WITHOUT NOTICE. IT IS CONFIDENTIAL AND A PROPERTY OF Amphenol LTW. DISCLOSURE TO THIRD PARTY HAS TO BE AUTHORIZED BY Amphenol LTW.