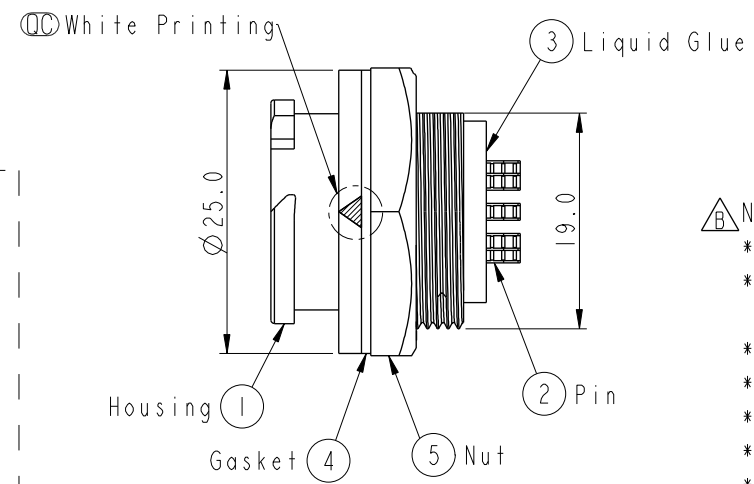
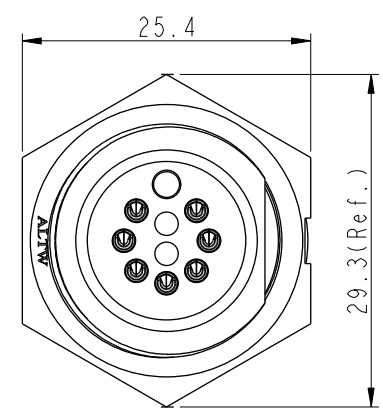
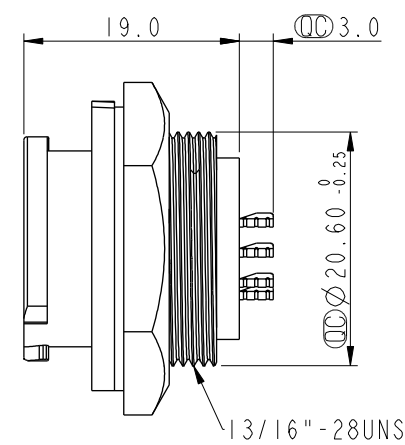
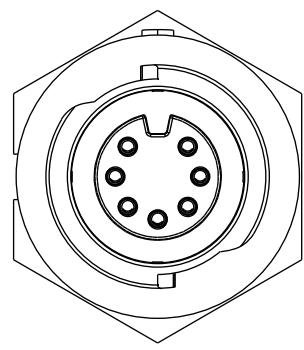


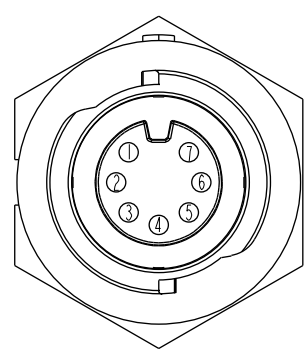
THIS DOCUMENT IS SUBJECT TO CHANGE WITHOUT NOTICE. IT IS CONFIDENTIAL AND A PROPERTY OF AMPHENOL LTW. DISCLOSURE TO THIRD PARTY HAS TO BE AUTHORIZED BY AMPHENOL LTW.

REV.	ECN NO.	DATE	SIGN	DESCRIPTION
B	C190470	2019/03/20	Vicky	Change Note

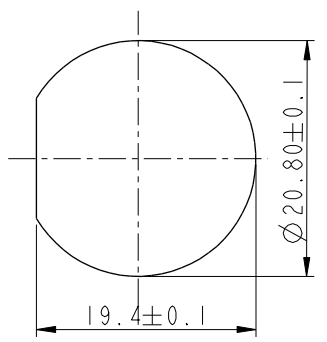
ALTW
 CONFIDENTIAL
 2019-03-20
 R&D DEPT.



- Note:**
- * CC Important Dimension To Check.
 - * Waterproof Rate: IP68, Unmated. In 1 meter water within 24 hours
 - * Housing: Thermoplastic, Black.
 - * Pin: Copper Alloy, Gold Plated.
 - * Nut: Thermoplastic, Black.
 - * Gasket: Rubber, Gray.
 - * Panel Thickness Max: 4.2mm
 - * Gasket and Nut are packed separately in PE bags.



Pin Assignments
Front View



Recommenderd Panel Cut-Out

UNIT:mm		
TOLERANCE		
.X	±0.25	
.XX	±0.1	
.XXX	±0.05	
ANGLES	±1°	

TITLE X-Lok C Size Receptacle Rear 7 Pin M Conn. F Pin			
SCALE 3:2	SIZE A4	SHEET 1 OF 1	
REV. B	WC-REV. A.2	CC : Inspection item	

Amphenol LTW
 安費諾亮泰企業股份有限公司

ITEM NO CD-07RMFS-OC8001	DRAWN BY Vicky	DATE 2019-03-20
DWG NO CD-07RMFS-OC8001	CHECKED BY Rita	DATE 2019-03-20
CUSTOMER ALTW	APPROVED BY Max	DATE 2019-03-20