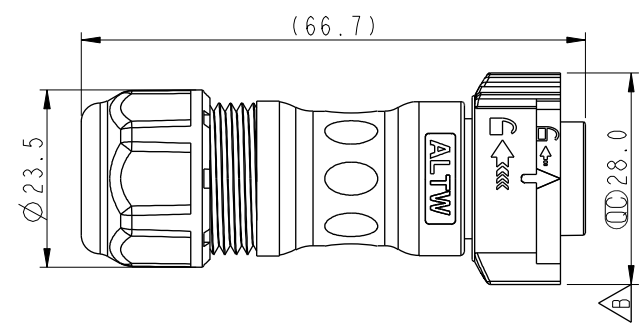
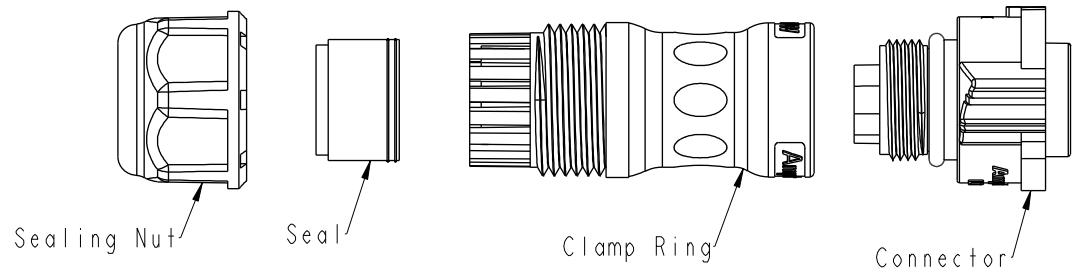


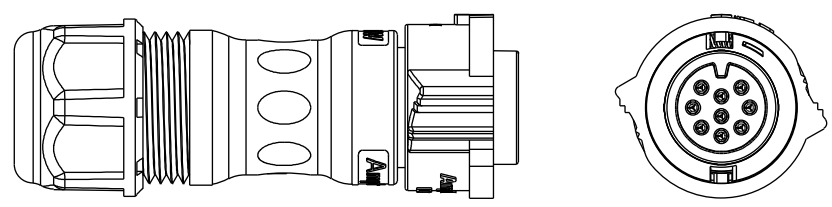
THIS DOCUMENT IS SUBJECT TO CHANGE WITHOUT NOTICE. IT IS CONFIDENTIAL AND A PROPERTY OF Amphenol LTW. DISCLOSURE TO THIRD PARTY HAS TO BE AUTHORIZED BY Amphenol LTW.

REV.	ECN NO.	DATE	SIGN	DESCRIPTION
A		2016/11/23	Victor Hung	Change Rev.01 To Rev.A
B	CI92027	2019/11/21	Vicky	$\triangle B$ X4



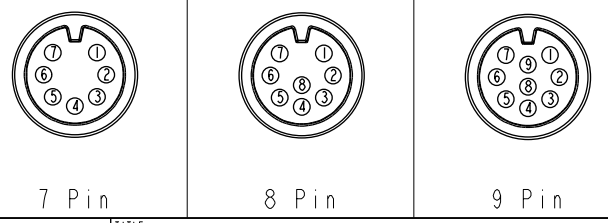
CD-XXBFMA-QL8XP0

07-7Pin      S: With Red Color Seal 1, Cable OD 6.0~8.0mm.  
 08-8Pin      M: With Yellow Color Seal 2, Cable OD 8.0~10.0mm.  
 09-9Pin      L: With Blue Color Seal 3, Cable OD 10.0~12.0mm.  
                   A: With Seal 1 & Seal 2 & Seal 3.



- $\triangle B$  Note:
- \*  $\varnothing$  Important Dimension
  - \* Waterproof Rate: IP68, Mated  
IP68: 1M Depth Of Water In 24hours
  - \* Housing: Thermoplastic, Black
  - \* Pin: Copper Alloy, Gold Plated
  - \* Clamp Ring: Thermoplastic, Black
  - \* Sealing Nut: Thermoplastic, Black
  - \* Seals: Rubber

Pin Assignments Front View



UNIT:mm		TITLE XLOK, C-5A, CABLE W/O SR F, M, FI CRIMP, XLOK	
TOLERANCE	$\pm 0.5mm$	SCALE 1:1	SIZE A4
		REV. B	WC-REV. A.5
		SHEET 1 OF 1	
		$\varnothing$ : Inspection item	

**Amphenol LTW**  
安費諾亮泰企業股份有限公司

ITEM NO	DRAWN BY Victor Hung	DATE 2016-11-23
DWG NO CD-XXBFMA-QL8XP0	CHECKED BY Wes Fan	DATE 2016-11-23
CUSTOMER ALTW	APPROVED BY Kevin Hu	DATE 2016-11-23