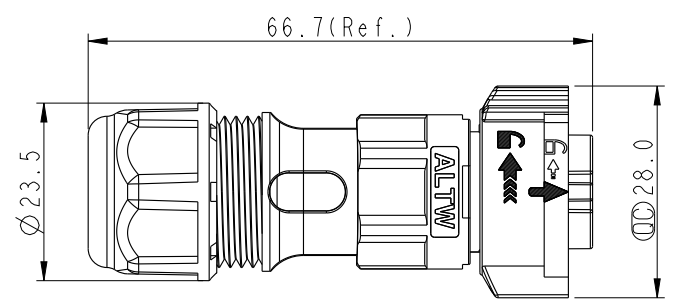
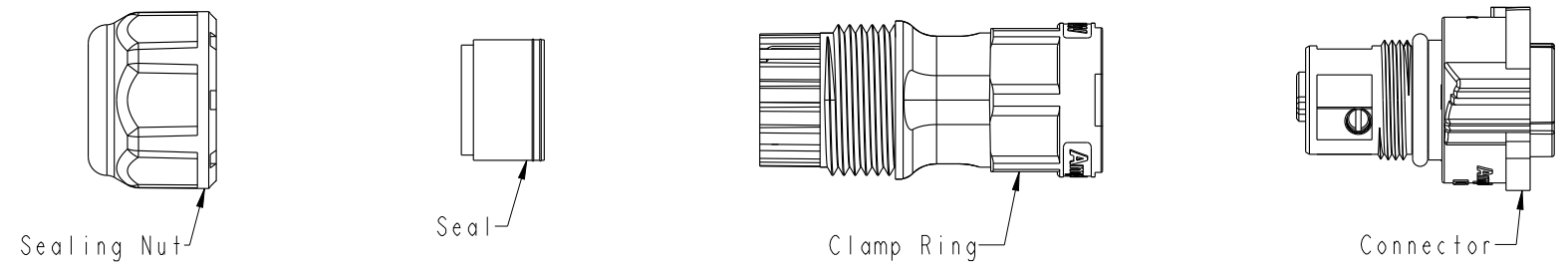


THIS DOCUMENT IS SUBJECT TO CHANGE WITHOUT NOTICE. IT IS CONFIDENTIAL AND A PROPERTY OF AMPHENOL LTW. DISCLOSURE TO THIRD PARTY HAS TO BE AUTHORIZED BY AMPHENOL LTW.

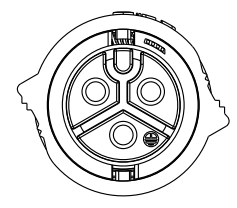
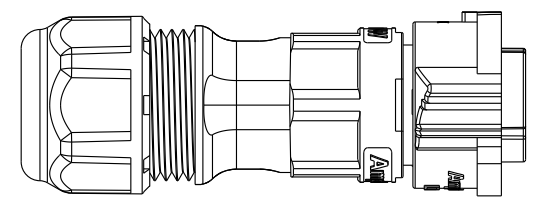
REV.	ECN NO.	DATE	SIGN	DESCRIPTION
A	Initial Release	2021/08/26	Xiaofeng	New Initial
B	C220240	2022/02/18	Xiaofeng	$\triangle B$ X2



CC-XXBFFB-QL8XPA

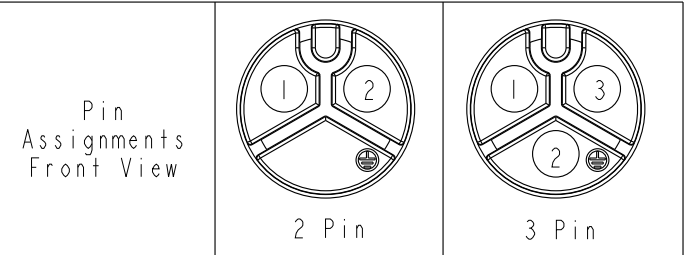
02-2Pin
03-3Pin

S: With Red Color Seal 1, Cable OD 6.0~8.0mm.
M: With Yellow Color Seal 2, Cable OD 8.0~10.0mm.
L: With Blue Color Seal 3, Cable OD 10.0~12.0mm.
A: With Seal 1 & Seal 2 & Seal 3.



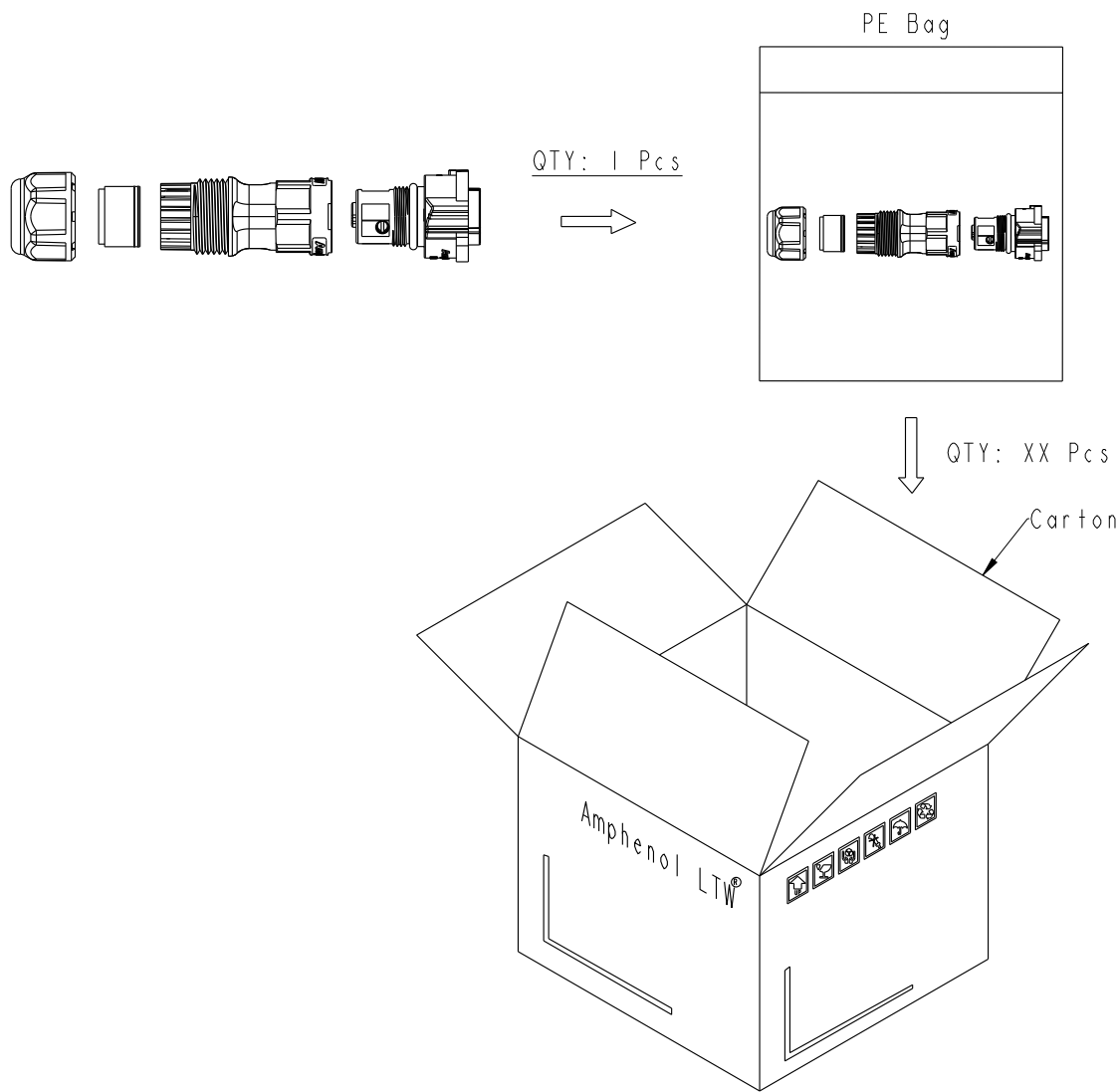
Note:

- * RoHS Compliant
- * \varnothing Important Dimension
- * Waterproof Rate: IPX8, Mated 1m/24h.
- * Connector Housing: Thermoplastic, Black
- * Pin: Copper Alloy, Silver Plated
- * Clamp Ring: Thermoplastic, Black
- * Sealing Nut: Thermoplastic, Black
- * Seals: Rubber



A	UNIT:mm	\varnothing	∇	TITLE	ITEM NO		DRAWN BY	DATE
	TOLERANCE			XLOK, C-Size, 03P, CABLE W/O SR F, F, FI SCREW IN, XLOK(600V,10A)	CC-XXBFFB-QL8XPA		Xiaofeng	2021/08/26
	± 0.5 mm	SCALE	SIZE	SHEET	OF	DWG NO	CHECKED BY	DATE
	REV.	WC-REV.		1	2	ALTW	Feng-Li	2021/08/26
			\varnothing : Inspection item	Amphenol LTW		CUSTOMER	APPROVED BY	DATE
				安費諾亮泰企業股份有限公司		ALTW	Jerry	2021/08/26

THIS DOCUMENT IS SUBJECT TO CHANGE WITHOUT NOTICE. IT IS CONFIDENTIAL AND A PROPERTY OF Amphenol LTW. DISCLOSURE TO THIRD PARTY HAS TO BE AUTHORIZED BY Amphenol LTW.



Note:
 * One Set Unassembled In One PE Bag.
 (每一組未組裝，放置於一個PE袋，並封口，如圖示)
 * Label is Attached To PE Bag Front.
 (標籤貼在PE袋正面)

UNIT:mm	
TOLERANCE ±0.5 mm	

TITLE XLOK, C-Size, 03P, CABLE W/O SR F, F, FI SCREW IN, XLOK(600V,10A)			
SCALE 8:5	SIZE A4	SHEET 2 OF 2	
REV. B	WC-REV. A.3	☉: Inspection item	

Amphenol LTW
 安費諾亮泰企業股份有限公司

ITEM NO	DRAWN BY Xiaofeng	DATE 2021/08/26
DWG NO CC-XXBFFB-QL8XPA	CHECKED BY Feng-Li	DATE 2021/08/26
CUSTOMER ALTW	APPROVED BY Jerry	DATE 2021/08/26