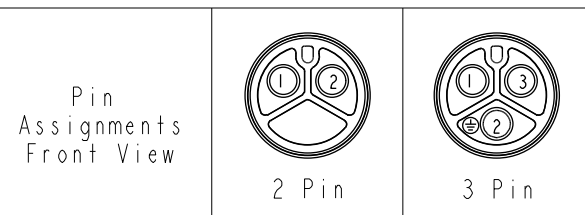
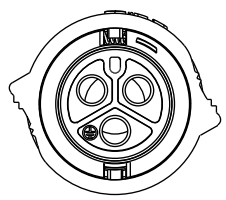
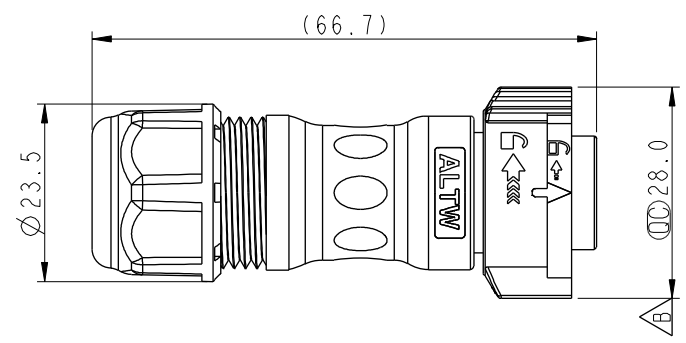
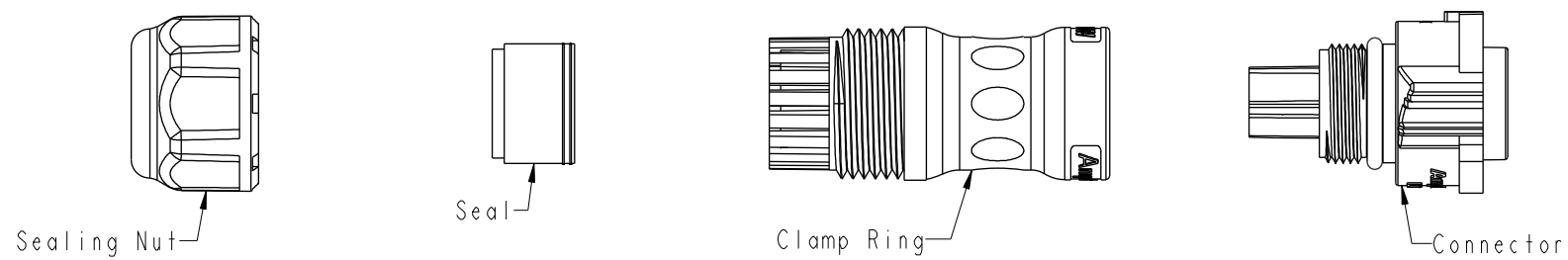


THIS DOCUMENT IS SUBJECT TO CHANGE WITHOUT NOTICE. IT IS CONFIDENTIAL AND A PROPERTY OF Amphenol LTW. DISCLOSURE TO THIRD PARTY HAS TO BE AUTHORIZED BY Amphenol LTW.

REV.	ECN NO.	DATE	SIGN	DESCRIPTION
B	E191899	2019/11/12	Ruru	$\triangle B$ X4



- $\triangle B$ Note:
- * \varnothing Important Dimension
 - * Waterproof Rate: IP68, Mated
IP68 : 1M Depth Of Water In 24hours
 - * Housing: Thermoplastic, Black
 - * Clamp Ring: Thermoplastic, Black
 - * Sealing Nut: Thermoplastic, Black
 - * Seals: Rubber

A	UNIT:mm	\varnothing	∇	TITLE	XLOK, C-20A, CABLE W/O SR F, M, FI CRIMP, XLOK $\triangle B$		ITEM NO	DRAWN BY	DATE
	TOLERANCE	± 0.5 mm		SCALE	1:1	SIZE	A4	SHEET	1 OF 1
	REV.	B	WC-REV.	A.1	\varnothing : Inspection item		CUSTOMER	APPROVED BY	DATE
				Amphenol LTW 安費諾亮泰企業股份有限公司			CC-XXBFMA-QL8XNP $\triangle B$	Ruru	2019-11-12
							ALTW	Rita	2019-11-12
								Max	2019-11-12