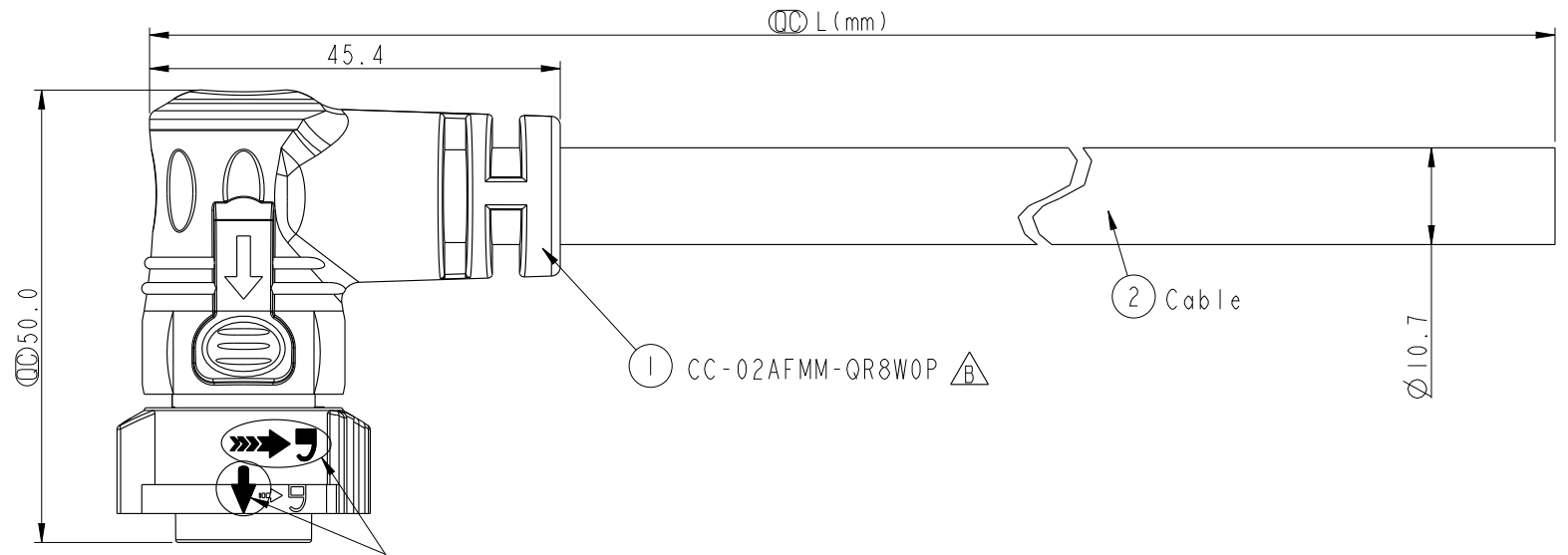
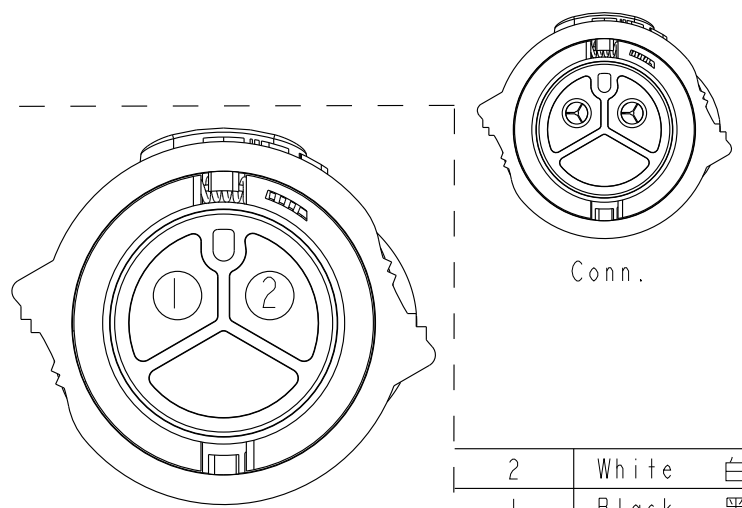


THIS DOCUMENT IS SUBJECT TO CHANGE WITHOUT NOTICE. IT IS CONFIDENTIAL AND A PROPERTY OF AMPHENOL LTW. DISCLOSURE TO THIRD PARTY HAS TO BE AUTHORIZED BY AMPHENOL LTW.

REV.	ECN NO.	DATE	SIGN	DESCRIPTION
B	LE31670034	2016-07-06	Tom_Gu	Change Part No. of Half Finished
C	CI80151	2018-09-30	Frank	Change Wire Color



ALTW
CONFIDENTIAL
2018-09-30
R&D DEPT.



Pin Assignments
Front View

2	White	白
1	Black	黑
Conn.	Wire Color	
	Pin Out	

CC-02AFMM-QR8EXX

↑

XX: 01~99Meters
 01: 01Meter
 02: 02Meters
 ...
 99: 99Meters

- Note:
- * \varnothing Important Dimension To Check.
 - * Working Voltage Rating: 300V AC
 - * Working Current Rating: Max. 20A
 - * Waterproof Rate: IP68.(Mated)
(in 1 meter water within 24 hours)
 - * Connector: Nylon+GF, Black.
 - * Pin: Copper Alloy, Glod & Ni Plated.
 - * Lock Nut: Nylon+GF, Black.
 - * Cable: SJTW 12WG*2C, Black,
PVC Jacket, OD=10.7mm.
 - * Cable Length Tolerance: 01M:±40mm
 02M~05M:±60mm
 06M~10M:±100mm
 11M~30M:±200mm
 31M~99M:±500mm

UNIT:mm TOLERANCE ±0.5	TITLE X Lok C-Size 90° Cable 2 Pin 20A F Conn. M Pin			Amphenol LTW 安費諾亮泰企業股份有限公司	ITEM NO	DRAWN BY	DATE
	SCALE 6:5	SIZE A4	SHEET 1 OF 1		DWG NO CC-02AFMM-QR8EXX	CHECKED BY Fisher Wang	DATE 2018-09-30
	REV. C	WC-REV. A.3	\varnothing : Inspection item		CUSTOMER ALTW	APPROVED BY Kevin_Hu	DATE 2018-09-30