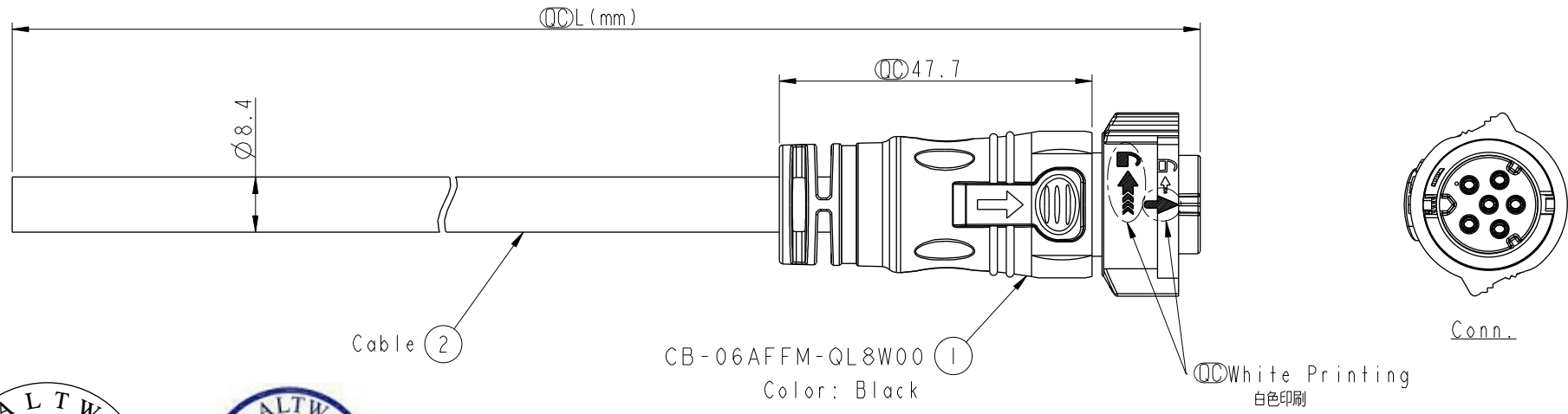


REV.	ECN NO.	DATE	SIGN	DESCRIPTION

THIS DOCUMENT IS SUBJECT TO CHANGE WITHOUT NOTICE. IT IS CONFIDENTIAL AND A PROPERTY OF Amphenol LTW. DISCLOSURE TO THIRD PARTY HAS TO BE AUTHORIZED BY Amphenol LTW.



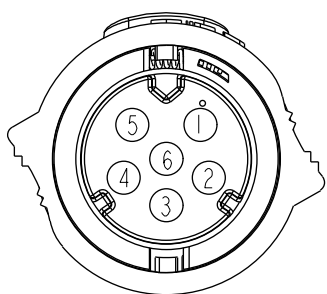
ALTW
CONFIDENTIAL
2014-11-18
R&D DEPT.

ALTW
DCC. DEPT.
CONFIDENTIAL
2015.03.23
ISSUED

CB-06AFFM-QL8W00
Color: Black


- Note:
- * \varnothing Important Dimension To Check.
 - * Working Voltage Rating: AC 300 V
 - * Working Current Rating: 10A
 - * Flame Class: UL94V-0 (UV Resistance)
 - * Waterproof Rate: IP68(Mated).
 - * Housing: Nylon+GF, Black.
 - * Female Pin: Copper Alloy, Gold Plated
 - * Cable: UL21388 16AWG*6C+AL.Mylar Black,PVC Jacket UV Resistant, OD=8.4
 - * Cable Length Tolerance: 01M:±40mm
02M~05M:±60mm
06M~10M:±100mm
11M~30M:±200mm
31M~99M:±500mm

CB-06AFFM-QL8DXX
 XX : 01~99Meters
 01 : 01Meter
 02 : 02Meters
 :
 :
 99 : 99Meters



Pin Assignments
Front View

6	Green	綠
5	Yellow	黃
4	Orange	橙
3	Red	紅
2	Brown	棕
1	Black	黑
Conn.	Wire Color	
	Pin Out	

UNIT:mm  
TOLERANCE ±0.5

TITLE X Lok C-Size Cable 6Pin 10A F Conn. F Pin			
SCALE 1:1	SIZE A4	SHEET 1 OF 1	
REV. A	WC-REV. A.3	\varnothing : Inspection item	

Amphenol LTW
安費諾亮泰企業股份有限公司

ITEM NO	DRAWN BY Micky	DATE 2014-11-18
DWG NO CB-06AFFM-QL8DXX	CHECKED BY Spring	DATE 2014-11-18
CUSTOMER ALTW	APPROVED BY Kevin	DATE 2014-11-18