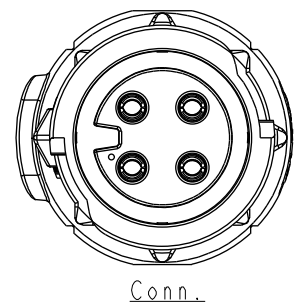
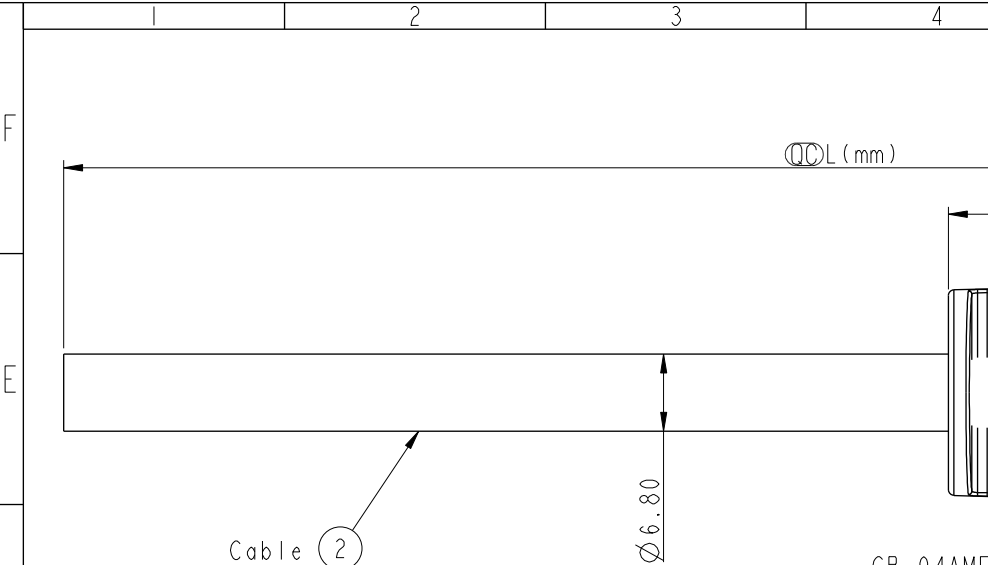
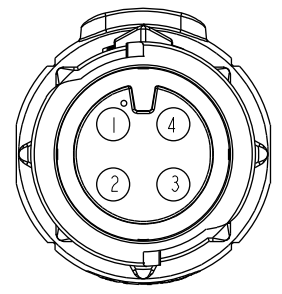
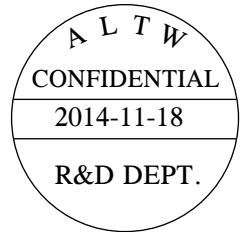


REV.	ECN NO.	DATE	SIGN	DESCRIPTION



CB-04AMFM-QL8W00
Color: Black



Pin Assignments
Front View

4	Orange	橙
3	Red	紅
2	Brown	棕
1	Black	黑
Conn.	Wire Color	
	Pin Out	

CB-04AMFM-QL8DXX

- XX : 01~99Meters
- 01 : 01Meter
- 02 : 02Meters
- :
- :
- 99 : 99Meters

- Note:
- * (C)C Important Dimension To Check.
 - * Working Voltage Rating: AC 300 V
 - * Working Current Rating: 10A
 - * Flame Class: UL94V-0 (UV Resistance)
 - * Waterproof Rate: IP68(Mated).
 - * Housing: Nylon+GF, Black.
 - * Female Pin: Copper Alloy, Gold Plated
 - * Cable: UL21388 16AWG*4C+AL.Mylar Black,PVC Jacket UV Resistant, OD=6.8
 - * Cable Length Tolerance: 01M:±40mm
 - 02M~05M:±60mm
 - 06M~10M:±100mm
 - 11M~30M:±200mm
 - 31M~99M:±500mm

UNIT:mm
TOLERANCE ±0.5

TITLE X Lok C-Size Cable 4Pin 10A M Conn. F Pin			
SCALE 3:2	SIZE A4	SHEET 1 OF 1	
REV. A	WC-REV. A.3	(C)C: Inspection item	

Amphenol LTW
安費諾亮泰企業股份有限公司

ITEM NO	DRAWN BY Micky	DATE 2014-11-18
DWG NO CB-04AMFM-QL8DXX	CHECKED BY Spring	DATE 2014-11-18
CUSTOMER ALTW	APPROVED BY Kevin	DATE 2014-11-18

THIS DOCUMENT IS SUBJECT TO CHANGE WITHOUT NOTICE. IT IS CONFIDENTIAL AND A PROPERTY OF Amphenol LTW. DISCLOSURE TO THIRD PARTY HAS TO BE AUTHORIZED BY Amphenol LTW.