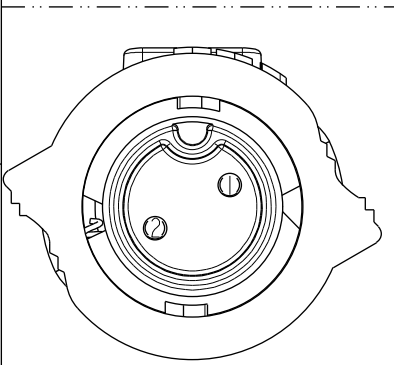
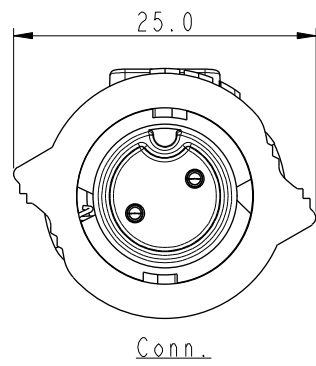
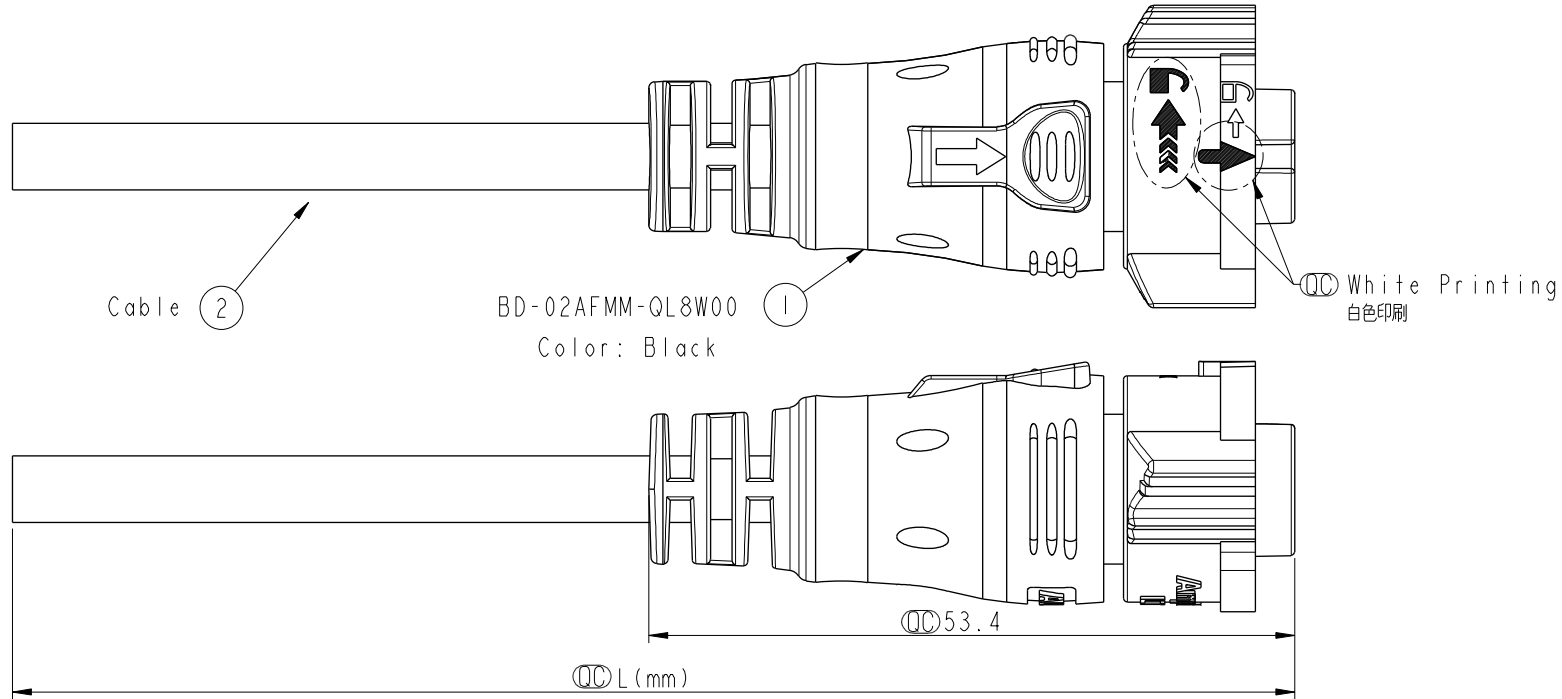
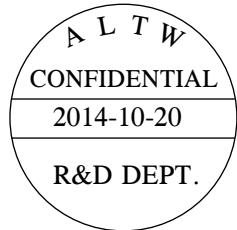


REV.	ECN NO.	DATE	SIGN	DESCRIPTION

THIS DOCUMENT IS SUBJECT TO CHANGE WITHOUT NOTICE. IT IS CONFIDENTIAL AND A PROPERTY OF AMPHENOL LTW. DISCLOSURE TO THIRD PARTY HAS TO BE AUTHORIZED BY AMPHENOL LTW.



BD-02AFMM-QL8DXX  
 ↑  
 XX : 01~99Meters  
 01 : 01Meter  
 02 : 02Meters  
 ...  
 99 : 99Meters  
 Cable Length(L): 01~99Meters

- Note:
- \* (⌀) Important Dimension To Check.
  - \* Waterproof Rate: IP68(Mated)
  - \* Working Voltage Rating: AC 300 V
  - \* Working Current Rating: 5A
  - \* Flame Class: UL94V-0 (UV Resistance)
  - \* Housing: Nylon+GF, Black.
  - \* Male Pin: Copper Alloy, Gold Plated.
  - \* Rubber: Silicone, Gray
  - \* Cable: UL21388 20AWG\*2C+AL+My  
PVC Jacket UV Resistant, OD=5.5, Black.
  - \* Cable Length Tolerance: 01M:±40mm  
02M~05M:±60mm  
06M~10M:±100mm  
11M~30M:±200mm  
31M~99M:±500mm

2	Brown	棕
1	Black	黑
Conn.	Wire Color	
	Pin Out	

UNIT:mm		
TOLERANCE	.X ±0.5	

TITLE X-Lok B-Size Molding F Conn M 2 Pin			
SCALE 8:5	SIZE A4	SHEET 1 OF 1	
REV. A	WC-REV. A.2	⌀: Inspection item	

**Amphenol LTW**  
 安費諾亮泰企業股份有限公司

ITEM NO	DWG NO	CUSTOMER	DRAWN BY	CHECKED BY	APPROVED BY	DATE
	BD-02AFMM-QL8DXX	ALTW	Micky	Spring	Kevin	2014-03-13

A B C D E F