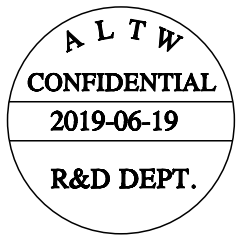
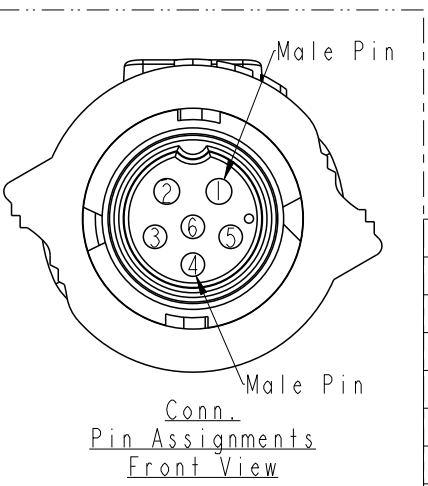
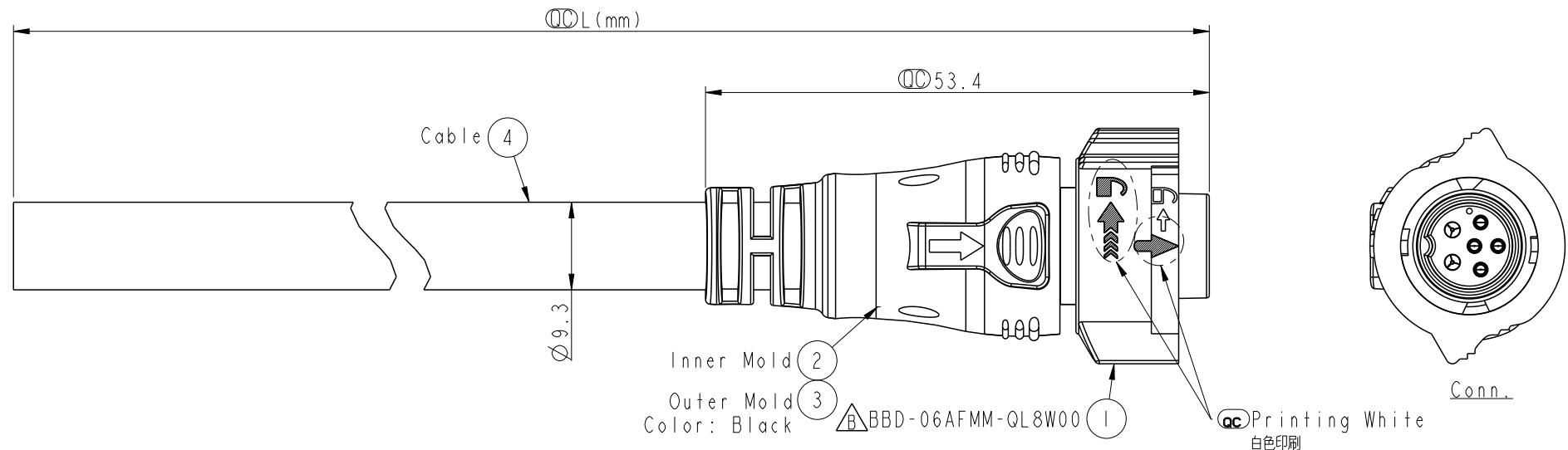


THIS DOCUMENT IS SUBJECT TO CHANGE WITHOUT NOTICE. IT IS CONFIDENTIAL AND A PROPERTY OF Amphenol LTW. DISCLOSURE TO THIRD PARTY HAS TO BE AUTHORIZED BY Amphenol LTW.

REV.	ECN NO.	DATE	SIGN	DESCRIPTION
A	Initial Release	2016/05/07	Spring	Change Rev.02 To Rev.A
B	CI91007	2019/06/19	Eric	Chnage Mark



6	Blue (26AWG)	藍	Twist 對線
5	Red (26AWG)	紅	
4	Green (26AWG)	綠	Twist 對線
3	White (26AWG)	白	
2	Black (16AWG)	黑	
1	White (16AWG)	白	
Conn.	Wire Color		
Pin Out			

BBD-06AFMM-QL8FXX  
 XX:01~99Meters  
 01:01Meter  
 02:01Meters  
 :  
 :  
 99:99Meters  
 Cable Length(L):01~99Meters

Note:  
 \*  $\varnothing$  Important Dimension To Check.  
 \* Waterproof Rate: IP68(Mated)  
 In 1 meter water within 24 hours  
 \* Working Voltage Rating:  
 Power: AC/DC 300V  
 Data: DC 30V  
 \* Working Current:  
 Power: 10A  
 Data: 05A  
 \* Housing: Nylon+GF, Black.  
 \* Pin: Copper Alloy, Gold Plated.  
 \* O-Ring: Silicone, Gray.  
 \* Cable: UL21996 16AWG\*2C+(26AWG\*2P+AL/MY)  
 +F+AL/MY, PVC Jacket, OD=9.3, Black.  
 \* Cable Length Tolerance: 01M: ±40mm  
 02M~05M: ±60mm  
 06M~10M: ±100mm  
 11M~30M: ±200mm  
 31M~99M: ±500mm

UNIT:mm TOLERANCE ±0.5mm	TITLE CIRCULAR, STANDARD, CABLE X-LOK (2+4)PIN F CONN M PIN			Amphenol LTW 安費諾亮泰企業股份有限公司	ITEM NO	DRAWN BY Eric	DATE 2019/06/19
	SCALE 3:2	SIZE A4	SHEET 1 OF 1		DWG NO BBD-06AFMM-QL8FXX	CHECKED BY Brady	DATE 2019/06/19
	REV. B	WC-REV. A.1	$\varnothing$ : Inspection item		CUSTOMER ALTW	APPROVED BY Neo	DATE 2019/06/19