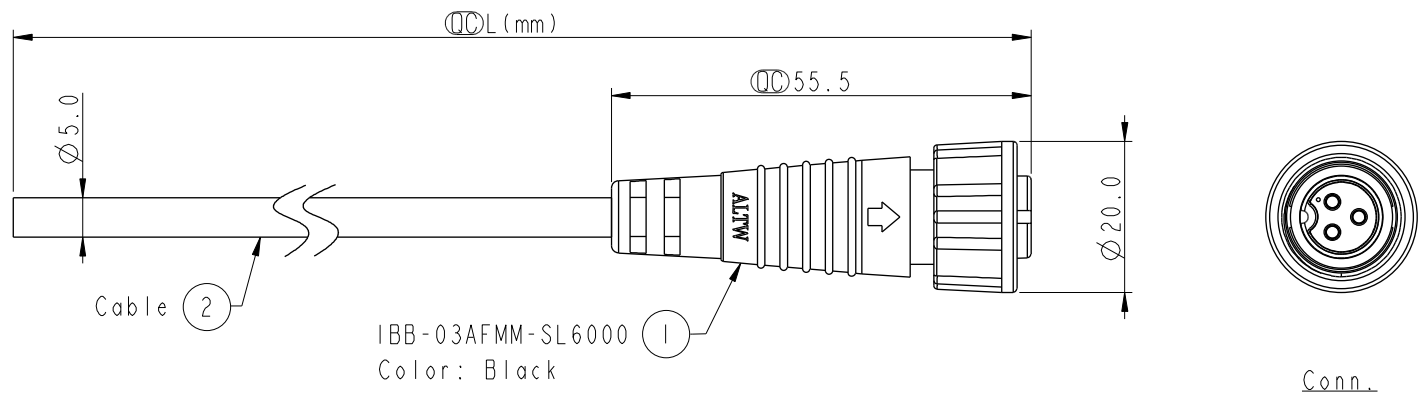
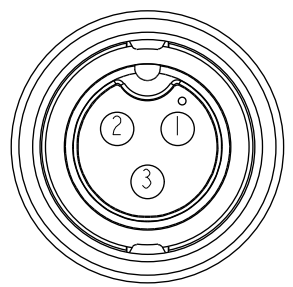


REV.	ECN NO.	DATE	SIGN	DESCRIPTION

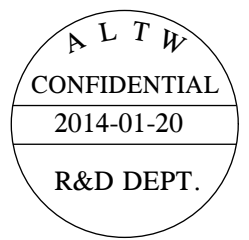


IBB-03AFMM-SL6000
Color: Black

Conn.



Pin Assignments
Front View



IBB-03AFMM-SL6AXX

- XX : 01~99Meters
- 01 : 01Meter
- 02 : 02Meters
- ...
- 99 : 99Meters

Cable Length(L): 01~99Meters

Note:

- * \varnothing Important Dimension To Check
- * Waterproof Rate: IP66
- * Housing: Nylon+GF, Black
- * Male Pin: Copper Alloy, Gold Plated
- * Cable: UL2464 20AWG*3C+D+AL/My
PVC Jacket UV Resistant, OD=5.0, Black
- * Cable Length Tolerance: 01M: ± 40 mm
02M~05M: ± 60 mm
06M~10M: ± 100 mm
11M~30M: ± 200 mm
31M~99M: ± 500 mm

3	Yellow	黄
2	White	白
1	Black	黑
Conn.	Wire Color	
Pin Out		

UNIT:mm	
TOLERANCE	± 0.5 mm

TITLE STANDARD CNC PIN CABLE SCREW 3PIN F CONN M PIN			
SCALE 1:1	SIZE A4	SHEET 1 OF 1	
REV. A	WC-REV. A.1	\varnothing : Inspection item	

Amphenol LTW
安費諾亮泰企業股份有限公司

ITEM NO	DRAWN BY Ruru	DATE 2014-01-20
DWG NO IBB-03AFMM-SL6AXX	CHECKED BY Tony	DATE 2014-01-20
CUSTOMER ALTW	APPROVED BY Victor	DATE 2014-01-20

THIS DOCUMENT IS SUBJECT TO CHANGE WITHOUT NOTICE. IT IS CONFIDENTIAL AND A PROPERTY OF Amphenol LTW. DISCLOSURE TO THIRD PARTY HAS TO BE AUTHORIZED BY Amphenol LTW.