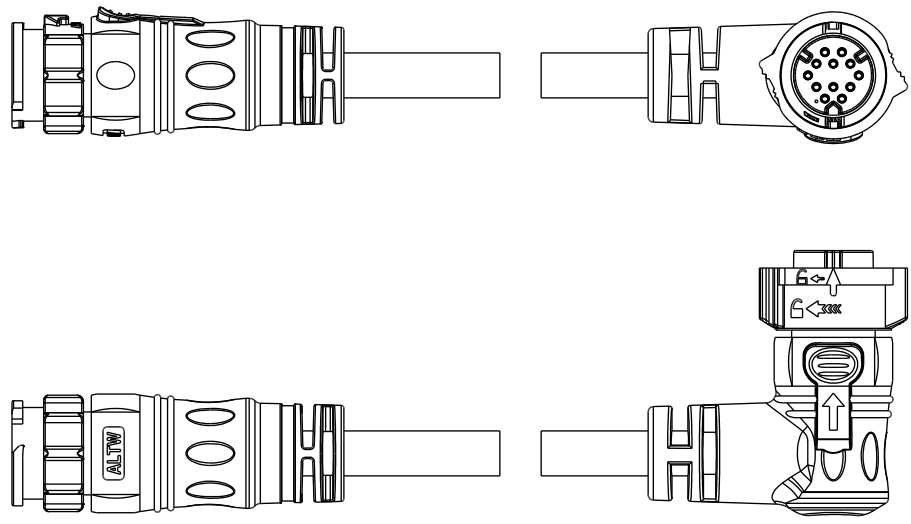
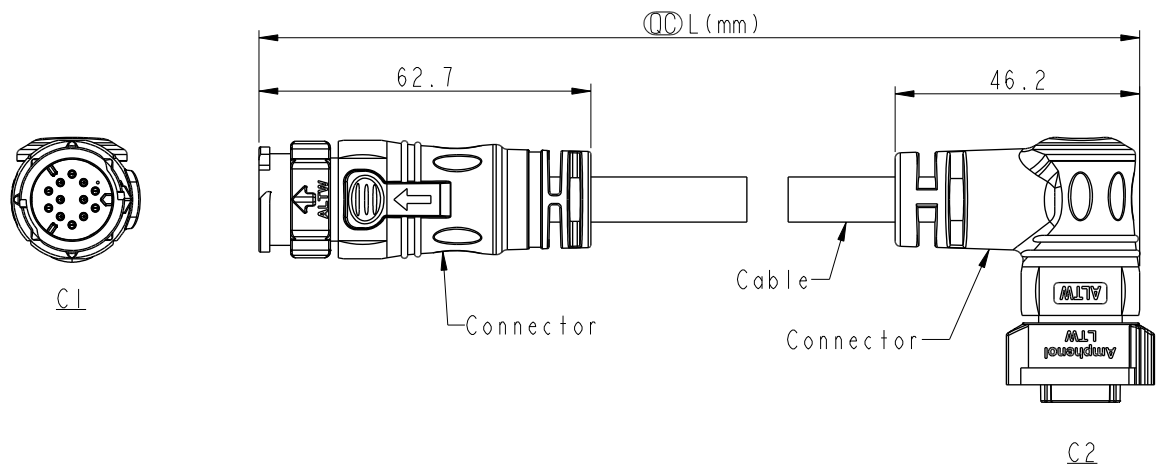


THIS DOCUMENT IS SUBJECT TO CHANGE WITHOUT NOTICE. IT IS CONFIDENTIAL AND A PROPERTY OF AMPHENOL LTW. DISCLOSURE TO THIRD PARTY HAS TO BE AUTHORIZED BY AMPHENOL LTW.

REV.	ECN NO.	DATE	SIGN	DESCRIPTION
A		2020/01/09	Ruru	Initial Released



Note:

- * ⌀ Important Dimension.
- * Waterproof Rate: IP68, Mated.
IP68: 1M depth of water in 24 hours.
- * Connector: Thermoplastic, Black.
- * Pin: Copper Alloy, Gold Plated.
- * Cable: UL21388, PVC Jacket, Black.
- * Cable Length Tolerance:
 - 0.5M: +60/-0mm
 - 01M: +60/-0mm
 - 02~03M: +120/-0mm
 - 04~05M: +160/-0mm
 - 06~10M: ±100mm
 - 11~20M: ±200mm
 - 21~30M: ±300mm
 - 31~99M: ±500mm

UNIT:mm		
TOLERANCE	±0.5 mm	

TITLE ACC, XLOK, C-5A, DB-ENDED MF		
SCALE 1:2	SIZE A4	SHEET 1 OF 2
REV. A	WC-REV.	⌀ : Inspection item

Amphenol LTW
安費諾亮泰企業股份有限公司

ITEM NO.	DRAWN BY Ruru	DATE 2020-01-09
DWG NO. AB-CDXXML-CDFR-QDXXX	CHECKED BY Rita	DATE 2020-01-09
CUSTOMER ALTW	APPROVED BY Max	DATE 2020-01-09

THIS DOCUMENT IS SUBJECT TO CHANGE WITHOUT NOTICE. IT IS CONFIDENTIAL AND A PROPERTY OF AMPHENOL LTW. DISCLOSURE TO THIRD PARTY HAS TO BE AUTHORIZED BY AMPHENOL LTW.

	2	3	4	5	6	7	8		
F	AB- CC XX M L - CC F R - Q D XXX				12P	PVC	8.5	20	AB-CD12ML-CDFR-QDXXX
					10P		8.5		AB-CD10ML-CDFR-QDXXX
					9P		7.6		AB-CD09ML-CDFR-QDXXX
					8P		7.2		AB-CD08ML-CDFR-QDXXX
					7P		6.8		AB-CD07ML-CDFR-QDXXX
					Contacts	Cable Jacket	Cable OD	AWG	Item No.

07: 7Pin
08: 8Pin
09: 9Pin
10: 10Pin
12: 12Pin

XXX: 0.5~99Meters
A05: 0.5 Meter
001: 01 Meter
002: 02 Meters
:
099: 99 Meters

	2	3	4	5	6	7	8
E					12	Light Green	淡綠
					11	Pink	粉紅
D					10	White	白
					9	Gray	灰
					8	Purple	紫
					7	Blue	藍
					6	Green	綠
					5	Yellow	黃
					4	Orange	橙
					3	Red	紅
					2	Brown	棕
					1	Black	黑
					9	Brown	棕
					8	Green	綠
					7	Orange	橙
					6	Blue	藍
					5	Purple	紫
					4	Yellow	黃
					3	Black	黑
					2	Red	紅
					1	Gray	灰
					10	White	白
					9	Gray	灰
					8	Purple	紫
					7	Blue	藍
					6	Green	綠
					5	Yellow	黃
					4	Orange	橙
					3	Red	紅
					2	Brown	棕
					1	Black	黑
					12	Light Green	淡綠
					11	Pink	粉紅
					10	White	白
					9	Gray	灰
					8	Purple	紫
					7	Blue	藍
					6	Green	綠
					5	Yellow	黃
					4	Orange	橙
					3	Red	紅
					2	Brown	棕
					1	Black	黑
					Pin #	Wire	
C	C2						
		7P	8P	9P	10P	12P	
B	C1						
		7P	8P	9P	10P	12P	
	Pin Assignments Front View						

A	UNIT:mm		TOLERANCE ± 0.5 mm	TITLE ACC, XLOK, C-5A, DB-ENDED MF	SCALE 1:2	SIZE A4	SHEET 2 OF 2	REV. A	WC-REV.	QC: Inspection item	ITEM NO AB-CDXXML-CDFR-QDXXX	DRAWN BY Ruru	DATE 2020-01-09
	Amphenol LTW 安費諾亮泰企業股份有限公司				CUSTOMER ALTW	CHECKED BY Rita	DATE 2020-01-09	APPROVED BY Max	DATE 2020-01-09	8	W10814-03-0001A2		