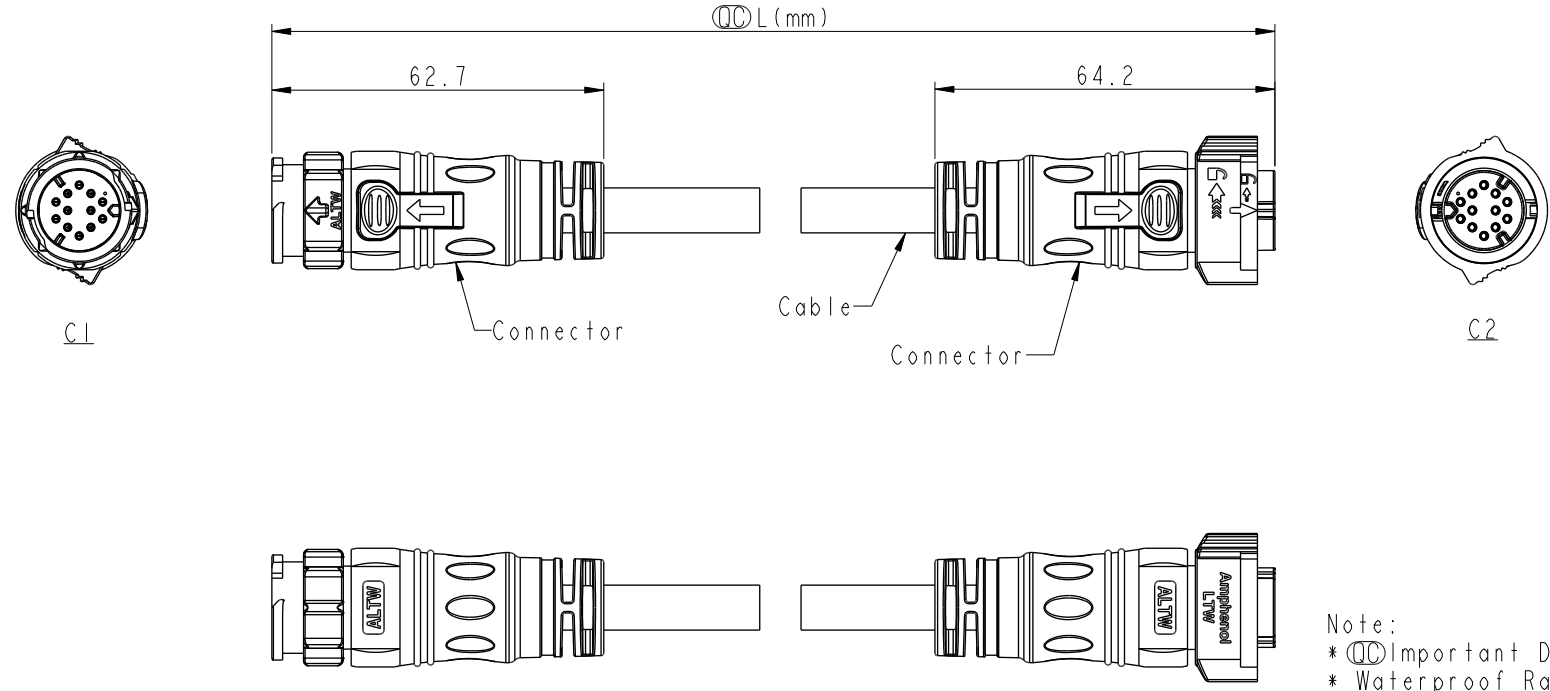


THIS DOCUMENT IS SUBJECT TO CHANGE WITHOUT NOTICE. IT IS CONFIDENTIAL AND A PROPERTY OF Amphenol LTW. DISCLOSURE TO THIRD PARTY HAS TO BE AUTHORIZED BY Amphenol LTW.

REV.	ECN NO.	DATE	SIGN	DESCRIPTION
A		2020/01/09	Ruru	Initial Released



Note:

- * ⌀ Important Dimension.
- * Waterproof Rate: IP68, Mated.
IP68: 1M depth of water in 24 hours.
- * Connector: Thermoplastic, Black.
- * Pin: Copper Alloy, Gold Plated.
- * Cable: UL21388, PVC Jacket, Black.
- * Cable Length Tolerance: 0.5M: +60/-0mm
01M: +60/-0mm
02~03M: +120/-0mm
04~05M: +160/-0mm
06~10M: ±100mm
11~20M: ±200mm
21~30M: ±300mm
31~99M: ±500mm

UNIT: mm		TITLE	ACC, XLOK, C-5A, DB-ENDED MF	
TOLERANCE	±0.5 mm	SCALE	1:2	SIZE A4
		REV.	A	WC-REV.
				⌀ : Inspection item

Amphenol LTW
安費諾亮泰企業股份有限公司

ITEM NO.	DRAWN BY	DATE
	Ruru	2020-01-09
DWG NO.	CHECKED BY	DATE
AB-CDXXML-CDFL-QDXXX	Rita	2020-01-09
CUSTOMER	APPROVED BY	DATE
ALTW	Max	2020-01-09

THIS DOCUMENT IS SUBJECT TO CHANGE WITHOUT NOTICE. IT IS CONFIDENTIAL AND A PROPERTY OF AMPHENOL LTW. DISCLOSURE TO THIRD PARTY HAS TO BE AUTHORIZED BY AMPHENOL LTW.

	2	3	4	5	6	7	8		
F	AB- CC XX M L - CC F L - Q D XXX				12P	PVC	8.5	20	AB-CD12ML-CDFL-QDXXX
					10P		8.5		AB-CD10ML-CDFL-QDXXX
					9P		7.6		AB-CD09ML-CDFL-QDXXX
					8P		7.2		AB-CD08ML-CDFL-QDXXX
					7P		6.8		AB-CD07ML-CDFL-QDXXX
					Contacts	Cable Jacket	Cable OD	AWG	Item No.

07: 7Pin
08: 8Pin
09: 9Pin
10: 10Pin
12: 12Pin

XXX: 0.5~99Meters
A05: 0.5 Meter
001: 01 Meter
002: 02 Meters
:
099: 99 Meters

E								
D	Pin Out							
	7 Orange 橙 6 Blue 藍 8 Green 綠 4 Yellow 黃 3 Black 黑 2 Red 紅 1 Brown 棕	7 Orange 橙 6 Blue 藍 5 Purple 紫 4 Yellow 黃 3 Black 黑 2 Red 紅 1 Brown 棕	8 Green 綠 7 Orange 橙 6 Blue 藍 5 Purple 紫 4 Yellow 黃 3 Black 黑 2 Red 紅 1 Brown 棕	9 Brown 棕 8 Green 綠 7 Orange 橙 6 Blue 藍 5 Purple 紫 4 Yellow 黃 3 Black 黑 2 Red 紅 1 Gray 灰	10 White 白 9 Gray 灰 8 Purple 紫 7 Blue 藍 6 Green 綠 5 Yellow 黃 4 Orange 橙 3 Red 紅 2 Brown 棕 1 Black 黑	12 Light Green 淡綠 11 Pink 粉紅 10 White 白 9 Gray 灰 8 Purple 紫 7 Blue 藍 6 Green 綠 5 Yellow 黃 4 Orange 橙 3 Red 紅 2 Brown 棕 1 Black 黑		
	Pin # Wire	Pin # Wire	Pin # Wire	Pin # Wire	Pin # Wire	Pin # Wire		
C	C2							
		7P	8P	9P	10P	12P		
B	C1							
		7P	8P	9P	10P	12P		
	Pin Assignments Front View							

A	UNIT:mm			TITLE ACC, XLOK, C-5A, DB-ENDED MF	<h1 style="margin: 0;">Amphenol LTW</h1> <p style="margin: 0;">安費諾亮泰企業股份有限公司</p>	ITEM NO	DRAWN BY	DATE	
	TOLERANCE	± 0.5 mm		SCALE 1:2	SIZE A4	SHEET 2 OF 2	DWG NO AB-CDXXML-CDFL-QDXXX	CHECKED BY Rita	DATE 2020-01-09
		REV. A	WC-REV.	Inspection item		CUSTOMER ALTW	APPROVED BY Max	DATE 2020-01-09	
		2	3	4	5	6	7	8	