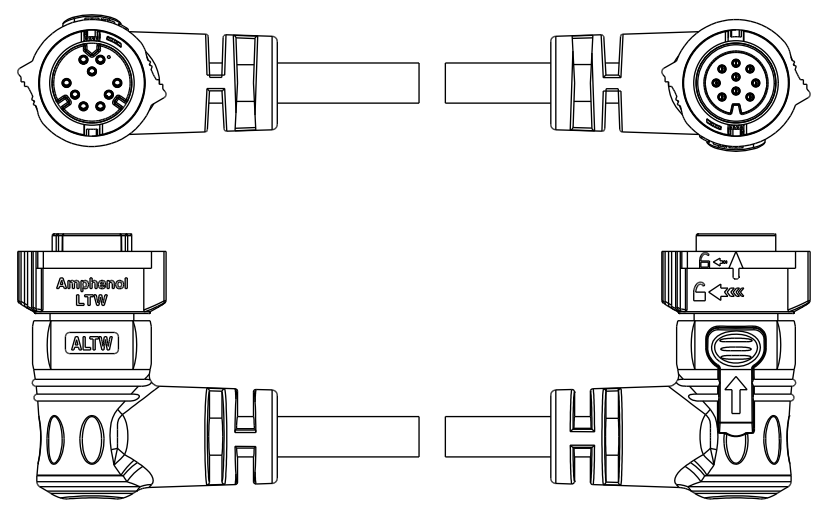
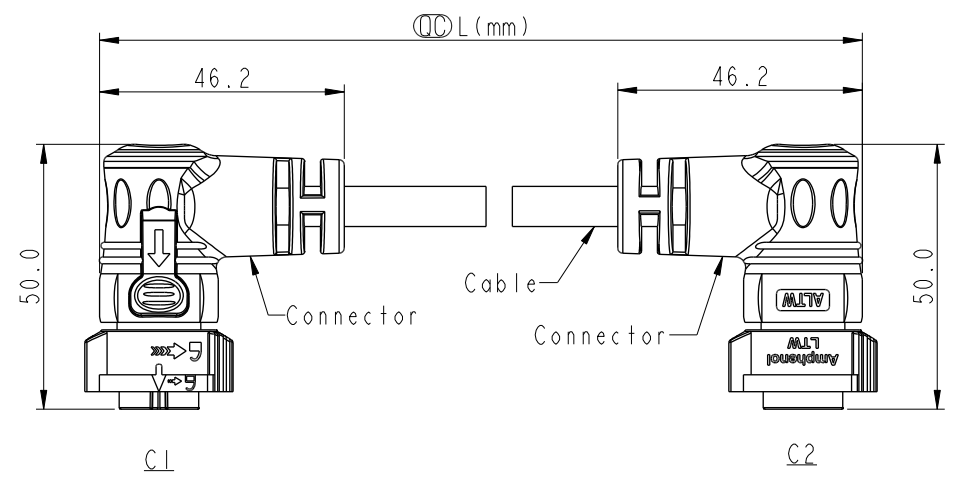


THIS DOCUMENT IS SUBJECT TO CHANGE WITHOUT NOTICE. IT IS CONFIDENTIAL AND A PROPERTY OF Amphenol LTW. DISCLOSURE TO THIRD PARTY HAS TO BE AUTHORIZED BY Amphenol LTW.

REV.	ECN NO.	DATE	SIGN	DESCRIPTION
A		2020/01/10	Ruru	Initial Released



- Note:
- * \varnothing Important Dimension.
 - * Waterproof Rate: IP68, Mated.
IP68: 1M depth of water in 24 hours.
 - * Connector: Thermoplastic, Black.
 - * Pin: Copper Alloy, Gold Plated.
 - * Cable: UL21388, PVC Jacket, Black.
 - * Cable Length Tolerance:
 - 0.5M: +60/-0mm
 - 01M: +60/-0mm
 - 02~03M: +120/-0mm
 - 04~05M: +160/-0mm
 - 06~10M: ±100mm
 - 11~20M: ±200mm
 - 21~30M: ±300mm
 - 31~99M: ±500mm

UNIT: mm		
TOLERANCE	±0.5 mm	

TITLE ACC, XLOK, C-5A, DB-ENDED FF		
SCALE 1:2	SIZE A4	SHEET 1 OF 2
REV. A	WC-REV.	\varnothing : Inspection item

Amphenol LTW
安費諾亮泰企業股份有限公司

ITEM NO.	DRAWN BY Ruru	DATE 2020-01-10
DWG NO. AB-CDXXFR-CDBR-QDXXX	CHECKED BY Rita	DATE 2020-01-10
CUSTOMER ALTW	APPROVED BY Max	DATE 2020-01-10

THIS DOCUMENT IS SUBJECT TO CHANGE WITHOUT NOTICE. IT IS CONFIDENTIAL AND A PROPERTY OF AMPHENOL LTW. DISCLOSURE TO THIRD PARTY HAS TO BE AUTHORIZED BY AMPHENOL LTW.

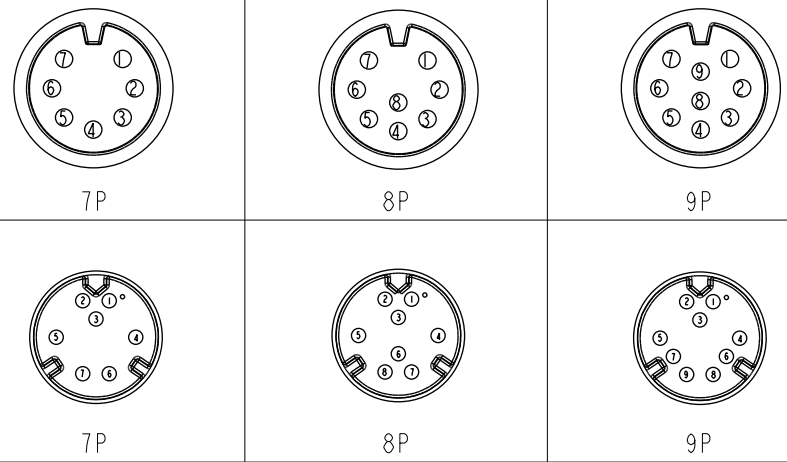
6		7		8	
9P	PVC	7.6	20	AB-CD09FR-CDBR-QDXXX	
8P		7.2		AB-CD09FR-CDBR-QDXXX	
7P		6.8		AB-CD09FR-CDBR-QDXXX	
Contacts	Cable Jacket	Cable OD	AWG	Item No.	

Pin Out	Pin #	Wire	Pin #	Wire	Pin #	Wire
7	7	Orange 橙	8	Green 綠	9	Brown 棕
6	7	Blue 藍	7	Orange 橙	8	Green 綠
8	6	Green 綠	6	Blue 藍	7	Orange 橙
4	5	Yellow 黃	5	Purple 紫	6	Blue 藍
3	4	Black 黑	4	Yellow 黃	5	Purple 紫
2	3	Red 紅	3	Black 黑	4	Yellow 黃
1	2	Brown 棕	2	Red 紅	3	Black 黑
	1		1	Brown 棕	2	Red 紅
					1	Gray 灰

AB- CC XX FR - CC BR - Q D XXX

07: 7Pin
08: 8Pin
09: 9Pin

XXX: 0.5~99Meters
A05: 0.5 Meter
001: 01 Meter
002: 02 Meters
:
099: 99 Meters



Pin Assignments Front View

UNIT:mm		TITLE
TOLERANCE	± 0.5 mm	ACC, XLOK, C-5A, DB-ENDED FF
SCALE	1:2	SIZE A4
REV.	A	SHEET 2 OF 2
		WC-REV.
		QC: Inspection item

Amphenol LTW
安費諾亮泰企業股份有限公司

ITEM NO	DRAWN BY	DATE
DWG NO	CHECKED BY	DATE
CUSTOMER	APPROVED BY	DATE
ALTW	Ruru Rita Max	2020-01-10 2020-01-10 2020-01-10