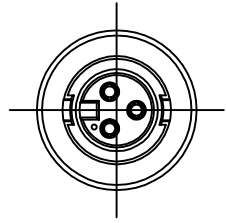
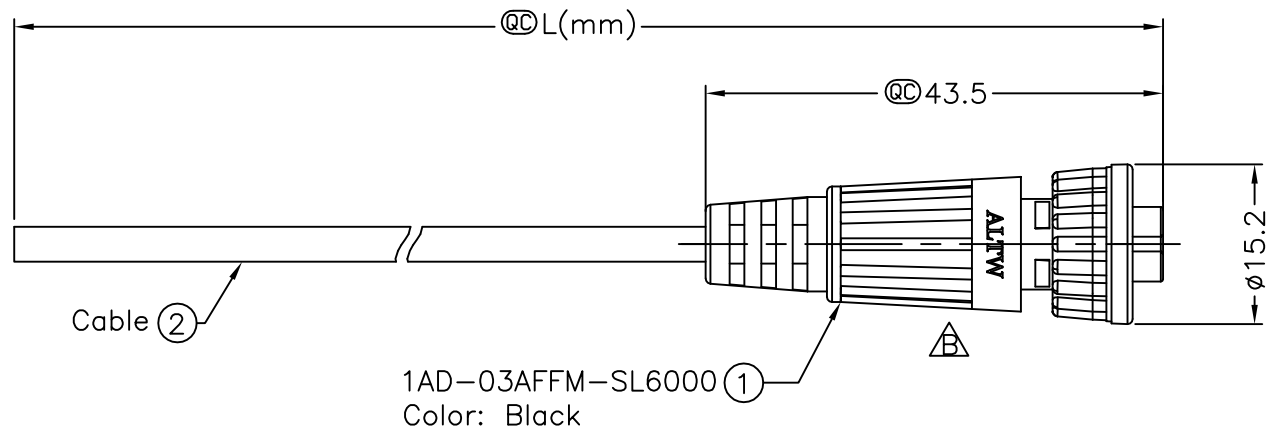


5	6	7	8
REV. B	ECN NO. LEN1430419	DATE 2014/03/11	SIGN Ruru
			DESCRIPTION Change the Appearance



Conn.



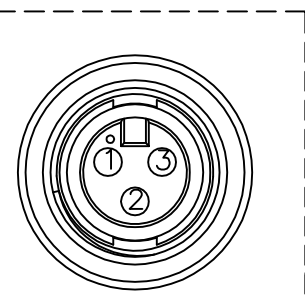
1AD-03AFFM-SL6AXX

- XX :01~99Meters
- 01 :01Meter
- 02 :02Meters
- ...
- 99 :99Meters

Cable Length(L):01~99Meters

- Note :
- * @@Important Dimension To Check.
 - * Waterproof Rate: IP66
 - * Housing: Nylon+GF, Black.
 - * Female Pin: Copper Alloy, Gold Plated.
 - * Cable: UL2464 24AWG*3C+D+AL/Wy PVC Jacket UV Resistant, OD=4.5, Black.
 - * Cable Length Tolerance: 01M:40mm

- 02M~05M: 60mm
- 06M~10M: 100mm
- 11M~30M: 200mm
- 31M~99M: 500mm



Pin Assignments Front View

3	Black	黑
2	Blue	藍
1	Brown	棕
Conn.	Wire Color	
Pin Out		

UNIT:mm	
TOLERANCE	±0.5 mm

TITLE		MINI CNC PIN	
CABLE SCREW 3PIN F CONN F PIN		SHEET 1 OF 1	
SCALE	Free	SHEET 1 OF 1	
REV. B	SIZE A4	@@ :Inspection Item	

Amphenol LTW
安費諾亮泰企業股份有限公司

ITEM NO	
DWG NO	1AD-03AFFM-SL6AXX
CUSTOMER	ALTW

DRAWN BY	Ruru
CHECKED BY	Tony
APPROVED BY	Victor

DATE	2014/03/11
DATE	2014/03/11
DATE	2014/03/11

THIS DOCUMENT IS SUBJECT TO CHANGE WITHOUT NOTICE. IT IS CONFIDENTIAL AND A PROPERTY OF Amphenol LTW. DISCLOSURE TO THIRD PARTY HAS TO BE AUTHORIZED BY Amphenol LTW.