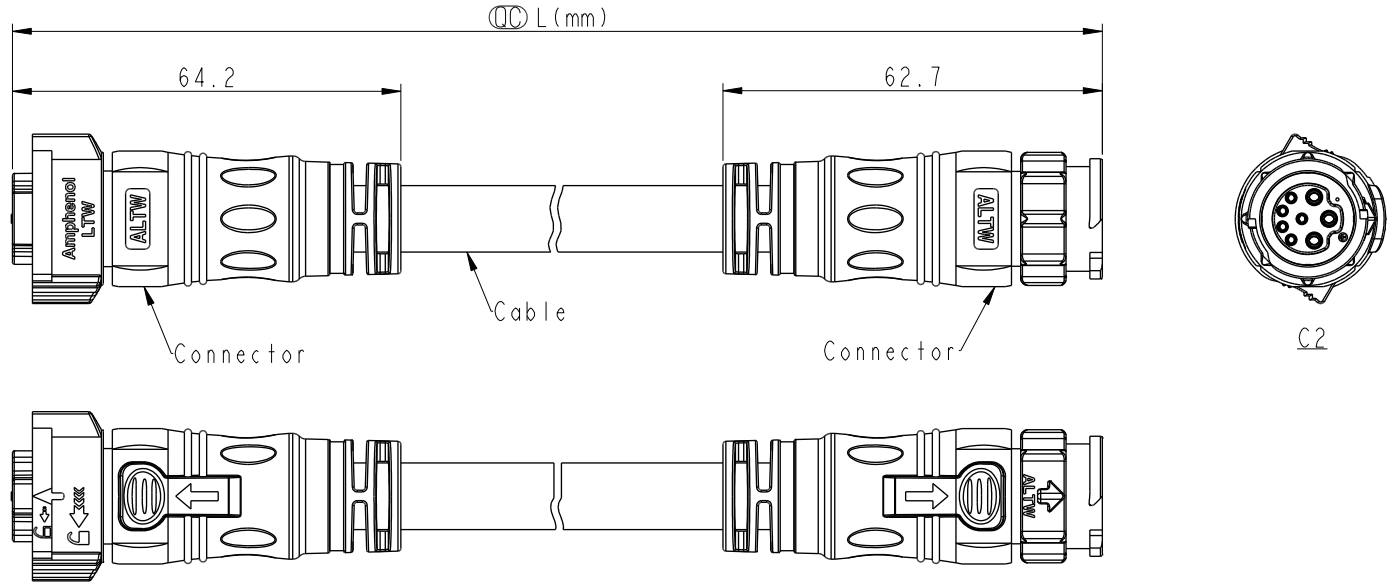
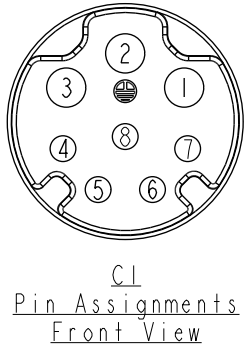


THIS DOCUMENT IS SUBJECT TO CHANGE WITHOUT NOTICE. IT IS CONFIDENTIAL AND A PROPERTY OF Amphenol LTW. DISCLOSURE TO THIRD PARTY HAS TO BE AUTHORIZED BY Amphenol LTW.

REV.	ECN NO.	DATE	SIGN	DESCRIPTION
A		2020/02/03	Vicky	Initial Released



C2
Pin Assignments
Front View



C1
Pin Assignments
Front View

8	Drain (26AWG)	地線	Twist 對線
7	Blue (26AWG)	藍	
6	Red (26AWG)	紅	Twist 對線
5	Green (26AWG)	綠	
4	White (26AWG)	白	
3	Black (16AWG)	黑	
2	Green (16AWG)	綠	
1	White (16AWG)	白	
C1 & C2	Wire Color		
Pin Out			

AB-CBD XX FL-CBDHL-QF XXX
08: 8Pin

Note:
* \varnothing Important Dimension
* Waterproof Rate: IP68, Mated
IP68: 1M depth of water in 24hours
* Connector: Thermoplastic, Black
* Pin: Copper Alloy, Gold Plated
* Cable: UL21996, 16#*3C+(26#*2P+D+AL/MY)+AL/MY,
PVC Jacket, Black, OD11.0mm
* Cable Length Tolerance: 0.5M: +60/-0mm
01M: +60/-0mm
02~03M: +120/-0mm
04~05M: +160/-0mm
06~10M: ±100mm
11~20M: ±200mm
21~30M: ±300mm
31~99M: ±500mm

UNIT:mm	
TOLERANCE	±0.5mm

TITLE ACC, XLOK, C-10A+5A, DB-ENDED FM		
SCALE 33:100	SIZE A4	SHEET 1 OF 2
REV. A	WC-REV. A.5	\varnothing : Inspection item

Amphenol LTW
安費諾亮泰企業股份有限公司

ITEM NO	DRAWN BY Vicky	DATE 2020-02-03
DWG NO AB-CBDXXFL-CBDHL-QFXXX	CHECKED BY Rita	DATE 2020-02-03
CUSTOMER ALTW	APPROVED BY Max	DATE 2020-02-03