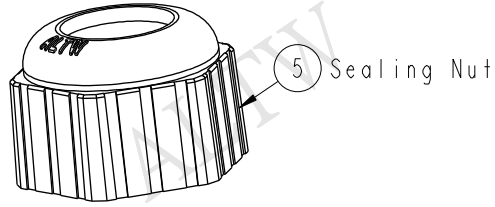
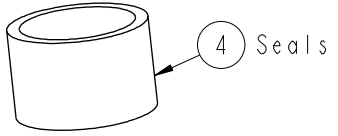


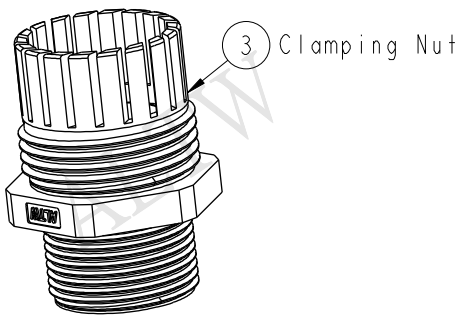
REV.	ECN NO.	DATE	SIGN	DESCRIPTION
B	LEN1570052	2015/06/01	Ruru	Change Logo



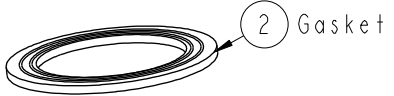
5 Sealing Nut



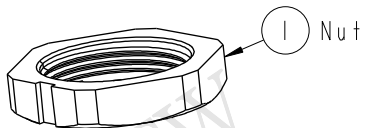
4 Seals



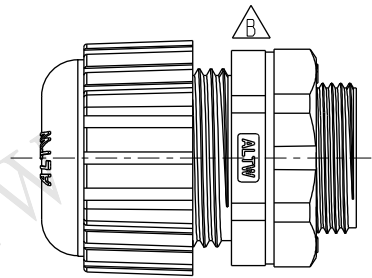
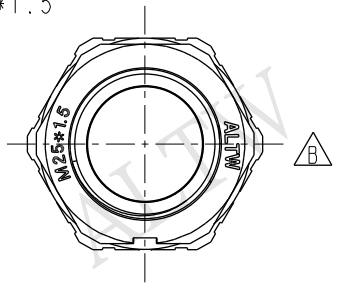
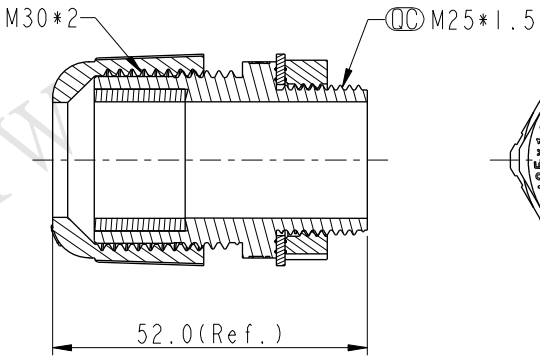
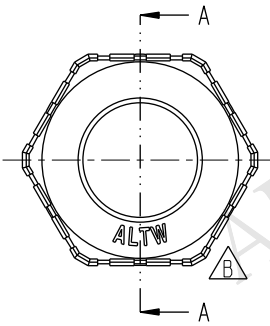
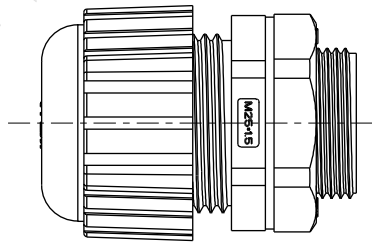
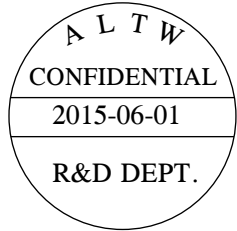
3 Clamping Nut



2 Gasket



1 Nut



Note:

- * \varnothing Important Dimension
- * Waterproof Rate: IP68
- * Gasket: EPDM, Black
- * Clamp Ring: Nylon, Black
- * Sealing Nut: Nylon, Black
- * Seals: EPDM, Black
- * Cable Range: \varnothing 13.0- \varnothing 18.0
- * For Panel Thickness max: 6.2mm

UNIT: mm		
TOLERANCE	.X ± 0.25	
	.XX ± 0.1	
	.XXX ± 0.05	
ANGLES	$\pm 1^\circ$	

TITLE M25 Cable Gland Assy Black For Long Type			
SCALE 3:5	SIZE A4	SHEET 1 OF 1	
REV. B	WC-REV. A.1	\varnothing : Inspection item	

Amphenol LTW
安費諾亮泰企業股份有限公司

ITEM NO CSG-25M003	DRAWN BY Ruru	DATE 2015-06-01
DWG NO CSG-25M003	CHECKED BY Rita	DATE 2015-06-01
CUSTOMER ALTW	APPROVED BY Lion	DATE 2015-06-01

THIS DOCUMENT IS SUBJECT TO CHANGE WITHOUT NOTICE. IT IS CONFIDENTIAL AND A PROPERTY OF AMPHENOL LTW. DISCLOSURE TO THIRD PARTY HAS TO BE AUTHORIZED BY AMPHENOL LTW.