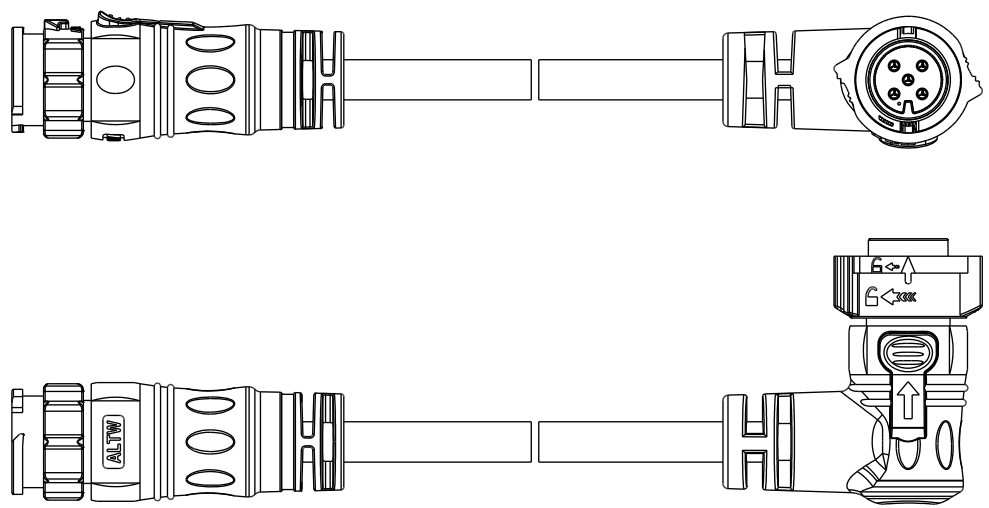
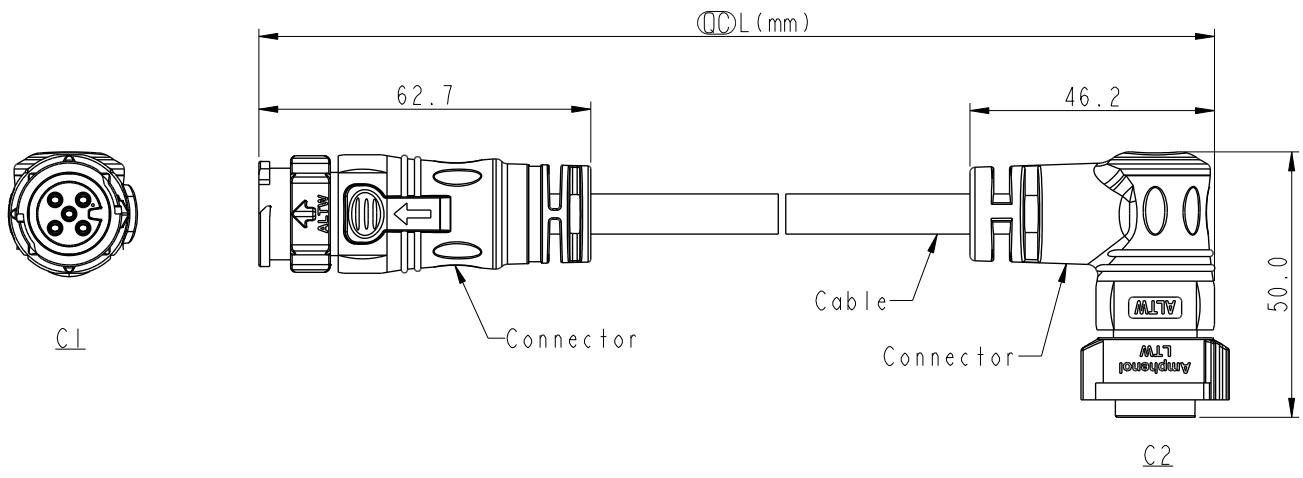


THIS DOCUMENT IS SUBJECT TO CHANGE WITHOUT NOTICE. IT IS CONFIDENTIAL AND A PROPERTY OF Amphenol LTW. DISCLOSURE TO THIRD PARTY HAS TO BE AUTHORIZED BY Amphenol LTW.

REV.	ECN NO.	DATE	SIGN	DESCRIPTION
A		2020/01/06	Ruru	Initial Released



- Note:
- * \varnothing Important Dimension.
 - * Waterproof Rate: IP68, Mated.
IP68: 1M depth of water in 24 hours.
 - * Connector: Thermoplastic, Black.
 - * Pin: Copper Alloy, Gold Plated.
 - * Cable: UL21388, PVC Jacket, Black.
 - * Cable Length Tolerance:
 - 0.5M: +60/-0mm
 - 01M: +60/-0mm
 - 02~03M: +120/-0mm
 - 04~05M: +160/-0mm
 - 06~10M: ±100mm
 - 11~20M: ±200mm
 - 21~30M: ±300mm
 - 31~99M: ±500mm

UNIT:mm		TITLE	ACC, XLOK, C-10A, DB-ENDED MF	
TOLERANCE	±0.5 mm	SCALE	1:2	SIZE A4
		REV.	A	WC-REV.
		SHEET	1	OF 2
		\varnothing : Inspection item		

Amphenol LTW
安費諾亮泰企業股份有限公司

ITEM NO.	DRAWN BY	DATE
	Ruru	2020-01-06
DWG NO.	CHECKED BY	DATE
AB-CBXXHL-CBBR-QDXXX	Rita	2020-01-06
CUSTOMER	APPROVED BY	DATE
ALTW	Max	2020-01-06

THIS DOCUMENT IS SUBJECT TO CHANGE WITHOUT NOTICE. IT IS CONFIDENTIAL AND A PROPERTY OF AMPHENOL LTW. DISCLOSURE TO THIRD PARTY HAS TO BE AUTHORIZED BY AMPHENOL LTW.

5P	PVC	7.6	16	AB-CB05HL-CBBR-QDXXX
4P		6.8		AB-CB04HL-CBBR-QDXXX
Contacts	Cable Jacket	Cable OD	AWG	Item No.

Pin Out	4	Orange	橙	5	Yellow	黃
	3	Red	紅	4	Orange	橙
	2	Brown	棕	3	Red	紅
	1	Black	黑	2	Brown	棕
				1	Black	黑
	Pin #	Wire		Pin #	Wire	
C2						
	4P			5P		
C1						
	4P			5P		
Pin Assignments Front View						

AB- CB XX H L - CB B R - Q D XXX

04: 4Pin
05: 5Pin

XXX: 0.5~99Meters
A05: 0.5 Meter
001: 01 Meter
002: 02 Meters
:
099: 99 Meters

UNIT:mm

TOLERANCE ± 0.5 mm

TITLE ACC, XLOK, C-10A, DB-ENDED MF

SCALE 1:2 SIZE A4 SHEET 2 OF 2

REV. A WC-REV. : Inspection item

Amphenol LTW
安費諾亮泰企業股份有限公司

ITEM NO	DRAWN BY Ruru	DATE 2020-01-06
DWG NO AB-CBXXHL-CBBR-QDXXX	CHECKED BY Rita	DATE 2020-01-06
CUSTOMER ALTW	APPROVED BY Max	DATE 2020-01-06