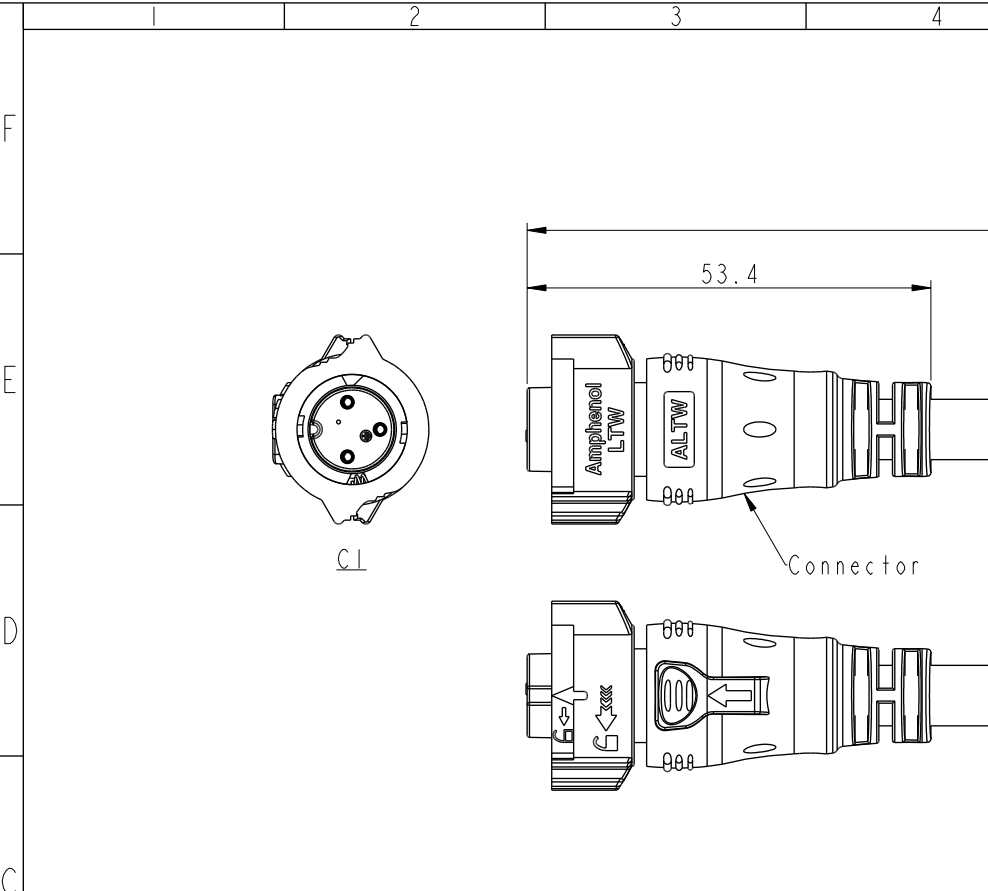


THIS DOCUMENT IS SUBJECT TO CHANGE WITHOUT NOTICE. IT IS CONFIDENTIAL AND A PROPERTY OF Amphenol LTW. DISCLOSURE TO THIRD PARTY HAS TO BE AUTHORIZED BY Amphenol LTW.

REV.	ECN NO.	DATE	SIGN	DESCRIPTION
A		2020/01/20	Vicky	Initial Released



Pin Out	3 White 2 Green 1 Black	白 綠 黑
	Pin #	Wire
C1 & C2		
Pin Assignments Front View		

AB-BD XX FL-BDFL-QE XXX

03: 3Pin

XXX: 0.5~99Meters  
 A05: 0.5 Meter  
 001: 01 Meter  
 002: 02 Meters  
 :  
 099: 99 Meters

- Note:
- \*  $\varnothing$  Important Dimension
  - \* Waterproof Rate: IP68, Mated  
IP68: 1M depth of water in 24hours
  - \* Connector: Thermoplastic, Black
  - \* Pin: Copper Alloy, Gold Plated
  - \* Cable: SJTW, 18#\*3C, PVC Jacket, Black, OD8.0mm
  - \* Cable Length Tolerance: 0.5M: +60/-0mm  
 01M: +60/-0mm  
 02~03M: +120/-0mm  
 04~05M: +160/-0mm  
 06~10M: ±100mm  
 11~20M: ±200mm  
 21~30M: ±300mm  
 31~99M: ±500mm

UNIT:mm		TITLE	ACC, XLOK, B-5A, DB-ENDED FF	<b>Amphenol LTW</b>		ITEM NO	DRAWN BY	DATE
TOLERANCE	±0.5mm	SCALE	1:2	SIZE	A4	DWG NO	CHECKED BY	DATE
		REV.	A	WC-REV.	A.5	AB-BDXXFL-BDFL-QEXXX	Rita	2020-01-20
				$\varnothing$ : Inspection item		CUSTOMER	APPROVED BY	DATE
						ALTW	Max	2020-01-20