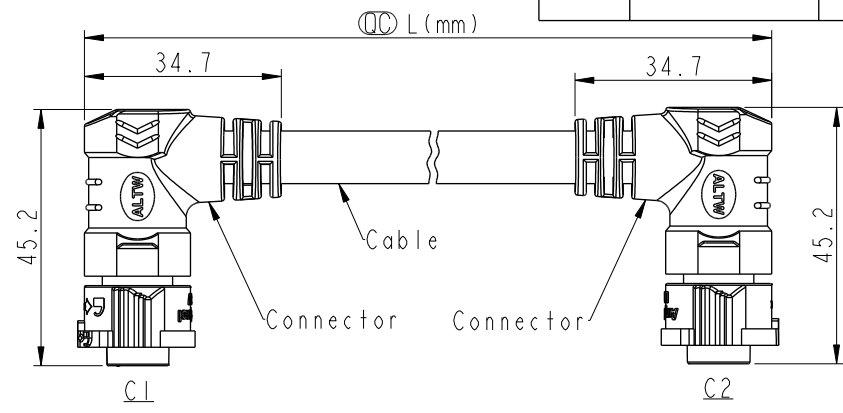


THIS DOCUMENT IS SUBJECT TO CHANGE WITHOUT NOTICE. IT IS CONFIDENTIAL AND A PROPERTY OF AMPHENOL LTW. DISCLOSURE TO THIRD PARTY HAS TO BE AUTHORIZED BY AMPHENOL LTW.

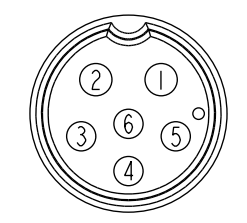
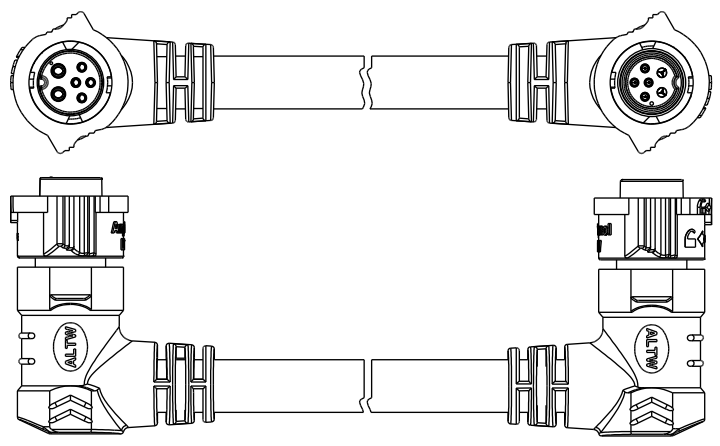
REV.	ECN NO.	DATE	SIGN	DESCRIPTION
A		2020/01/20	Vicky	Initial Released



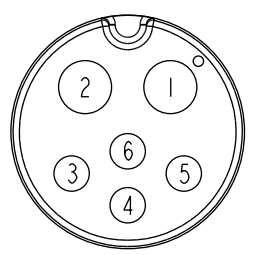
AB-BBD XX FR-BBDBR-QF XXX

06: 6Pin

XXX: 0.5~99Meters
 A05: 0.5 Meter
 001: 01 Meter
 002: 02 Meters
 :
 099: 99 Meters



C2
Pin Assignments
Front View



C1
Pin Assignments
Front View

6	Blue (26AWG)	藍	Twist 對線
5	Red (26AWG)	紅	
4	Green (26AWG)	綠	Twist 對線
3	White (26AWG)	白	
2	Black (16AWG)	黑	
1	White (16AWG)	白	
C1 & C2	Wire Color		
Pin Out			

Note:

- * \varnothing Important Dimension
- * Waterproof Rate: IP68, Mated
IP68: 1M depth of water in 24hours
- * Connector: Thermoplastic, Black
- * Pin: Copper Alloy, Gold Plated
- * Cable: UL21996, 16#*2C+AL/MY+(26#*2P+AL/MY), PVC Jacket, Black, OD9.3mm
- * Cable Length Tolerance: 0.5M: +60/-0mm
 01M: +60/-0mm
 02~03M: +120/-0mm
 04~05M: +160/-0mm
 06~10M: ±100mm
 11~20M: ±200mm
 21~30M: ±300mm
 31~99M: ±500mm

UNIT:mm

TOLERANCE
±0.5mm

TITLE ACC, XLOK, B-10A+5A, DB-ENDED FF			
SCALE 1:2	SIZE A4	SHEET 1 OF 1	
REV. A	WC-REV. A.5	\varnothing : Inspection item	

Amphenol LTW
安費諾亮泰企業股份有限公司

ITEM NO	DRAWN BY Vicky	DATE 2020-01-20
DWG NO AB-BBDXXFR-BBDBR-QFXXX	CHECKED BY Rita	DATE 2020-01-20
CUSTOMER ALTW	APPROVED BY Max	DATE 2020-01-20