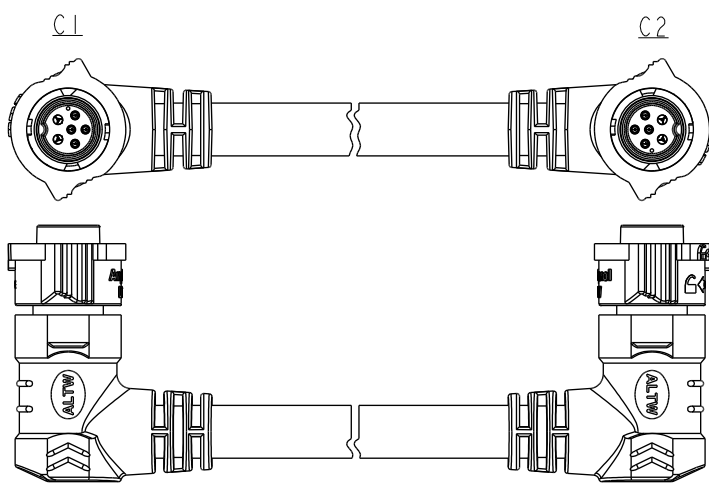
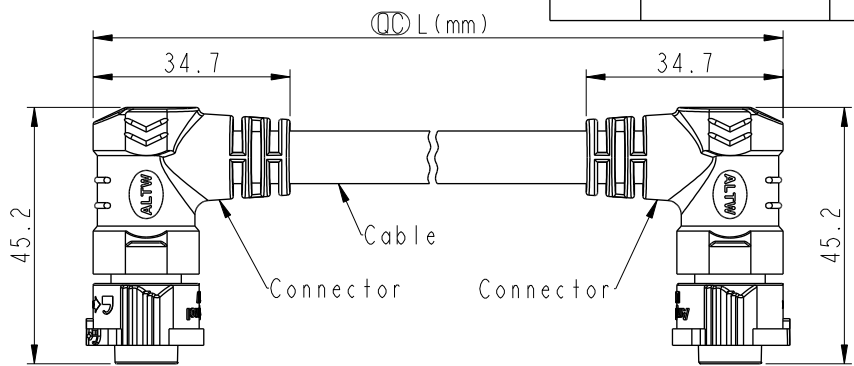


THIS DOCUMENT IS SUBJECT TO CHANGE WITHOUT NOTICE. IT IS CONFIDENTIAL AND A PROPERTY OF Amphenol LTW. DISCLOSURE TO THIRD PARTY HAS TO BE AUTHORIZED BY Amphenol LTW.

REV.	ECN NO.	DATE	SIGN	DESCRIPTION
A		2020/01/20	Vicky	Initial Released

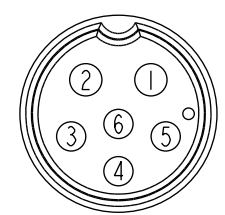


AB-BBD XX BR-BBDBR-QF XXX

06: 6Pin

XXX: 0.5~99Meters  
 A05: 0.5 Meter  
 001: 01 Meter  
 002: 02 Meters  
 :  
 099: 99 Meters

- Note:
- \*  $\varnothing$  Important Dimension
  - \* Waterproof Rate: IP68, Mated  
 IP68: 1M depth of water in 24hours
  - \* Connector: Thermoplastic, Black
  - \* Pin: Copper Alloy, Gold Plated
  - \* Cable: UL21996, 16#\*2C+AL/MY+(26#\*2P+AL/MY), PVC Jacket, Black, OD9.3mm
  - \* Cable Length Tolerance: 0.5M: +60/-0mm  
 01M: +60/-0mm  
 02~03M: +120/-0mm  
 04~05M: +160/-0mm  
 06~10M: ±100mm  
 11~20M: ±200mm  
 21~30M: ±300mm  
 31~99M: ±500mm



C1 & C2  
Pin Assignments  
Front View

6	Blue (26AWG)	藍	Twist 對線
5	Red (26AWG)	紅	
4	Green (26AWG)	綠	Twist 對線
3	White (26AWG)	白	
2	Black (16AWG)	黑	
1	White (16AWG)	白	
C1 & C2	Wire Color		
Pin Out			

UNIT:mm	$\varnothing$	
TOLERANCE	±0.5mm	

TITLE ACC, XLOK, B-10A+5A, DB-ENDED FF			
SCALE 1:2	SIZE A4	SHEET 1 OF 1	
REV. A	WC-REV. A.5	$\varnothing$ : Inspection item	

**Amphenol LTW**  
安費諾亮泰企業股份有限公司

ITEM NO	DRAWN BY Vicky	DATE 2020-01-20
DWG NO AB-BBDXXBR-BBDBR-QFXXX	CHECKED BY Rita	DATE 2020-01-20
CUSTOMER ALTW	APPROVED BY Max	DATE 2020-01-20