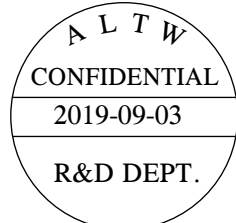
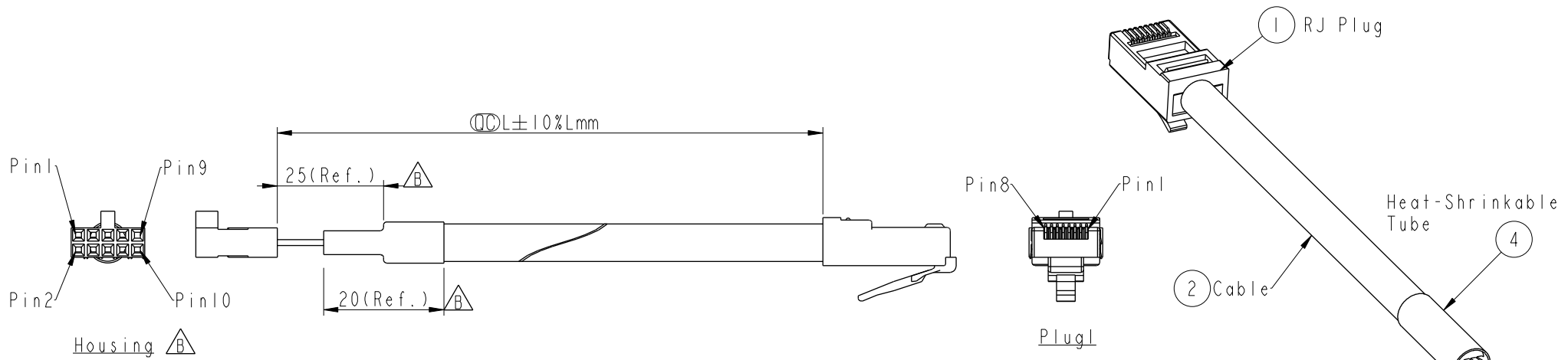


THIS DOCUMENT IS SUBJECT TO CHANGE WITHOUT NOTICE. IT IS CONFIDENTIAL AND A PROPERTY OF Amphenol LTW. DISCLOSURE TO THIRD PARTY HAS TO BE AUTHORIZED BY Amphenol LTW.

REV.	ECN NO.	DATE	SIGN	DESCRIPTION
B	LE313C0129	2013-12-10	Yulong_wang	Update The Drawing
C		2019-09-03	Ruru	Update code X0:1000mm To A0:1000mm



SPG06-CHOPI-BXX  
 XX: 100~1000mm  
 10: 100mm  
 15: 150mm  
 20: 200mm  
 |  
 95: 950mm  
 △ A0: 1000mm  
 Cable Length(L):100~1000mm

Note:  
 \* (C) Important Dimension To Check  
 \* Plug: 8P8C RJ45 Shield Plug.  
 \* Cable: CAT.5E 24#\*4P+T.M+D+AL:MY,OD6,BE  
 Cable Length Tolerance: ±10mm  
 △ \* Housing. :JWT A254IH02-2x5P Pitch=2.54

Shield	Drain	接地線	10	△
8	Brown	棕	8	
7	White/Brown	白/棕	7	
6	Green	綠	6	
5	White/Blue	白/藍	5	
4	Blue	藍	4	
3	White/Green	白/綠	3	
2	Orange	橙	2	
1	White/Orange	白/橙	1	
Plug	Wire Color	Housing		△
	Pin Out			

UNIT:mm		TITLE CPLRJ05G006+WCA0664UV01		<h1>Amphenol LTW</h1> <p>安費諾亮泰企業股份有限公司</p>	ITEM NO	DRAWN BY	DATE
		SCALE 1:1	SIZE A4		SHEET 1 OF 1	DWG NO SPG06-CHOPI-BXX	CHECKED BY Rita
TOLERANCE .X ±0.25 .XX ±0.1 .XXX ±0.05 ANGLES ±1°		REV. C	WC-REV. B.2	(C) Inspection item	CUSTOMER ALTW	APPROVED BY Max	DATE 2019-09-03