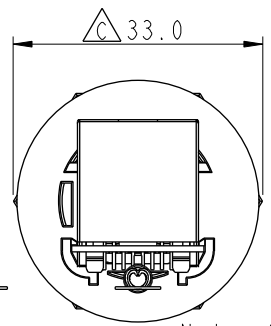
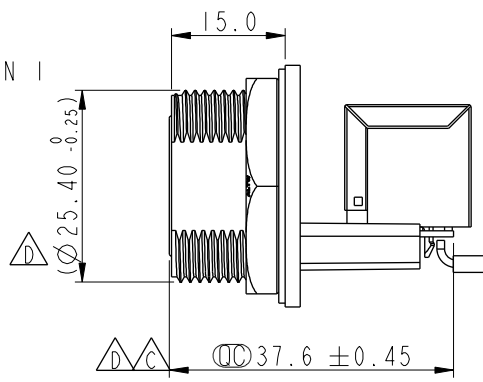
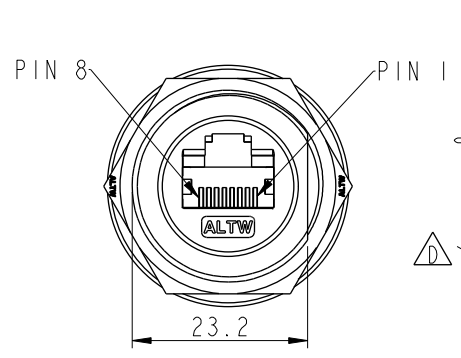
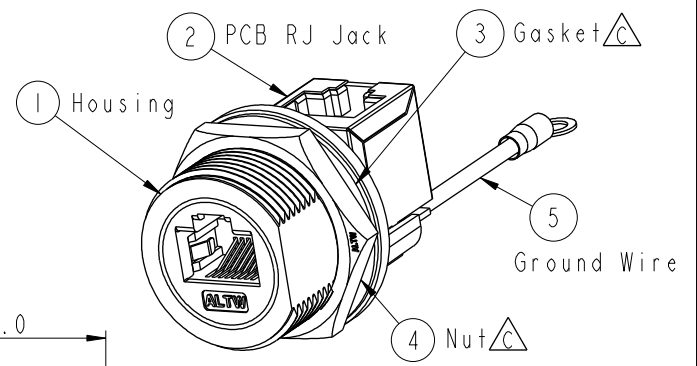
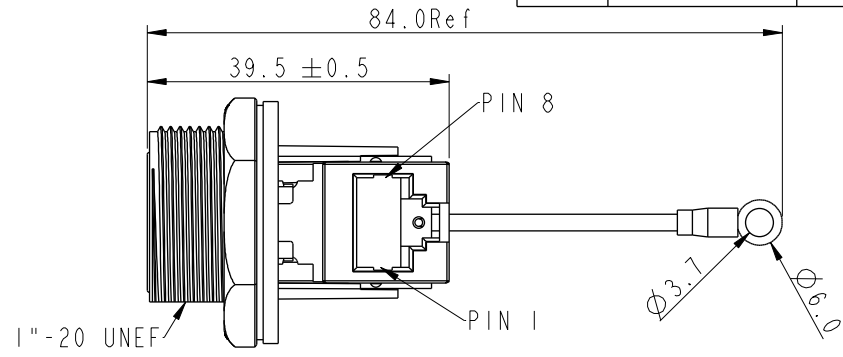
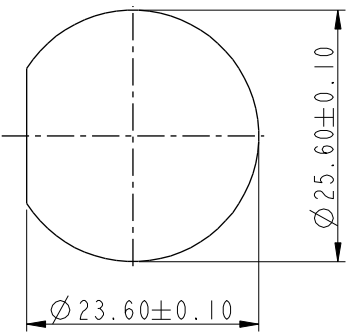
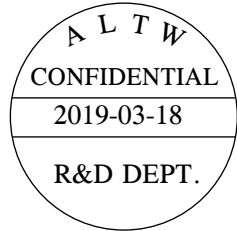


REV.	ECN NO.	DATE	SIGN	DESCRIPTION
D	LEN1810064	2017-11-29	Jalam	Change The Tolerance
E	CI90405	2019/03/18	Ruru	Modify Note



- Note:  $\triangle$
- \*  $\text{CC}$  Important Dimension
  - \* Waterproof Rate: IP67, Unmated
  - \* Housing: Thermoplastic, Black
  - \* Nut: Thermoplastic, Black
  - $\triangle$  \* Gasket: Rubber, Gray
  - \* PCB: FR-4
  - \* Ground Terminal: Copper Alloy, Tin Plated
  - $\triangle$  \* Jack: Thermoplastic, Black
  - \* Use with waterproof cap or dust cap for Panel Thickness Max: 2.4mm
  - \* Use without waterproof cap or dust cap for Panel Thickness Max: 3.6mm
  - \* Screw torsion value range: 8~15kgf-cm



Recommended Panel Cut-out Rear View

UNIT: mm		TITLE		ITEM NO		DRAWN BY		DATE	
		RJ45, D SIZE, UNMATED WATERPROOF ADD GROUND WIRE		RDP-5SPFFV-SCU7002		Ruru		2019-03-18	
		SCALE 1:1		SIZE A4	DWG NO RDP-5SPFFV-SCU7002		CHECKED BY Rita		DATE 2019-03-18
		REV. E		WC-REV. A.7	CUSTOMER ALTW		APPROVED BY Max		DATE 2019-03-18
TOLERANCE .X ±0.25 .XX ±0.1 .XXX ±0.05 ANGLES ±1°		SHEET 1 OF 1		$\text{CC}$ : Inspection item					

**Amphenol LTW**  
安費諾亮泰企業股份有限公司

THIS DOCUMENT IS SUBJECT TO CHANGE WITHOUT NOTICE. IT IS CONFIDENTIAL AND A PROPERTY OF Amphenol LTW. DISCLOSURE TO THIRD PARTY HAS TO BE AUTHORIZED BY Amphenol LTW.