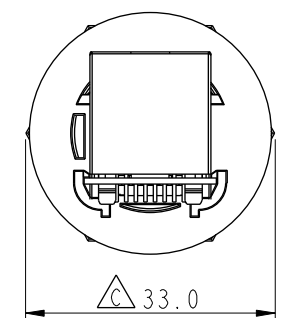
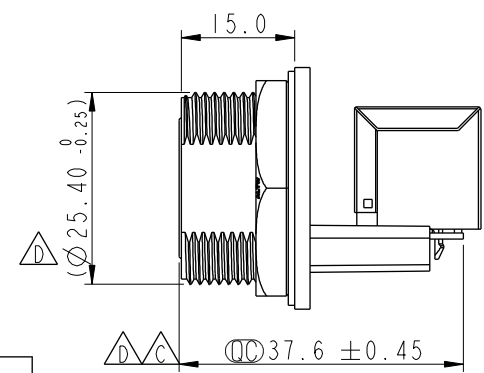
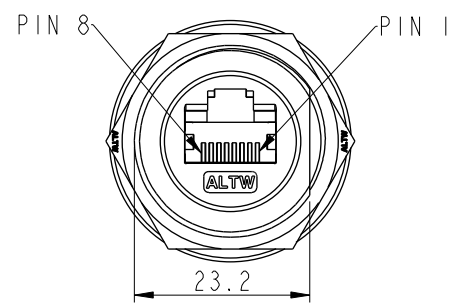
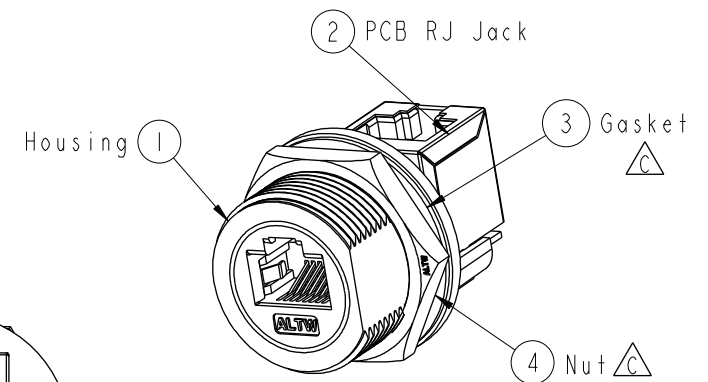
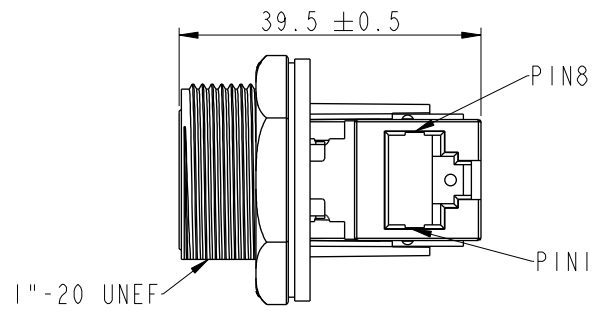
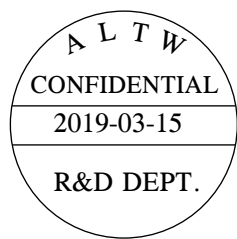
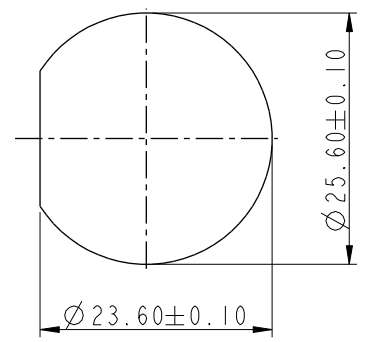


REV.	ECN NO.	DATE	SIGN	DESCRIPTION
D	LEN1810062	2017-11-29	Jalam	Change The Tolerance
E	CI90405	2019/03/15	Ruru	Modify Note



- Note:
- * CC Important Dimension
 - * Waterproof Rate : IP67, Unmated
 - * Housing: Thermoplastic, Black
 - * Nut: Thermoplastic, Black
 - * Gasket: Rubber, Gray
 - * PCB: FR-4
 - * Jack: Thermoplastic, Black
 - * Use with waterproof cap or dust cap for Panel Thickness Max: 2.4mm
 - * Use without waterproof cap or dust cap for Panel Thickness Max: 3.6mm
 - * Screw torsion value range: 8~15kgf-cm
 - * Gasket and Nut are packed separately in PE bags



Recommended Panel Cut-out Rear View

UNIT: mm		TITLE RJ45, D SIZE, WATERPROOF			ITEM NO RDP-5SPFFV-SCU7001		DRAWN BY Ruru		DATE 2019-03-15	
		TOLERANCE .X ±0.25 .XX ±0.1 .XXX ±0.05 ANGLES ±1°			SCALE 1:1	SIZE A4	SHEET 1	OF 1	CHECKED BY Rita	
		REV. E	WC-REV. A.8	Inspection item		CUSTOMER ALTW		APPROVED BY Max		DATE 2019-03-15

Amphenol LTW
安費諾亮泰企業股份有限公司

THIS DOCUMENT IS SUBJECT TO CHANGE WITHOUT NOTICE. IT IS CONFIDENTIAL AND A PROPERTY OF Amphenol LTW. DISCLOSURE TO THIRD PARTY HAS TO BE AUTHORIZED BY Amphenol LTW.