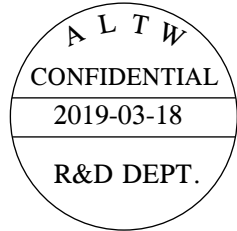
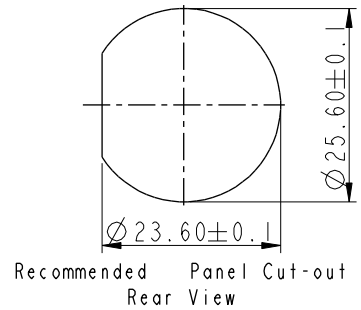
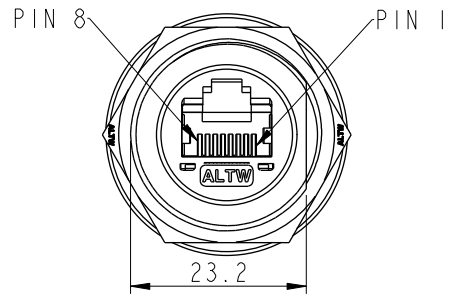
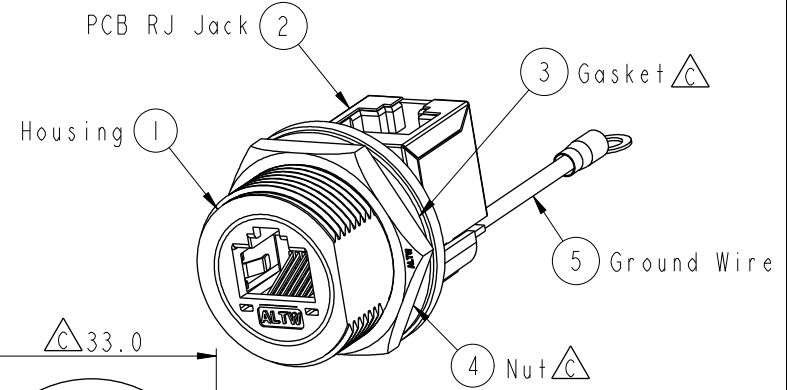
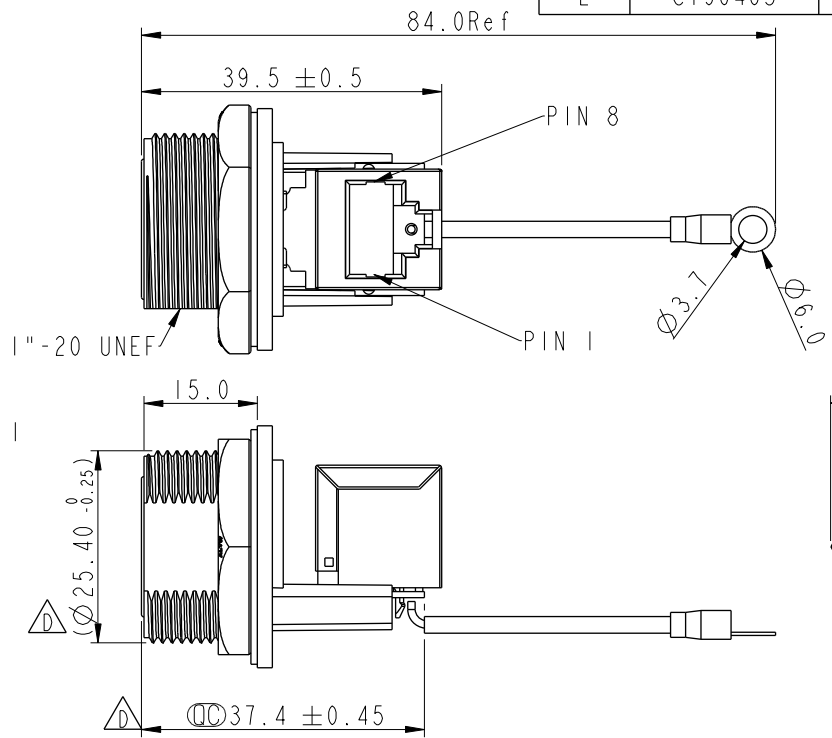


REV.	ECN NO.	DATE	SIGN	DESCRIPTION
D	LEN1810034	2017-11-29	Jalam	Modify The Tolerance
E	CI90405	2019/03/18	Ruru	Modify Note



- Note:  $\triangle$
- \*  $\odot$  Important Dimension
  - \* Waterproof Rate : IP67, Mated
  - \* Housing: Thermoplastic, Black
  - \* Nut: Thermoplastic, Black
  - $\triangle$  \* Gasket: Rubber, Gray
  - \* PCB: FR-4
  - \* Ground Terminal: Copper Alloy, Tin Plated
  - $\triangle$  \* Jack: Thermoplastic, Black
  - \* Use with waterproof cap or dust cap for Panel Thickness Max: 2.4mm
  - \* Use without waterproof cap or dust cap for Panel Thickness Max: 3.6mm
  - \* Screw torsion value range: 8~15kgf-cm

UNIT : mm		
TOLERANCE		
.X	±0.25	
.XX	±0.1	
.XXX	±0.05	
ANGLES	±1°	

TITLE RJ45, D SIZE, MATED WATERPROOF ADD GROUND WIRE			
SCALE 1:1	SIZE A4	SHEET 1 OF 1	
REV. E	WC-REV. A.7	$\odot$ : Inspection item	

**Amphenol LTW**  
安費諾亮泰企業股份有限公司

ITEM NO RDP-5SPFFV-SCM7002	DRAWN BY Ruru	DATE 2019-03-18
DWG NO RDP-5SPFFV-SCM7002	CHECKED BY Rita	DATE 2019-03-18
CUSTOMER ALTW	APPROVED BY Max	DATE 2019-03-18

THIS DOCUMENT IS SUBJECT TO CHANGE WITHOUT NOTICE. IT IS CONFIDENTIAL AND A PROPERTY OF Amphenol LTW. DISCLOSURE TO THIRD PARTY HAS TO BE AUTHORIZED BY Amphenol LTW.