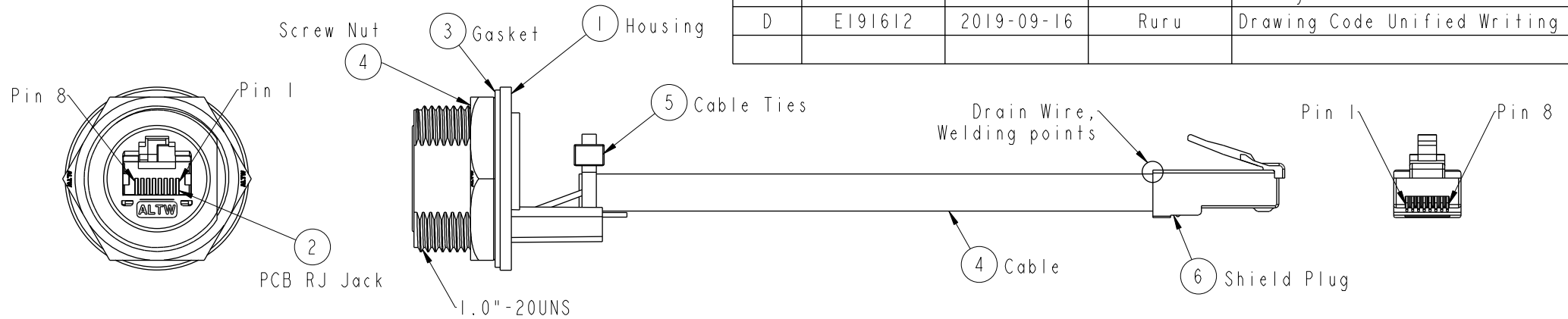


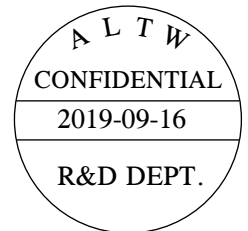
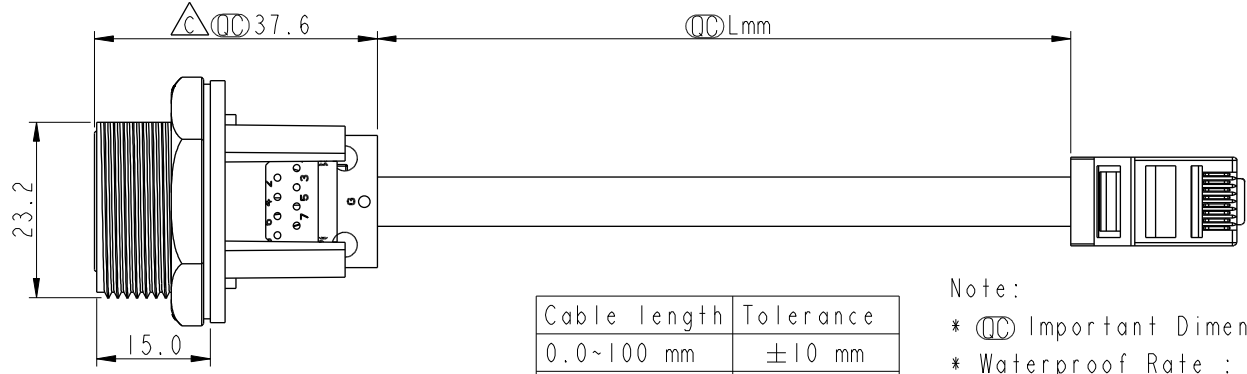
THIS DOCUMENT IS SUBJECT TO CHANGE WITHOUT NOTICE. IT IS CONFIDENTIAL AND A PROPERTY OF Amphenol LTW. DISCLOSURE TO THIRD PARTY HAS TO BE AUTHORIZED BY Amphenol LTW.

REV.	ECN NO.	DATE	SIGN	DESCRIPTION
C	LEN1810087	2017-11-29	Jalam	Modify The Tolerance
D	E191612	2019-09-16	Ruru	Drawing Code Unified Writing



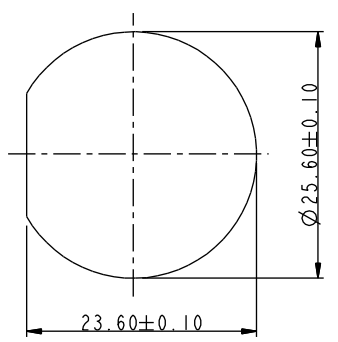
RDP-5SPFFP-SCM7BXX \triangle

10: 100mm
15: 150mm
20: 200mm
A0: 1000mm
Cable Pitch Unit=50mm
Cable Length(L): 100~1000mm



Cable length	Tolerance
0.0~100 mm	±10 mm
101~300 mm	±15 mm
301~1000 mm	±20 mm

- Note:
- * Ⓢ Important Dimension
 - * Waterproof Rate : IP67, MATED WATERPROOF
 - * Housing : Nylon+GF, BLACK
 - * Screw Nut : Nylon+GF, BLACK
 - * Gasket : Silicone, UL 94V-0, Gray.
 - * PCB: FR-4
 - * Cable: CAT5E FTP 24#*4P+D+AL/MY, 6.5
 - * Jack : PBT Polyester UL 94V-0
 - * Use with waterproof cap or dust cap for Panel Thickness Max: 2.4mm
 - * Use without waterproof cap or dust cap for Panel Thickness Max: 3.6mm
 - * Screw torsion value range: 8~15kgf-cm



Shield	Drain Wire	接地線	Shield	
8	Brown	棕	8	Twist
7	White/Brown	白/棕	7	
6	Green	綠	6	Twist
5	White/Blue	白/藍	5	
4	Blue	藍	4	Twist
3	White/Green	白/綠	3	
2	Orange	橘	2	Twist
1	White/Orange	白/橘	1	
Jack	Wire Color	Pin Out	Plug	

UNIT: mm

TOLERANCE

.X	±0.25
.XX	±0.1
.XXX	±0.05
ANGLES	±1°

TITLE: RJ45, D SIZE, MATED WATERPROOF

SCALE: 1:1 SIZE: A4 SHEET: 1 OF 1

REV. D WC-REV. A.5 Ⓢ : Inspection item

Amphenol LTW
安費諾亮泰企業股份有限公司

ITEM NO	DRAWN BY	DATE
	Ruru	2019-09-16
DWG NO	CHECKED BY	DATE
RDP-5SPFFP-SCM7BXX	Rita	2019-09-16
CUSTOMER	APPROVED BY	DATE
ALTW	Max	2019-09-16