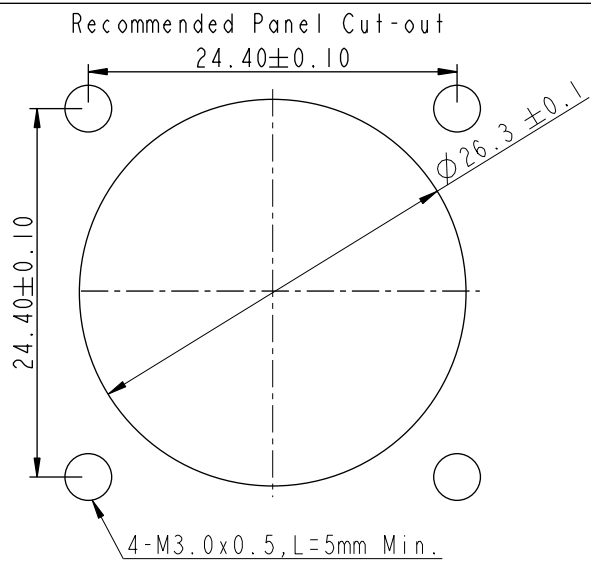
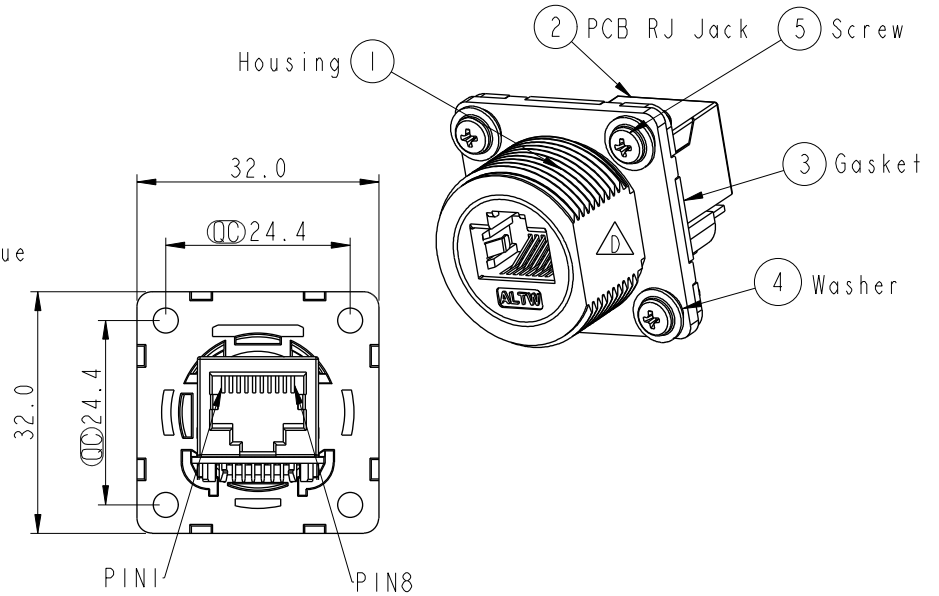
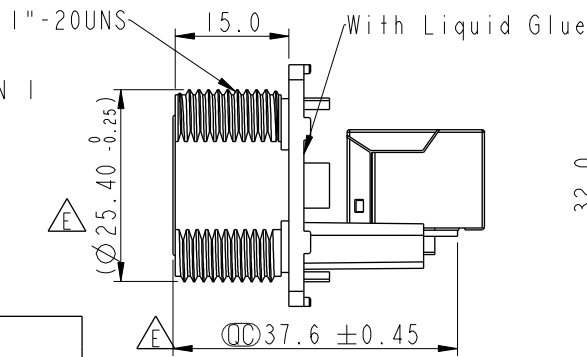
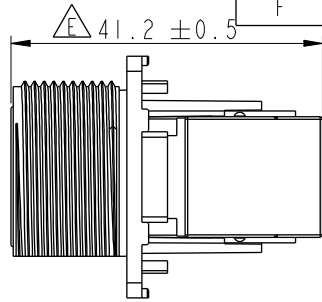
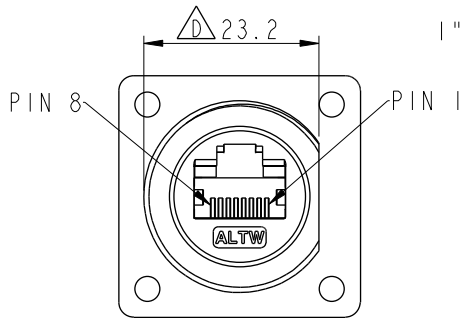


ALTW  
CONFIDENTIAL  
2019-03-15  
R&D DEPT.

REV.	ECN NO.	DATE	SIGN	DESCRIPTION
E	LEN1810073	2017-11-29	Jalam	Modify The Tolerance
F	CI90405	2019/03/15	Ruru	Modify Note



- Note:  $\triangle D$   $\triangle F$
- \*  $\text{CC}$  Important Dimension
  - \* Waterproof Rate: IP67, Unmated
  - \* Housing: Thermoplastic, Black
  - \* Screw : SUS30X,M3.0x0.5,L8.0
  - \* Gasket: Rubber, Gray
  - \* PCB: FR-4
  - \* Jack: Thermoplastic
  - \* Screw torsion value range: 3-3.5kgf-cm
  - \* Temperature Range: -40°C to 105°C

UNIT: mm			TITLE RJ45, D SIZE, UNMATED WATERPROOF SQUARE
TOLERANCE .X ±0.25 .XX ±0.1 .XXX ±0.05 ANGLES ±1°	SCALE 1:1	SIZE A4	SHEET 1 OF 2
	REV. F	WC-REV. C.5	$\text{CC}$ : Inspection item

**Amphenol LTW**  
安費諾亮泰企業股份有限公司

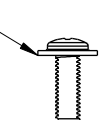
ITEM NO RDP-5SPFFH-SSU7001	DRAWN BY Ruru	DATE 2019-03-15
DWG NO RDP-5SPFFH-SSU7001	CHECKED BY Rita	DATE 2019-03-15
CUSTOMER ALTW	APPROVED BY Max	DATE 2019-03-15

THIS DOCUMENT IS SUBJECT TO CHANGE WITHOUT NOTICE. IT IS CONFIDENTIAL AND A PROPERTY OF AMPHENOL LTW. DISCLOSURE TO THIRD PARTY HAS TO BE AUTHORIZED BY AMPHENOL LTW.

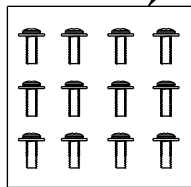
THIS DOCUMENT IS SUBJECT TO CHANGE WITHOUT NOTICE. IT IS CONFIDENTIAL AND A PROPERTY OF Amphenol LTW. DISCLOSURE TO THIRD PARTY HAS TO BE AUTHORIZED BY Amphenol LTW.

Packing

Screw



X576PCS



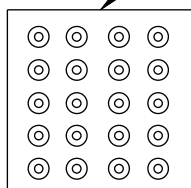
6 PE Bag



Washer



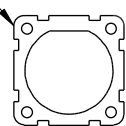
X576PCS



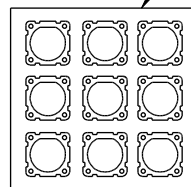
7 PE Bag



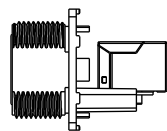
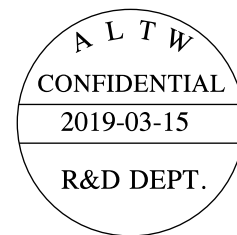
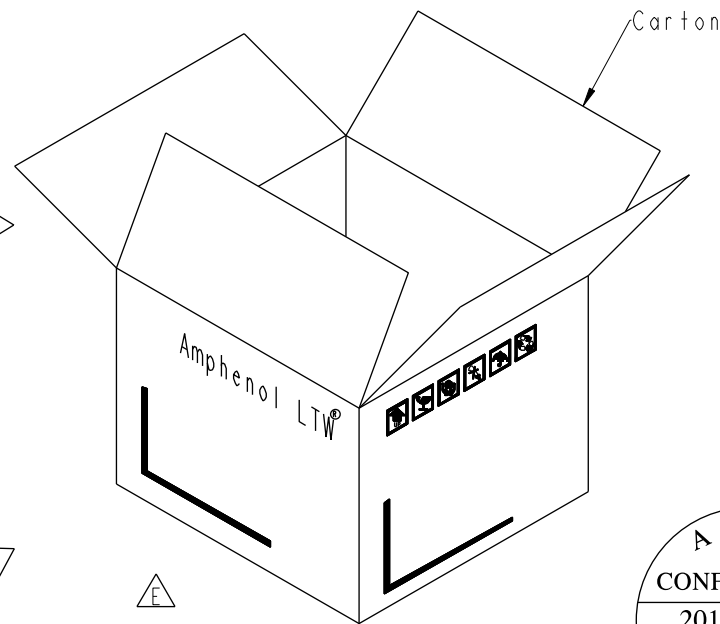
Gasket



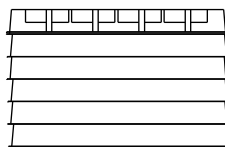
X144PCS



8 PE Bag



X144PCS

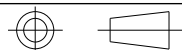


6盒

Note:

- \* Important Dimension
- \* 1PCS產品配1PCS Gasket, 4PCS Washer, 4PCS Screw
- \* 配件的出貨數量參考實際產品出貨數量

UNIT: mm



TOLERANCE  
 .X ±0.25  
 .XX ±0.1  
 .XXX ±0.05  
 ANGLES ±1°

TITLE RJ45, D SIZE, UNMATED WATERPROOF SQUARE

SCALE 1:1 SIZE A4 SHEET 2 OF 2  
 REV. F WC-REV. C.5 Inspection item

**Amphenol LTW**  
 安費諾亮泰企業股份有限公司

ITEM NO RDP-5SPFFH-SSU7001

DRAWN BY Ruru

DATE 2019-03-15

DWG NO RDP-5SPFFH-SSU7001

CHECKED BY Rita

DATE 2019-03-15

CUSTOMER ALTW

APPROVED BY Max

DATE 2019-03-15