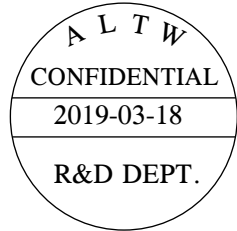
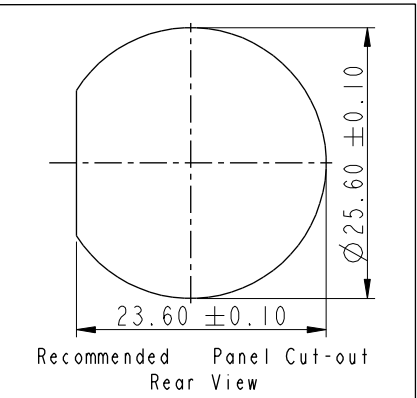
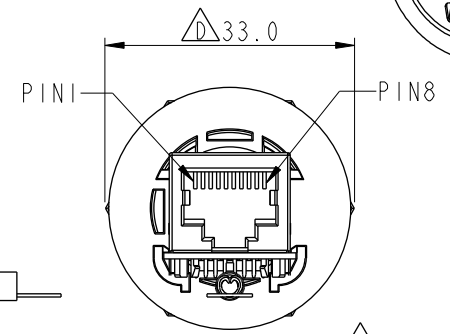
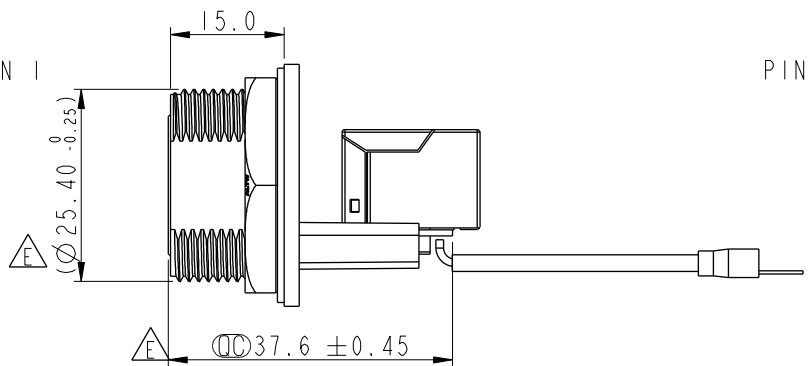
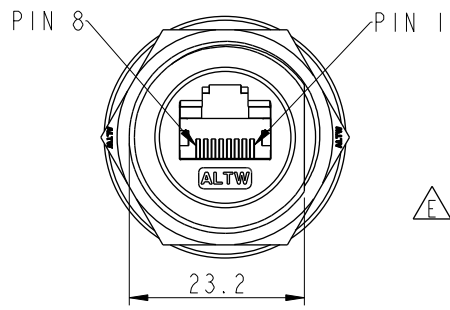
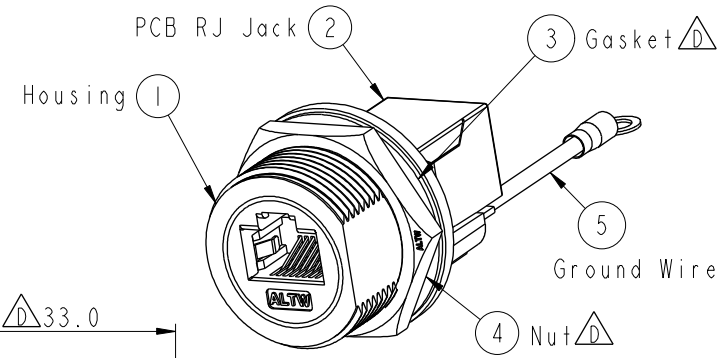
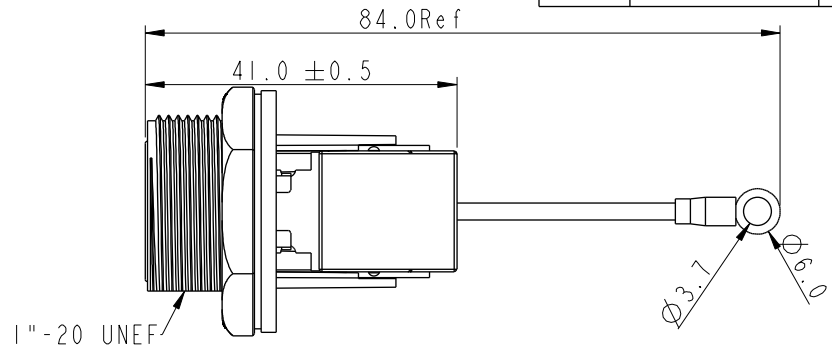


REV.	ECN NO.	DATE	SIGN	DESCRIPTION
E	LEN1810060	2017-11-29	Jalam	Change The Tolerance
F	CI90405	2019/03/18	Ruru	Modify Note



- Note: \triangle
- * CC Important Dimension
 - * Waterproof Rate: IP67, Unmated
 - * Housing: Thermoplastic, Black
 - * Nut: Thermoplastic, Black
 - \triangle * Gasket: Rubber, Gray
 - * PCB: FR-4
 - * Ground Terminal: Copper Alloy, Tin Plated
 - \triangle * Jack: Thermoplastic, Black
 - * Use with waterproof cap or dust cap for Panel Thickness Max: 2.4mm
 - * Use without waterproof cap or dust cap for Panel Thickness Max: 3.6mm
 - * Screw torsion value range: 8~15kgf-cm

UNIT: mm			TITLE RJ45, D SIZE, UNMATED WATERPROOF ADD GROUND WIRE		
TOLERANCE	.X ±0.25		SCALE	SIZE	SHEET
	.XX ±0.1		1:1	A4	1 OF 1
	.XXX ±0.05		REV.	WC-REV.	
ANGLES	±1°		F	B.8	CC : Inspection item

Amphenol LTW
安費諾亮泰企業股份有限公司

ITEM NO	RDP-5SPFFH-SCU7002	DRAWN BY	Ruru	DATE	2019-03-18
DWG NO	RDP-5SPFFH-SCU7002	CHECKED BY	Rita	DATE	2019-03-18
CUSTOMER	ALTW	APPROVED BY	Max	DATE	2019-03-18

THIS DOCUMENT IS SUBJECT TO CHANGE WITHOUT NOTICE. IT IS CONFIDENTIAL AND A PROPERTY OF Amphenol LTW. DISCLOSURE TO THIRD PARTY HAS TO BE AUTHORIZED BY Amphenol LTW.