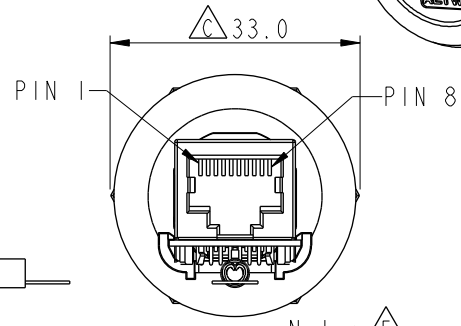
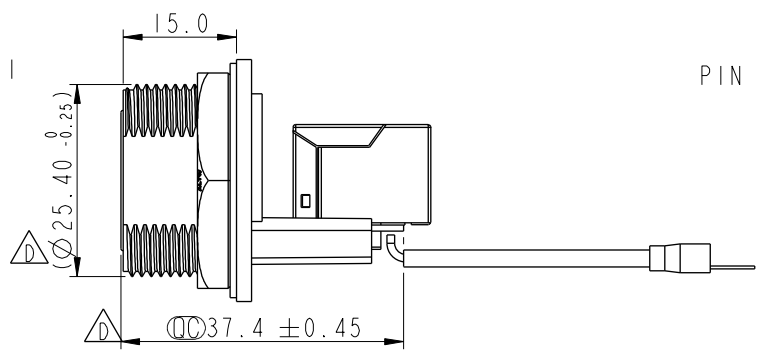
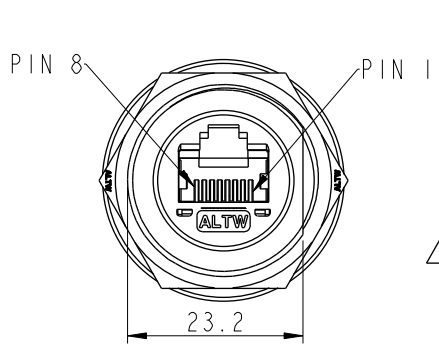
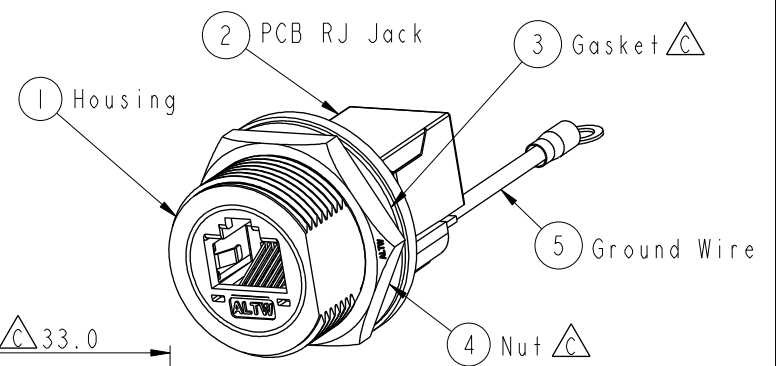
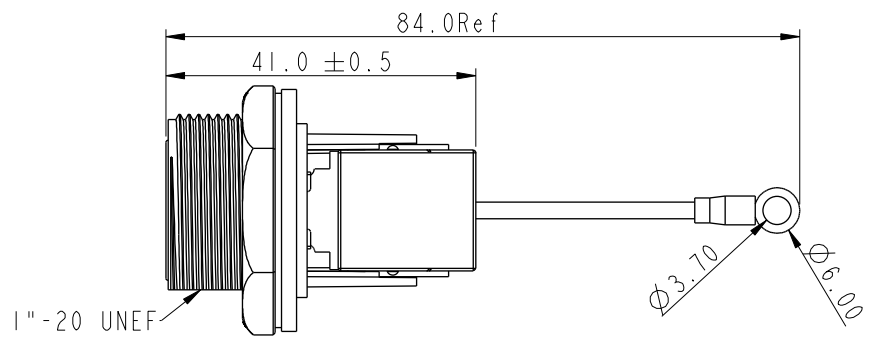
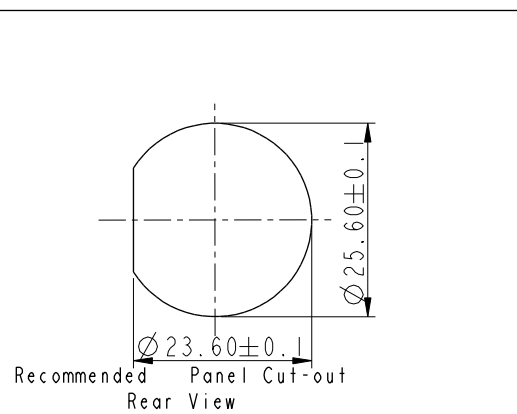
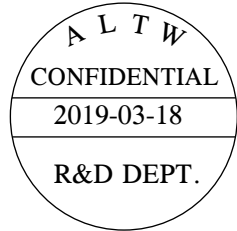


REV.	ECN NO.	DATE	SIGN	DESCRIPTION
D	LEN1810031	2017-11-29	Jalam	Modify The Tolerance
E	CI90405	2019/03/18	Ruru	Modify Note



- Note:
- * \varnothing Important Dimension
 - * Waterproof Rate: IP67, Mated
 - * Housing: Thermoplastic, Black
 - * Nut: Thermoplastic, Black
 - * Gasket: Rubber, Gray
 - * PCB: FR-4
 - * Ground Terminal: Copper Alloy, Tin Plated
 - * Jack: Thermoplastic
 - * Use with waterproof cap or dust cap for Panel Thickness Max: 2.4mm
 - * Use without waterproof cap or dust cap for Panel Thickness Max: 3.6mm
 - * Screw torsion value range: 8~15kgf-cm



UNIT: mm		TITLE		ITEM NO		DRAWN BY		DATE
		RJ45, D SIZE, MATED WATERPROOF ADD GROUND WIRE		RDP-5SPFFH-SCM7002		Ruru		2019/03/18
		SCALE 1:1		SIZE A4		SHEET 1 OF 1		DATE 2019/03/18
TOLERANCE		REV.	WC-REV.	CUSTOMER		APPROVED BY		DATE
.X ±0.25		E	A.6	ALTW		Max		2019/03/18
.XX ±0.1								
.XXX ±0.05								
ANGLES ±1°								

Amphenol LTW
安費諾亮泰企業股份有限公司

THIS DOCUMENT IS SUBJECT TO CHANGE WITHOUT NOTICE. IT IS CONFIDENTIAL AND A PROPERTY OF Amphenol LTW. DISCLOSURE TO THIRD PARTY HAS TO BE AUTHORIZED BY Amphenol LTW.