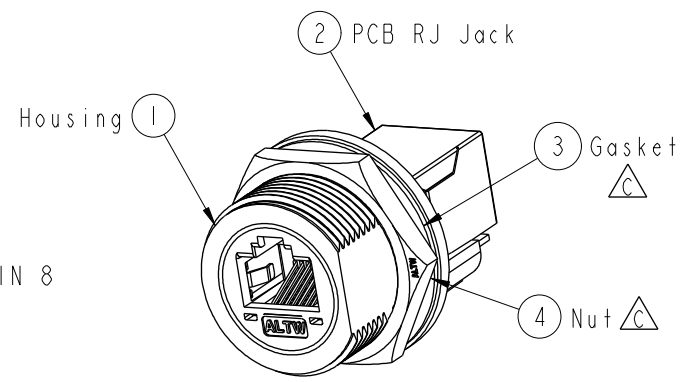
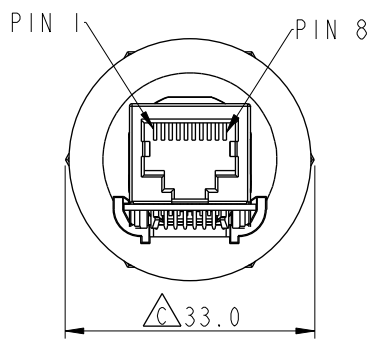
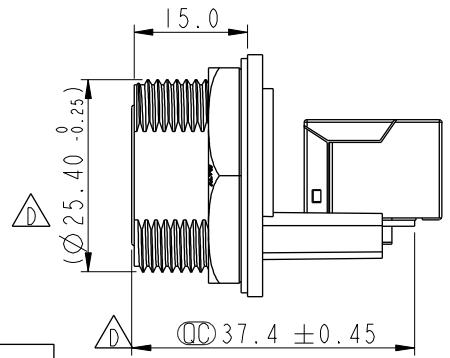
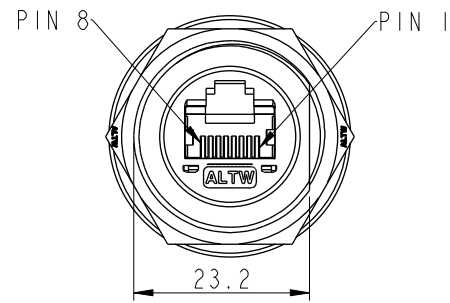
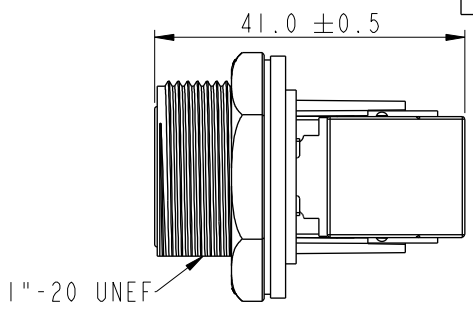
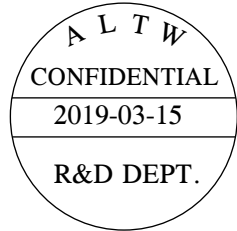
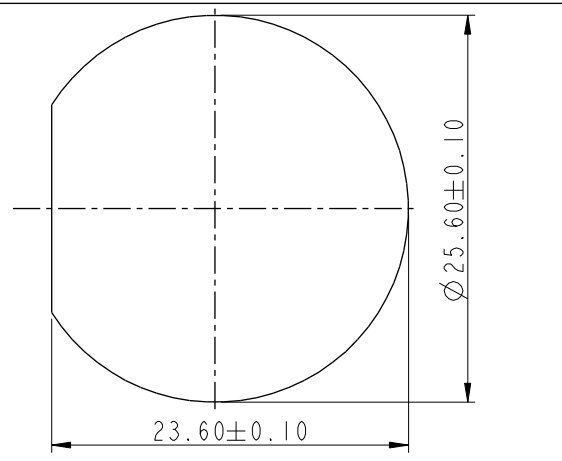


REV.	ECN NO.	DATE	SIGN	DESCRIPTION
D	LEN1810028	2017-11-28	Jalam	Modify The Tolerance
E	CI90405	2019/03/15	Ruru	Modify Note



- Note:
- * CC Important Dimension
 - * Waterproof Rate : IP67, Mated
 - * Housing: Thermoplastic, Black
 - * Nut: Thermoplastic, Black
 - $\triangle C$ * Gasket: Rubber, Gray
 - * PCB: FR-4
 - $\triangle C$ * Jack: Thermoplastic, Black
 - * Use with waterproof cap or dust cap for Panel Thickness Max: 2.4mm
 - * Use without waterproof cap or dust cap for Panel Thickness Max: 3.6mm
 - * Screw torsion value range: 8~15kgf-cm
 - * Gasket and Nut are packed separately in PE bags.



UNIT : mm	TITLE		RDP-5SPFFH-SCM7001		ITEM NO	RDP-5SPFFH-SCM7001	DRAWN BY	Ruru	DATE	2019-03-15		
	SCALE		1:1	SIZE	A4	DWG NO	RDP-5SPFFH-SCM7001	CHECKED BY	Rita	DATE	2019-03-15	
	TOLERANCE		.X	±0.25	WC-REV.	A.8	CUSTOMER	ALTW	APPROVED BY	Max	DATE	2019-03-15
	ANGLES		±1°	SHEET		1	OF		1			

Amphenol LTW
安費諾亮泰企業股份有限公司

THIS DOCUMENT IS SUBJECT TO CHANGE WITHOUT NOTICE. IT IS CONFIDENTIAL AND A PROPERTY OF AMPHENOL LTW. DISCLOSURE TO THIRD PARTY HAS TO BE AUTHORIZED BY AMPHENOL LTW.