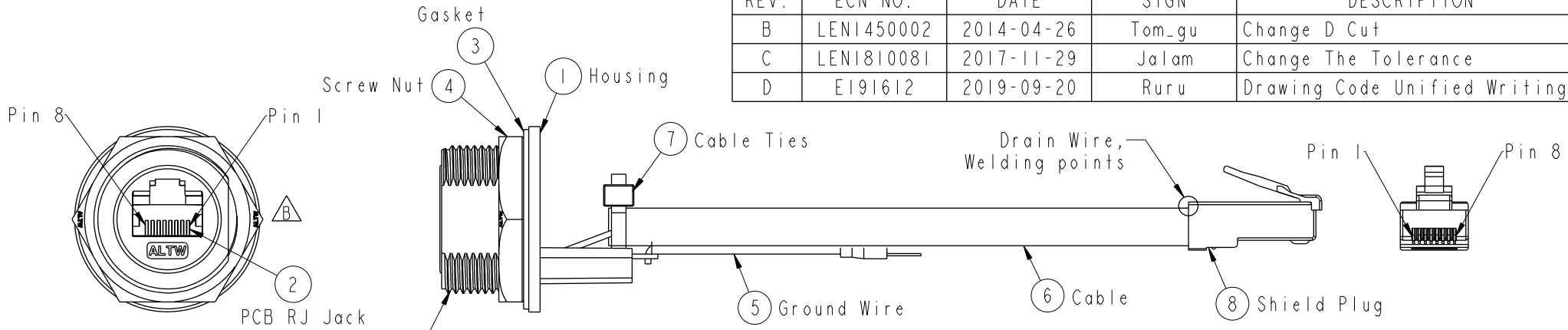


THIS DOCUMENT IS SUBJECT TO CHANGE WITHOUT NOTICE. IT IS CONFIDENTIAL AND A PROPERTY OF AMPHENOL LTW. DISCLOSURE TO THIRD PARTY HAS TO BE AUTHORIZED BY AMPHENOL LTW.

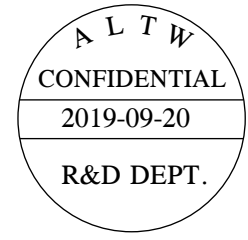
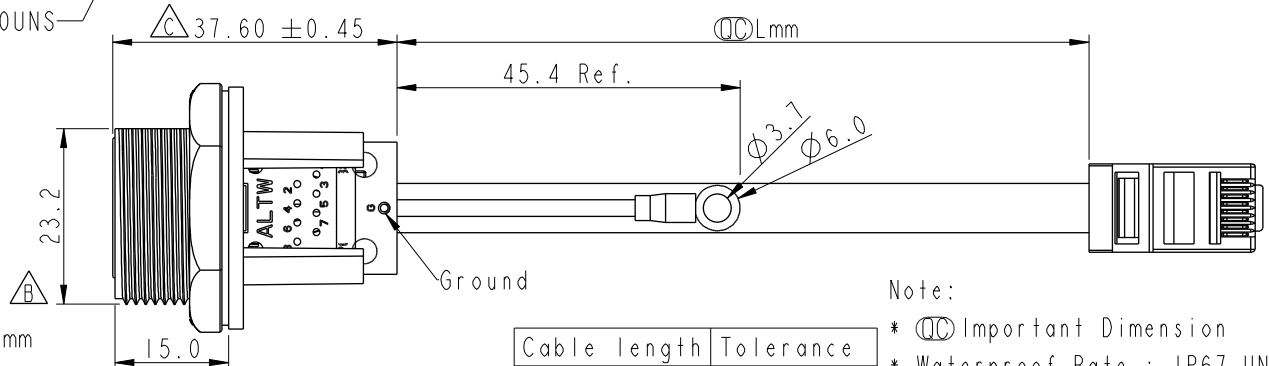
REV.	ECN NO.	DATE	SIGN	DESCRIPTION
B	LEN1450002	2014-04-26	Tom_gu	Change D Cut
C	LEN1810081	2017-11-29	Jalam	Change The Tolerance
D	EI91612	2019-09-20	Ruru	Drawing Code Unified Writing



RDP-5SPFFG-SCU7BXX $\triangle D$

10: 100mm
15: 150mm
20: 200mm

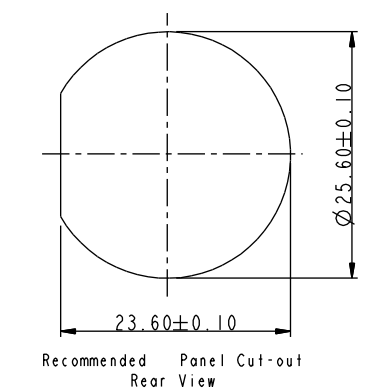
A0: 1000mm
Cable Pitch Unit=50mm
Cable Length (L): 100~1000 mm



- Note:
- \odot Important Dimension
 - Waterproof Rate : IP67, UNMATED WATERPROOF
 - Housing : Nylon+GF, BLACK
 - Screw Nut : Nylon+GF, BLACK
 - Gasket : Silicone, UL 94V-0, Gray.
 - PCB: FR-4
 - Cable: CAT5E FTP 24#*4P+D+AL/MY, 6.5
 - $\triangle B$ Ground Terminal: Brass, Tin Plated, Thickness: 0.4mm
 - Jack : PBT Polyester UL 94V-0
 - Use with waterproof cap or dust cap for Panel Thickness Max: 2.4mm
 - Use without waterproof cap or dust cap for Panel Thickness Max: 3.6mm
 - Screw torsion value range: 8~15kgf-cm

Cable length	Tolerance
0.0~100 mm	±10 mm
101~300 mm	±15 mm
301~1000 mm	±20 mm

Ground	Wire (20AWG)	Green	Terminal
Shield	Drain Wire	接地線	Shield
8	Brown	棕	8
7	White/Brown	白/棕	7
6	Green	綠	6
5	White/Blue	白/藍	5
4	Blue	藍	4
3	White/Green	白/綠	3
2	Orange	橘	2
1	White/Orange	白/橘	1
Jack	Wire Color		Plug
	Pin Out		



UNIT: mm

TOLERANCE	
.X	±0.25
.XX	±0.1
.XXX	±0.05
ANGLES	±1°

TITLE: RJ45, D SIZE, UNMATED WATERPROOF ADD GROUND WIRE

SCALE	SIZE	SHEET	OF
1:1	A4	1	1

REV. D WC-REV. A.6 \odot Inspection item

Amphenol LTW
安費諾亮泰企業股份有限公司

ITEM NO	DRAWN BY	DATE
	Ruru	2019-09-20
DWG NO	CHECKED BY	DATE
RDP-5SPFFG-SCU7BXX	Rita	2019-09-20
CUSTOMER	APPROVED BY	DATE
ALTW	Max	2019-09-20