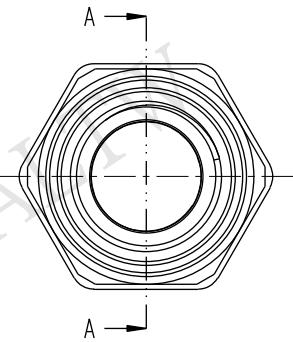
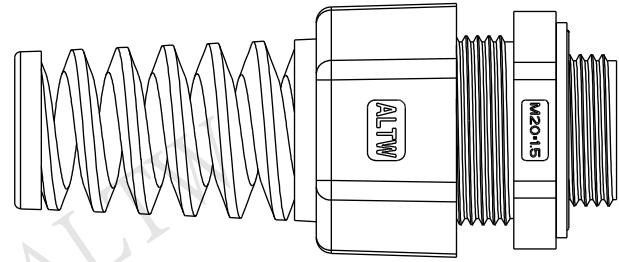
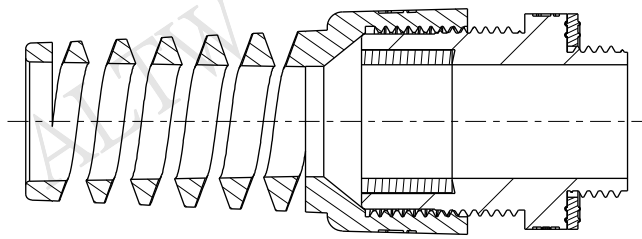
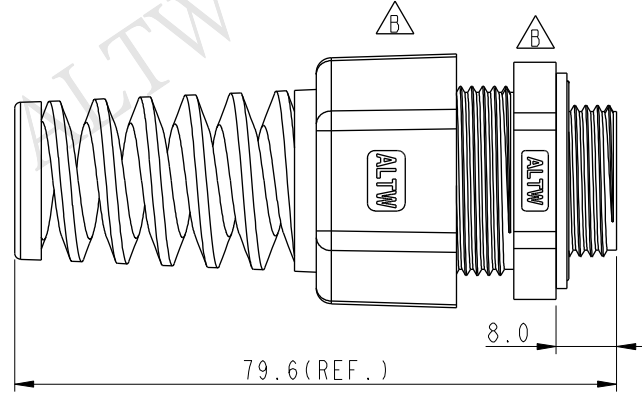
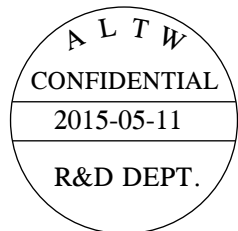
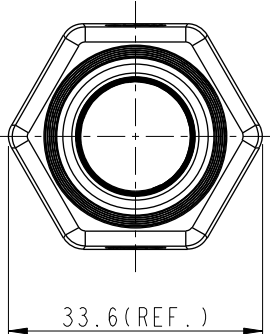
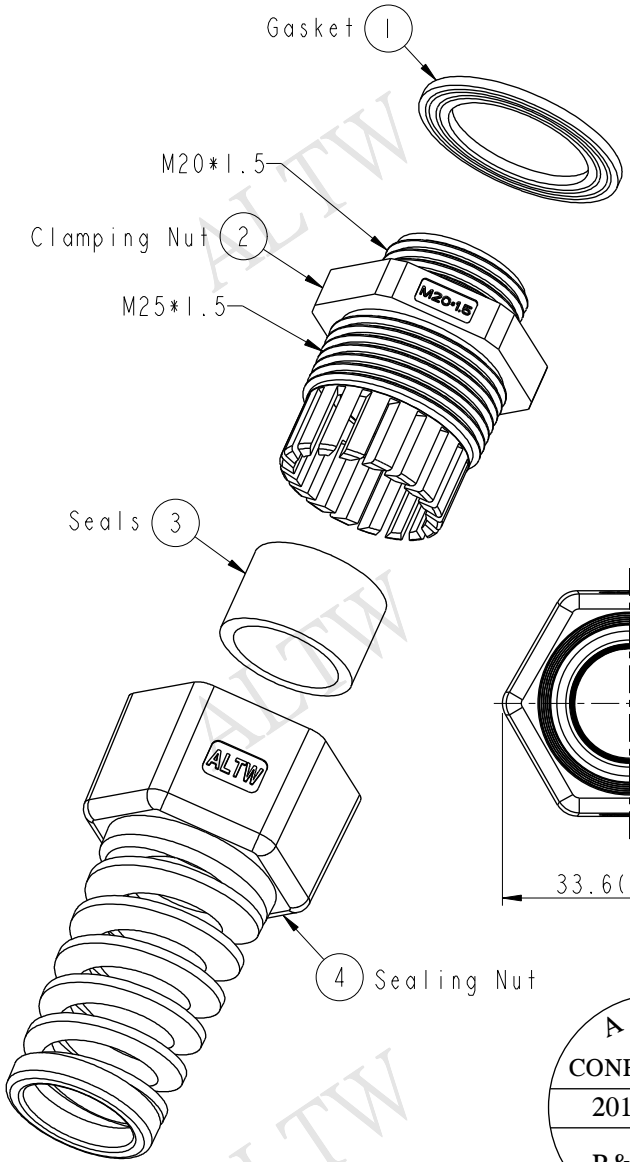


REV.	ECN NO.	DATE	SIGN	DESCRIPTION
B	LEN1560109	2015/05/11	Ruru	Change Logo



- Note:
- * Waterproof Rate: IP68
 - * Clamp Ring: Nylon, Gray
 - * Sealing Nut: Nylon, Gray
 - * Gasket: EPDM, Black
 - * Seals: EPDM, Black
 - * Cable Range: $\varnothing 10.0 \sim \varnothing 14.0$
 - * For Panel Thickness: 6.2mm max
 - * Spanner Size:
 - Body: 28.5mm
 - Sealing Nut: 29.9mm

UNIT: mm	
TOLERANCE	± 0.5 mm

TITLE M20 Cable Glands			
SCALE 4:5	SIZE A4	SHEET 1 OF 1	
REV. B	WC-REV. A.1	QC: Inspection item	

Amphenol LTW
安費諾亮泰企業股份有限公司

ITEM NO. CSG-20M008	DWG NO. CSG-20M008	CUSTOMER ALTW
------------------------	-----------------------	------------------

DRAWN BY Ruru	CHECKED BY Rita	APPROVED BY Lion
------------------	--------------------	---------------------

DATE 2015-05-11	DATE 2015-05-11	DATE 2015-05-11
--------------------	--------------------	--------------------

THIS DOCUMENT IS SUBJECT TO CHANGE WITHOUT NOTICE. IT IS CONFIDENTIAL AND A PROPERTY OF Amphenol LTW. DISCLOSURE TO THIRD PARTY HAS TO BE AUTHORIZED BY Amphenol LTW.