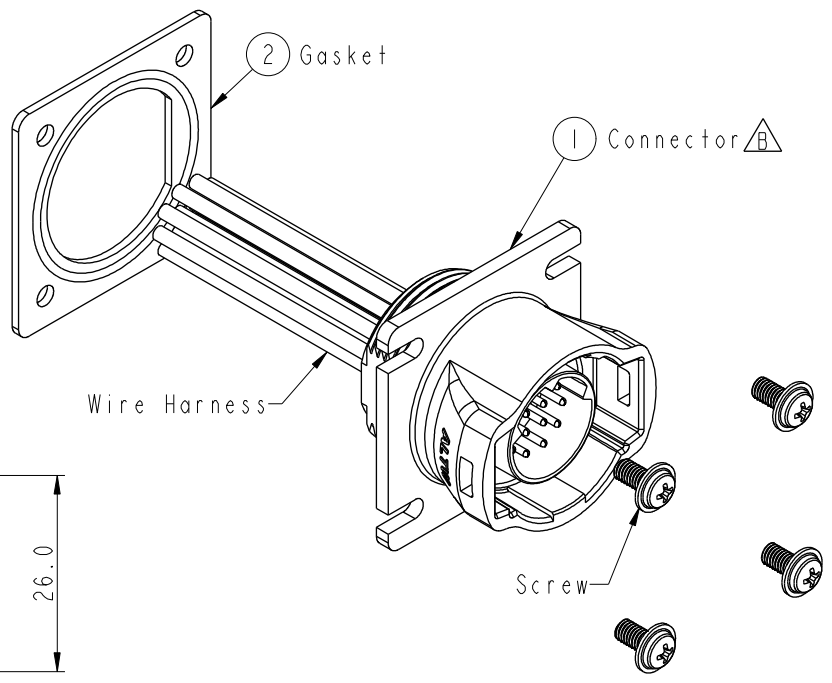
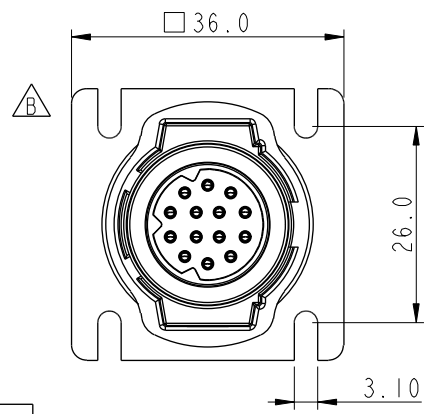
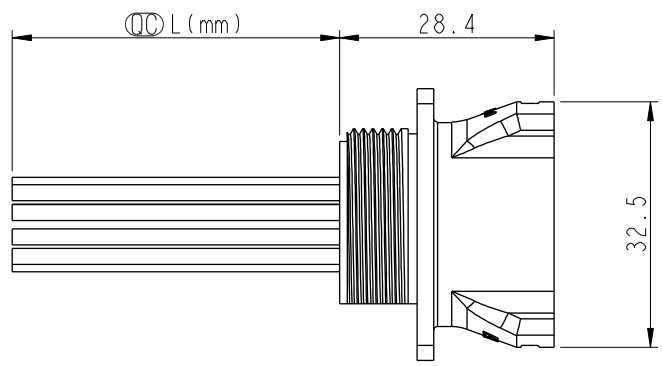
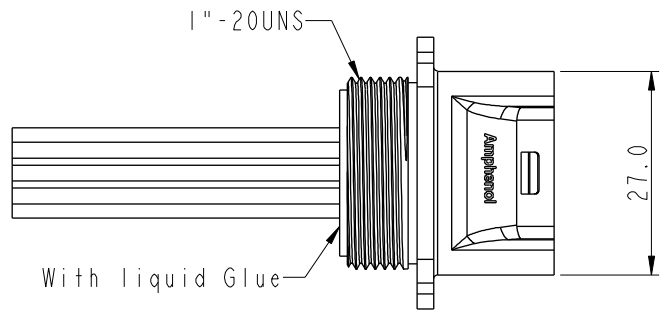


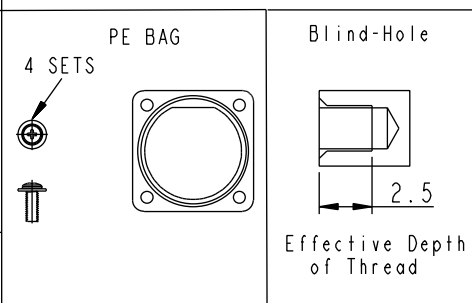
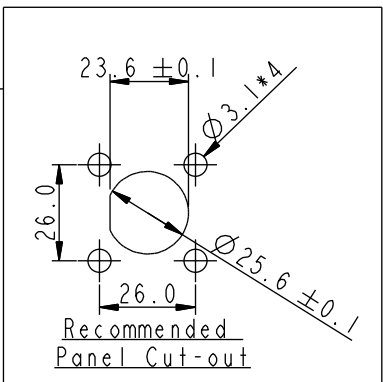
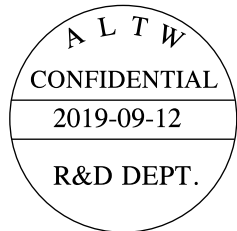
REV.	ECN NO.	DATE	SIGN	DESCRIPTION
B	LE31590221~23	2015/09/17	Joyy	Modify The Housing Structure
C	LEN1610386~88	2016/01/22	Joyy	Modify The Wire Color
D	E191618	2019/09/12	Ruru	Update Code & Wire Tolerance



Note:

- \*  $\varnothing$  Important Dimension To Check.
- \* Waterproof Rate: IP67
- \* Housing: M-PPE, Black.
- \* Male Pin: Copper Alloy, Gold Plated.
- \* Gasket: Silicone, Gray.
- \* Wire Harness: UL1430 20#
- \* Blind holes for the screws used M3X0.5mm
- \* Blind Hole Size M3X0.5mm
- \* Screw Torque: 1.5~2kgf.cm
- \* Wire Harness Tolerance: 100mm  $\pm$  10mm  
101~300mm  $\pm$  15mm  
301~1000mm  $\pm$  20mm

\* Prohibiting the use of place in oils



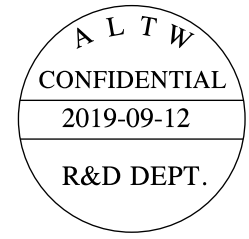
UNIT:mm	$\varnothing$	TITLE LARGE PANEL RBL F CONN M PIN
TOLERANCE $\pm 0.5$		SCALE 3:4 SIZE A4 SHEET 1 OF 3
REV. D	WC-REV. A.4	$\varnothing$ : Inspection item

**Amphenol LTW**  
安費諾亮泰企業股份有限公司

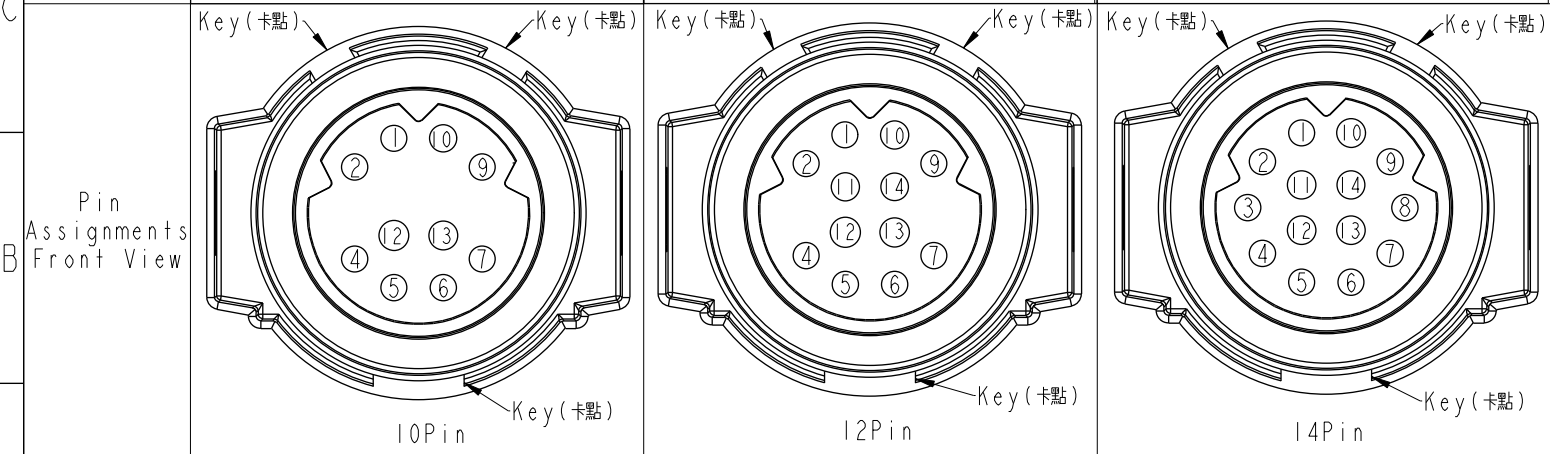
ITEM NO	DRAWN BY Ruru	DATE 2019-09-12
DWG NO DD-XXRFMC-RS7BXX	CHECKED BY Rita	DATE 2019-09-12
CUSTOMER ALTW	APPROVED BY Max	DATE 2019-09-12

THIS DOCUMENT IS SUBJECT TO CHANGE WITHOUT NOTICE. IT IS CONFIDENTIAL AND A PROPERTY OF Amphenol LTW. DISCLOSURE TO THIRD PARTY HAS TO BE AUTHORIZED BY Amphenol LTW.

THIS DOCUMENT IS SUBJECT TO CHANGE WITHOUT NOTICE. IT IS CONFIDENTIAL AND A PROPERTY OF AMPHENOL LTW. DISCLOSURE TO THIRD PARTY HAS TO BE AUTHORIZED BY AMPHENOL LTW.

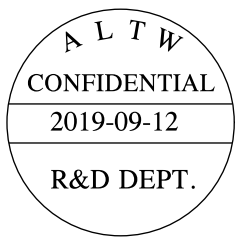


Pin Out	14 --	14 Pink(粉紅)	14 Black/White(黑/白)
	13 Purple(紫)	13 Purple(紫)	13 Brown/White(棕/白)
	12 Brown(棕)	12 Brown(棕)	12 Light Green(淺綠)
	11 --	11 Black/white 黑/白	11 Pink(粉紅)
	10 Orange(橘)	10 Orange(橘)	10 Purple(紫)
	9 Yellow(黃)	9 Yellow(黃)	9 Brown(棕)
	8 --	8 --	8 Orange(橘)
	7 Gray(灰)	7 Gray(灰)	7 Yellow(黃)
	6 Red(紅)	6 Red(紅)	6 Gray(灰)
	5 Green(綠)	5 Green(綠)	5 Red(紅)
	4 Blue(藍)	4 Blue(藍)	4 Green(綠)
	3 --	3 --	3 Blue(藍)
	2 White(白)	2 White(白)	2 White(白)
	1 Black(黑)	1 Black(黑)	1 Black(黑)



UNIT:mm TOLERANCE ±0.5			<b>TITLE</b> LARGE PANEL RBL F CONN M PIN		<b>Amphenol LTW</b> 安費諾亮泰企業股份有限公司	ITEM NO	DRAWN BY	DATE
	SCALE 3:4	SIZE A4	SHEET 2	OF 3		DWG NO DD-XXRFMC-RS7BXX	CHECKED BY Rita	DATE 2019-09-12
	REV. D	WC-REV. A.4	: Inspection item			CUSTOMER ALTW	APPROVED BY Max	DATE 2019-09-12

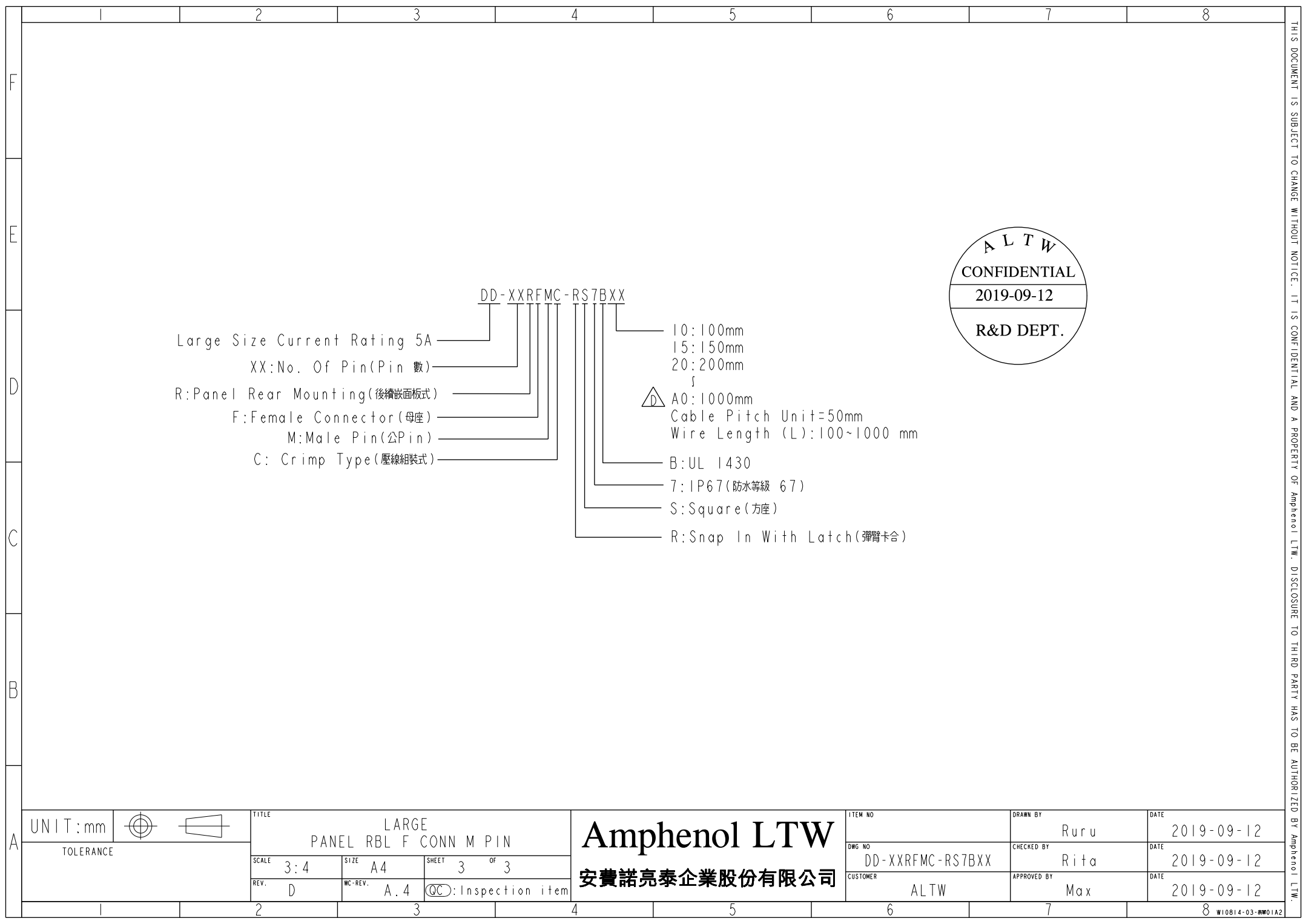
THIS DOCUMENT IS SUBJECT TO CHANGE WITHOUT NOTICE. IT IS CONFIDENTIAL AND A PROPERTY OF Amphenol LTW. DISCLOSURE TO THIRD PARTY HAS TO BE AUTHORIZED BY Amphenol LTW.



DD-XXRFMC-RS7BXX

Large Size Current Rating 5A  
 XX:No. Of Pin(Pin 數)  
 R:Panel Rear Mounting(後續嵌面板式)  
 F:Female Connector(母座)  
 M:Male Pin(公Pin)  
 C: Crimp Type(壓線組裝式)

10:100mm  
 15:150mm  
 20:200mm  
 A0:1000mm  
 Cable Pitch Unit=50mm  
 Wire Length (L):100~1000 mm  
 B:UL 1430  
 7:IP67(防水等級 67)  
 S:Square(方座)  
 R:Snap In With Latch(彈臂卡合)



UNIT:mm TOLERANCE	TITLE LARGE PANEL RBL F CONN M PIN		
	SCALE 3:4	SIZE A4	SHEET 3 OF 3
	REV. D	WC-REV. A.4	QC: Inspection item

**Amphenol LTW**  
 安費諾亮泰企業股份有限公司

ITEM NO	DRAWN BY Ruru	DATE 2019-09-12
DWG NO DD-XXRFMC-RS7BXX	CHECKED BY Rita	DATE 2019-09-12
CUSTOMER ALTW	APPROVED BY Max	DATE 2019-09-12