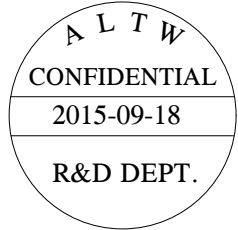
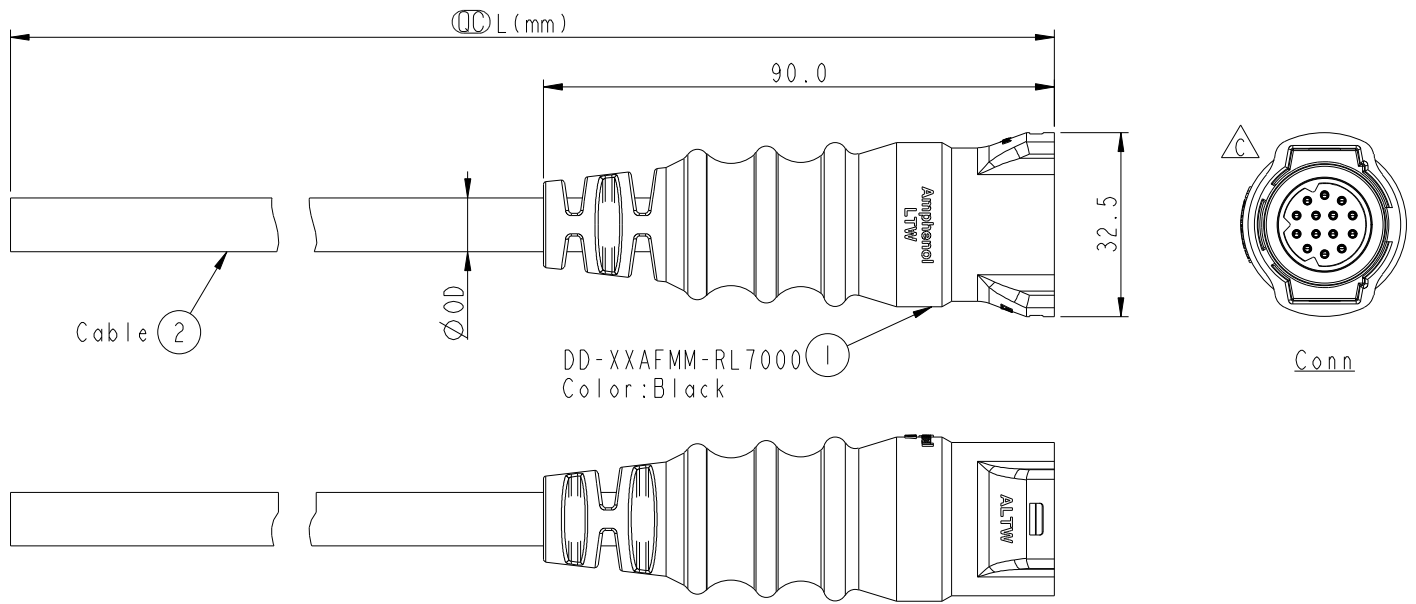


| REV. | ECN NO.       | DATE       | SIGN  | DESCRIPTION                  |
|------|---------------|------------|-------|------------------------------|
| B    | LEN1580332~34 | 2015/08/19 | Lu Di | Change To Common Drawing     |
| C    | LEN1590396~98 | 2015/09/18 | Joyy  | Modify The Housing Structure |



DD-XXAFMM-RL7A XX

Large Size Current Rating 5A

XX:No. Of Pin(Pin 數)

A:Cable With S/R(線端帶網尾)

F:Female Connector(母座)

M:Male Pin(公Pin)

M:Molding Type(射出成型)

XX:01~99Meter

01:01Meter

02:02Meter

...

99:99Meter

A:UL 2464 Cable

7:IP67(防水等級 67)

L:Straight(180°)

R:Snap In With Latch(彈臂卡合)

Note:

- \*  $\varnothing$  Important Dimension
- \* Waterproof Rate: IP67
- \* Housing: M-PPE, Black
- \* Male Pin: Copper Alloy, Gold Plated
- \* Cable: UL2464 20#,PVC Jacket,UV Resistant, Black.
- \* Cable Length Tolerance: 01M:±40mm
- 02M~05M:±60mm
- 06M~10M:±100mm
- 11M~30M:±200mm
- 31M~99M:±500mm
- \* Prohibiting the use of place in oils

|                  |          |
|------------------|----------|
| DD-10AFMM-RL7AXX | Ø 9.0    |
| DD-12AFMM-RL7AXX |          |
| DD-14AFMM-RL7AXX | Ø 9.5    |
| Part No.         | Cable OD |

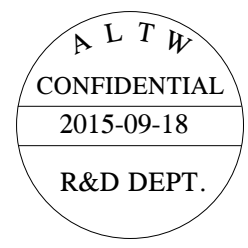
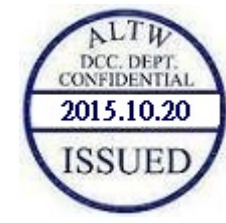
|           |      |       |                              |               |                 |
|-----------|------|-------|------------------------------|---------------|-----------------|
| UNIT:mm   |      | TITLE | LARGE CABLE RBL F CONN M PIN |               |                 |
| TOLERANCE | ±0.5 | SCALE | 3:4                          | SIZE          | A4              |
|           |      | REV.  | C                            | WC-REV.       | A.3             |
|           |      |       |                              | $\varnothing$ | Inspection item |
|           |      |       |                              | SHEET         | 1 OF 2          |

**Amphenol LTW**  
安費諾亮泰企業股份有限公司

|                  |             |            |
|------------------|-------------|------------|
| ITEM NO          | DRAWN BY    | DATE       |
|                  | Joyy        | 2015-09-18 |
| DWG NO           | CHECKED BY  | DATE       |
| DD-XXAFMM-RL7AXX | Lu Di       | 2015-09-18 |
| CUSTOMER         | APPROVED BY | DATE       |
| ALTW             | Jerry       | 2015-09-18 |

THIS DOCUMENT IS SUBJECT TO CHANGE WITHOUT NOTICE. IT IS CONFIDENTIAL AND A PROPERTY OF Amphenol LTW. DISCLOSURE TO THIRD PARTY HAS TO BE AUTHORIZED BY Amphenol LTW.

THIS DOCUMENT IS SUBJECT TO CHANGE WITHOUT NOTICE. IT IS CONFIDENTIAL AND A PROPERTY OF Amphenol LTW. DISCLOSURE TO THIRD PARTY HAS TO BE AUTHORIZED BY Amphenol LTW.



|                            |  |  |   |  |
|----------------------------|--|--|---|--|
|                            |  |  |   |  |
| Pin Out                    | 14 --<br>13 Purple(紫)<br>12 Brown(棕)<br>11 --<br>10 Orange(橘)<br>9 Yellow(黃)<br>8 --<br>7 Gray(灰)<br>6 Red(紅)<br>5 Green(綠)<br>4 Blue(藍)<br>3 --<br>2 White(白)<br>1 Black(黑) | 14 Pink(粉紅)<br>13 Purple(紫)<br>12 Brown(棕)<br>11 Black/white(黑/白)<br>10 Orange(橘)<br>9 Yellow(黃)<br>8 --<br>7 Gray(灰)<br>6 Red(紅)<br>5 Green(綠)<br>4 Blue(藍)<br>3 --<br>2 White(白)<br>1 Black(黑) | 14 Black/white(黑/白)<br>13 Brown/White(棕/白)<br>12 Light Green(淺綠)<br>11 Pink(粉紅)<br>10 Purple(紫)<br>9 Brown(棕)<br>8 Orange(橘)<br>7 Yellow(黃)<br>6 Gray(灰)<br>5 Red(紅)<br>4 Green(綠)<br>3 Blue(藍)<br>2 White(白)<br>1 Black(黑) |  |
| Pin Assignments Front View | <p>10Pin</p>   | <p>12Pin</p>   | <p>14Pin</p>  |  |

|                           |  |   |  |  |  |   |
|---------------------------|--|---|--|--|--|---|
| UNIT:mm<br>TOLERANCE ±0.5 |  | TITLE<br>LARGE CABLE RBL F CONN M PIN<br>SCALE 3:4 SIZE A4 SHEET 2 OF 2<br>REV. C WC-REV. A.3 | Amphenol LTW<br>安費諾亮泰企業股份有限公司<br>QC: Inspection item | ITEM NO<br>DD-XXAFMM-RL7AXX<br>CUSTOMER ALTW | DRAWN BY Joyy<br>CHECKED BY Lu Di<br>APPROVED BY Jerry | DATE 2015-09-18<br>DATE 2015-09-18<br>DATE 2015-09-18 |
|---------------------------|--|---|--|--|--|---|