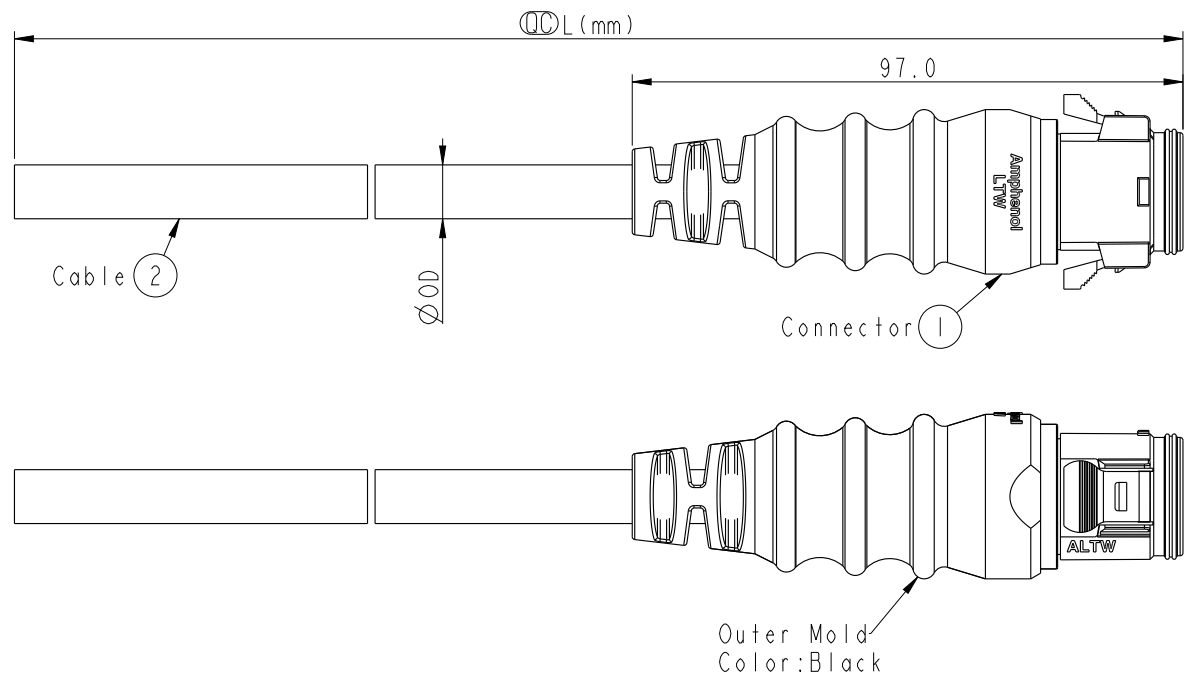
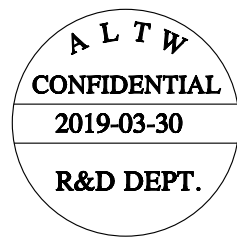


THIS DOCUMENT IS SUBJECT TO CHANGE WITHOUT NOTICE. IT IS CONFIDENTIAL AND A PROPERTY OF Amphenol LTW. DISCLOSURE TO THIRD PARTY HAS TO BE AUTHORIZED BY Amphenol LTW.

REV.	ECN NO.	DATE	SIGN	DESCRIPTION



DD-05AMMM-RL8DXX	Ø 6.2
DD-06AMMM-RL8DXX	Ø 6.8
DD-07AMMM-RL8DXX	
DD-08AMMM-RL8DXX	Ø 7.2
DD-09AMMM-RL8DXX	Ø 7.6
DD-10AMMM-RL8DXX	Ø 8.5
DD-12AMMM-RL8DXX	
DD-14AMMM-RL8DXX	
DD-18AMMM-RL8DXX	Ø 10.0
Part No.	Cable OD

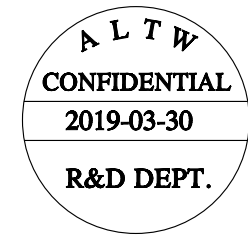
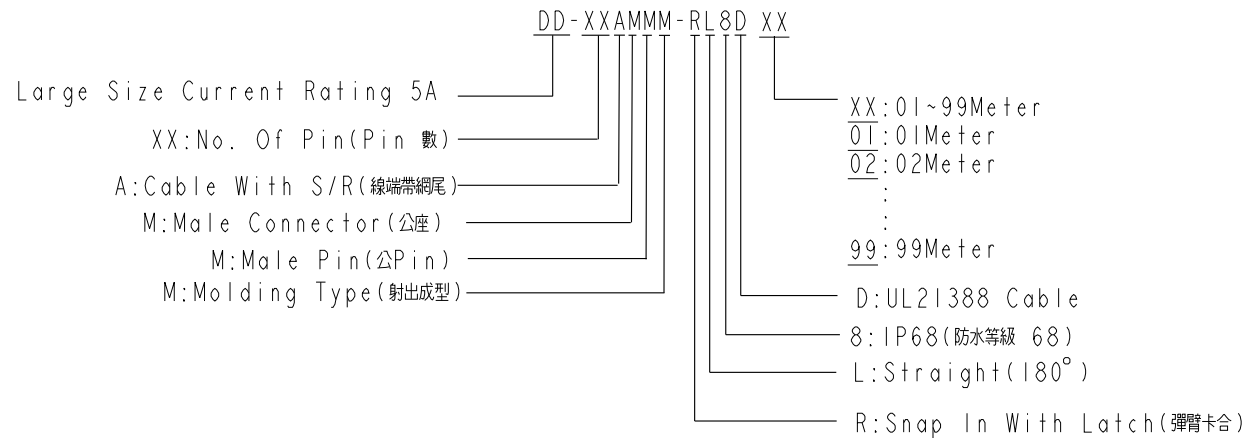


Note:

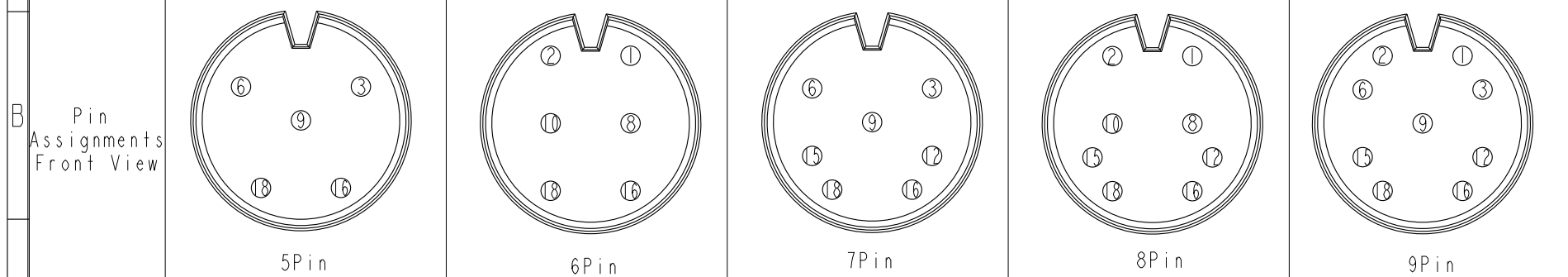
- * \varnothing Important Dimension
- * Waterproof Rate: IP68
- * Housing: M-PPE, Black
- * Male Pin: Copper Alloy, Gold Plated
- * Cable: UL21388 20#, PVC Jacket, Black.
- * Cable Length Tolerance: 01M: ±40mm
02M~05M: ±60mm
06M~10M: ±100mm
11M~30M: ±200mm
31M~99M: ±500mm
- * Prohibiting the use of place in oils

UNIT: mm			TITLE LARGE CABLE RBL M CONN M PIN	Amphenol LTW 安費諾亮泰企業股份有限公司	ITEM NO	DRAWN BY Peng	DATE 2019-03-30	
TOLERANCE ±0.5	SCALE 3:4	SIZE A4	SHEET 1 OF 3	REV. A	WC-REV. A.1	DWG NO DD-XXAMMM-RL8DXX	CHECKED BY Mafei	DATE 2019-03-30
			☉: Inspection item		CUSTOMER ALTW	APPROVED BY Jerry	DATE 2019-03-30	

THIS DOCUMENT IS SUBJECT TO CHANGE WITHOUT NOTICE. IT IS CONFIDENTIAL AND A PROPERTY OF Amphenol LTW. DISCLOSURE TO THIRD PARTY HAS TO BE AUTHORIZED BY Amphenol LTW.

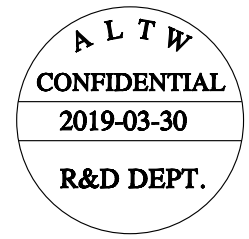


Pin Out	18	Yellow (黃)	18	Green (綠)	18	Blue (藍)	18	Purple (紫)	18	Gray (灰)
	16	Orange (橘)	16	Yellow (黃)	16	Green (綠)	16	Blue (藍)	16	Purple (紫)
	9	Red (紅)	10	Orange (橘)	15	Yellow (黃)	15	Green (綠)	15	Blue (藍)
	6	Brown (棕)	8	Red (紅)	12	Orange (橘)	12	Yellow (黃)	12	Green (綠)
	3	Black (黑)	2	Brown (棕)	9	Red (紅)	10	Orange (橘)	9	Yellow (黃)
			1	Black (黑)	6	Brown (棕)	8	Red (紅)	6	Orange (橘)
					3	Black (黑)	2	Brown (棕)	3	Red (紅)
							1	Black (黑)	2	Brown (棕)
									1	Black (黑)

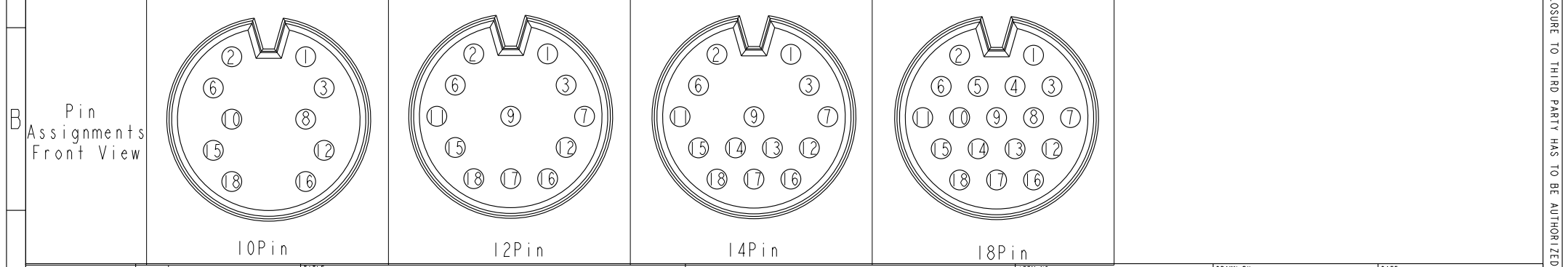


UNIT: mm		TITLE		<h1>Amphenol LTW</h1> <p>安費諾亮泰企業股份有限公司</p>	ITEM NO	DRAWN BY	DATE
		LARGE CABLE RBL M CONN M PIN			DWG NO	Peng	2019-03-30
		SCALE	SIZE		SHEET	OF	CHECKED BY
3:4	A4	2	3	Mafei	2019-03-30		
REV.	WC-REV.	QC: Inspection item		CUSTOMER	APPROVED BY	DATE	
A	A.1			ALTW	Jerry	2019-03-30	

THIS DOCUMENT IS SUBJECT TO CHANGE WITHOUT NOTICE. IT IS CONFIDENTIAL AND A PROPERTY OF AMPHENOL LTW. DISCLOSURE TO THIRD PARTY HAS TO BE AUTHORIZED BY AMPHENOL LTW.



F							
E							
D	Pin Out	18 White(白) 17 -- 16 Gray(灰) 15 Purple(紫) 14 -- 13 -- 12 Blue(藍) 11 -- 10 Green(綠) 9 -- 8 Yellow(黃) 7 -- 6 Orange(橘) 5 -- 4 -- 3 Red(紅) 2 Brown(棕) 1 Black(黑)	18 Light Green(淺綠) 17 Pink(粉紅) 16 White(白) 15 Gray(灰) 14 -- 13 -- 12 Purple(紫) 11 Blue(藍) 10 -- 9 Green(綠) 8 -- 7 Yellow(黃) 6 Orange(橘) 5 -- 4 -- 3 Red(紅) 2 Brown(棕) 1 Black(黑)	18 Brown/White(棕/白) 17 Black/White(黑/白) 16 Light Green(淺綠) 15 Pink(粉紅) 14 White(白) 13 Gray(灰) 12 Purple(紫) 11 Blue(藍) 10 -- 9 Green(綠) 8 -- 7 Yellow(黃) 6 Orange(橘) 5 -- 4 -- 3 Red(紅) 2 Brown(棕) 1 Black(黑)	18 Blue/White(藍/白) 17 Green/White(綠/白) 16 Orange/White(橘/白) 15 Red/White(紅/白) 14 Brown/White(棕/白) 13 Black/White(黑/白) 12 Light Green(淺綠) 11 Pink(粉紅) 10 White(白) 9 Gray(灰) 8 Purple(紫) 7 Blue(藍) 6 Green(綠) 5 Yellow(黃) 4 Orange(橘) 3 Red(紅) 2 Brown(棕) 1 Black(黑)		
C							



A	UNIT:mm TOLERANCE ±0.5	 TITLE LARGE CABLE RBL M CONN M PIN SCALE 3:4 SIZE A4 SHEET 3 OF 3 REV. A WC-REV. A.1 Inspection item	Amphenol LTW 安費諾亮泰企業股份有限公司	ITEM NO DD-XXAMMM-RL8DXX CUSTOMER ALTW	DRAWN BY Peng CHECKED BY Mafei APPROVED BY Jerry	DATE 2019-03-30 DATE 2019-03-30 DATE 2019-03-30
---	---------------------------	---	--------------------------------------	---	---	--