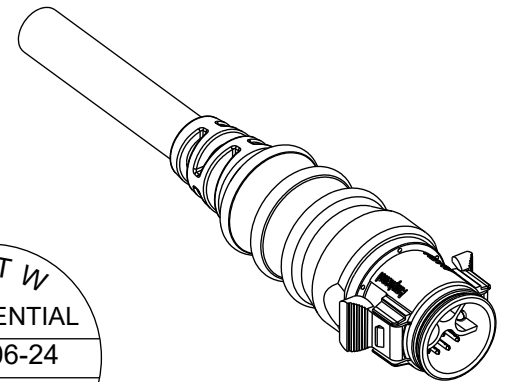
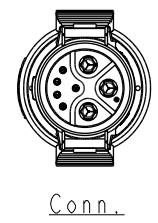
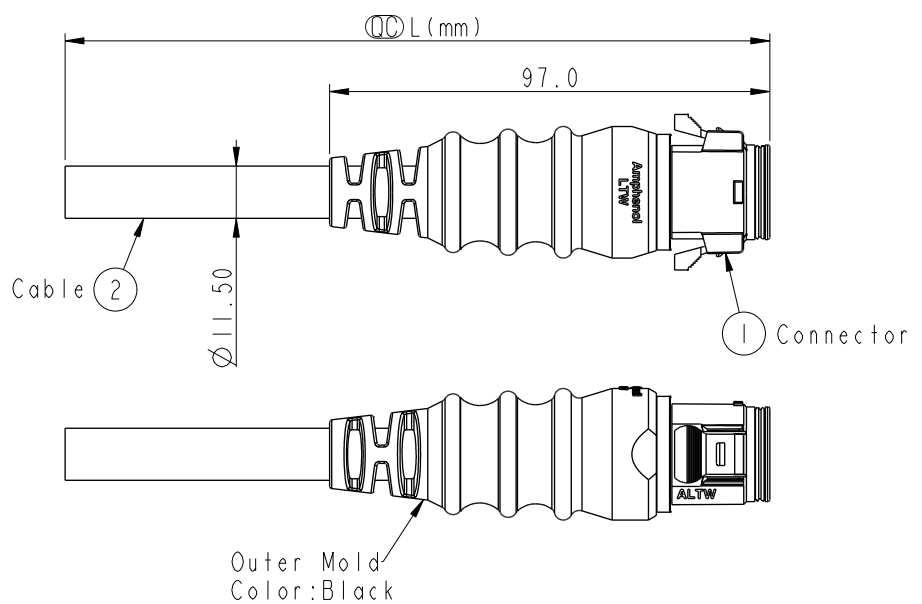


THIS DOCUMENT IS SUBJECT TO CHANGE WITHOUT NOTICE. IT IS CONFIDENTIAL AND A PROPERTY OF Amphenol LTW. DISCLOSURE TO THIRD PARTY HAS TO BE AUTHORIZED BY Amphenol LTW.

REV.	ECN NO.	DATE	SIGN	DESCRIPTION
B	C200960	2020/06/24	Ruru	$\triangle B$ X4



ALTW
CONFIDENTIAL
2020-06-24
R&D DEPT.

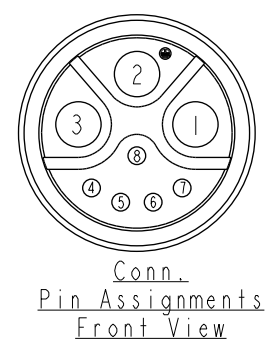
$\triangle B$ DCD-XXAMMM-RL8FXX

XX: No. Of Pin(Pin數)

XX:01~99Meter
01:01Meter
02:02Meter
:
:
:
:
99:99Meter

Cable Length(L):01~99Meters

- $\triangle B$ Note:
- * ⌀ Important Dimension To Check.
 - * Waterproof Rate: IP68
 - * Housing: Thermoplastic, Black
 - * Male Pin: Copper Alloy, Gold Plated
 - * Gasket: Rubber, Gray
 - * Cable: UL21996 3C*12AWG+(24#*2P+D+AL)+F+AL/MY, PVC Jacket, OD=11.5, Black
 - * Cable Length Tolerance: >0.3M~1.5M: +50/-0mm
>1.5M~3M: +100/-0mm
>3M~5M: +150/-0mm
>5M~10M: ±100mm
>10M~20M: ±200mm
>20M~30M: ±300mm
>30M~100M: ±500mm
- * Prohibiting the use of place in oils



8	Drain (24AWG)	地線	Twist
7	Yellow (24AWG)	黃	
6	Orange (24AWG)	橙	Twist
5	White (24AWG)	白	
4	Green (24AWG)	綠	
3	Blue (12AWG)	藍	
2	Red (12AWG)	紅	
1	Black (12AWG)	黑	
Conn.	Wire Color		
Pin Out			

UNIT:mm TOLERANCE ± 0.5	TITLE RBL, D-20A+5A, 08P, CABLE W/SR M, M, MOLDING, RBL		
	SCALE 3:4	SIZE A4	SHEET 1 OF 1
	REV. B	WC-REV. .0	⌀ : Inspection item
	Amphenol LTW 安費諾亮泰企業股份有限公司		

ITEM NO	DRAWN BY Peng	DATE 2019-05-09
DWG NO DCD-XXAMMM-RL8FXX $\triangle B$	CHECKED BY Mafei	DATE 2019-05-09
CUSTOMER ALTW	APPROVED BY Jerry	DATE 2019-05-09