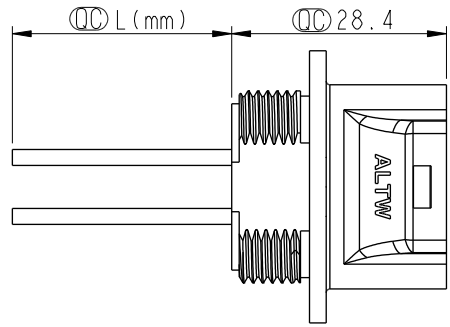
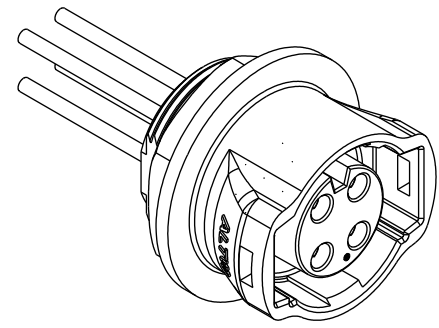
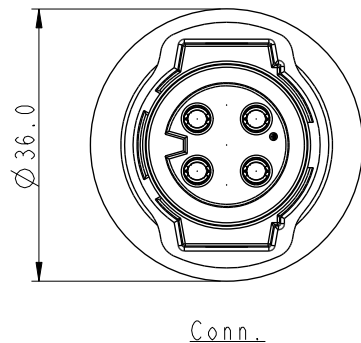
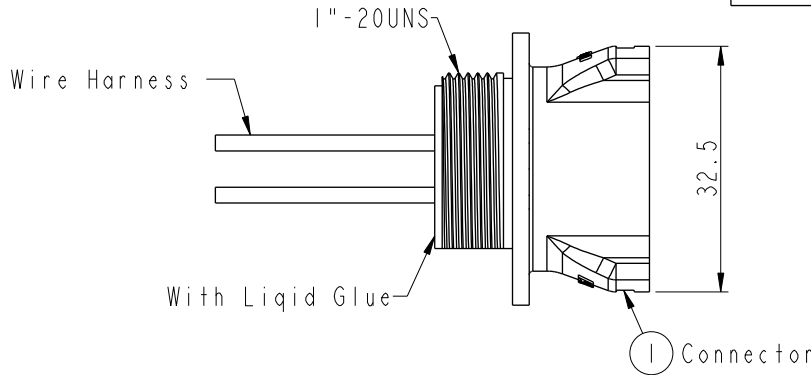
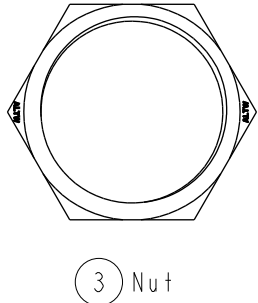
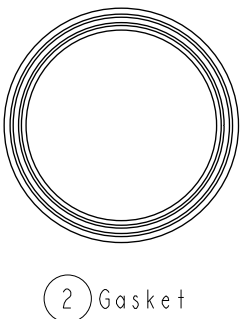
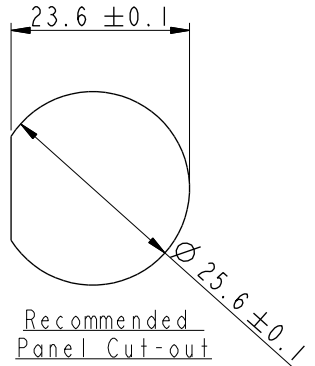


THIS DOCUMENT IS SUBJECT TO CHANGE WITHOUT NOTICE. IT IS CONFIDENTIAL AND A PROPERTY OF Amphenol LTW. DISCLOSURE TO THIRD PARTY HAS TO BE AUTHORIZED BY Amphenol LTW.

REV.	ECN NO.	DATE	SIGN	DESCRIPTION
A		2020/05/19	Vicky	Initial Released



- Note:
- \* ∅ Important Dimension
  - \* Waterproof Rate: IP68, Unmated  
IP68: 1M Depth of water in 24 hours
  - \* Connector: Thermoplastic, Black
  - \* Female Pin: Copper Alloy, Gold Plated
  - \* Gasket: Rubber, Black
  - \* Screw Nut: Thermoplastic, Black
  - \* Wire Harness: UL1015, 12AWG
  - \* Panel Thickness Max: 5.0mm
  - \* Wire harness Tolerance: 100mm ±10mm  
101~300mm ±15mm  
301~1000mm ±20mm
  - \* Prohibiting the use of place in oils
  - \* The nut and gasket are packed separately



UNIT:mm		
TOLERANCE	±0.5mm	

TITLE RBL, D-20A, REAR FASTENED F, F, SOLDER, RBL			
SCALE 1:1	SIZE A4	SHEET 1 OF 2	
REV. A	WC-REV. .0	∅∅: Inspection item	

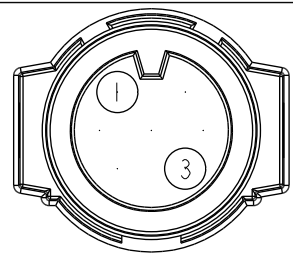
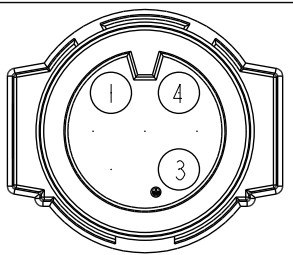
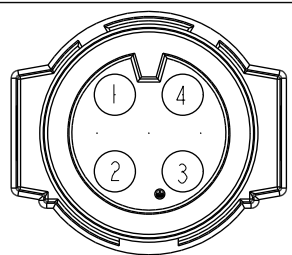
**Amphenol LTW**  
安費諾亮泰企業股份有限公司

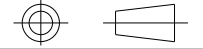
ITEM NO.	DRAWN BY Vicky	DATE 2020-05-19
DWG NO. DC-XXRFFS-RC8DXX	CHECKED BY Rita	DATE 2020-05-19
CUSTOMER ALTW	APPROVED BY Max	DATE 2020-05-19

DC-XXRFFS-RC8DXX

XX:No. Of Pin(Pin 數)

10:100mm  
 15:150mm  
 20:200mm  
 ↓  
 A0:1000mm  
 Cable Pitch Unit=50mm  
 Wire Length (L):100~1000 mm

Pin Out	4 -- 3 White 白 2 -- 1 Black 黑	4 Green 綠 3 White 白 2 -- 1 Black 黑	4 Green 綠 3 White 白 2 Red 紅 1 Black 黑
Pin Assignments Front View	 2Pin	 3Pin	 4Pin

UNIT:mm		TITLE	RBL, D-20A, REAR FASTENED F, F, SOLDER, RBL	
TOLERANCE	±0.5mm	SCALE	1:1	SIZE A4
		REV.	A	WC-REV. .0
			SHEET 2 OF 2	
			QC: Inspection item	

**Amphenol LTW**  
 安費諾亮泰企業股份有限公司

ITEM NO	DWG NO	CUSTOMER	DRAWN BY	CHECKED BY	APPROVED BY	DATE
	DC-XXRFFS-RC8DXX	ALTW	Vicky	Rita	Max	2020-05-19
						2020-05-19
						2020-05-19