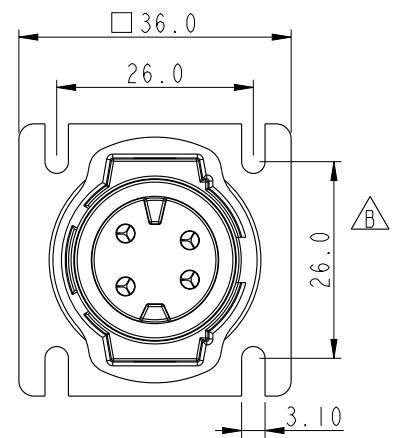
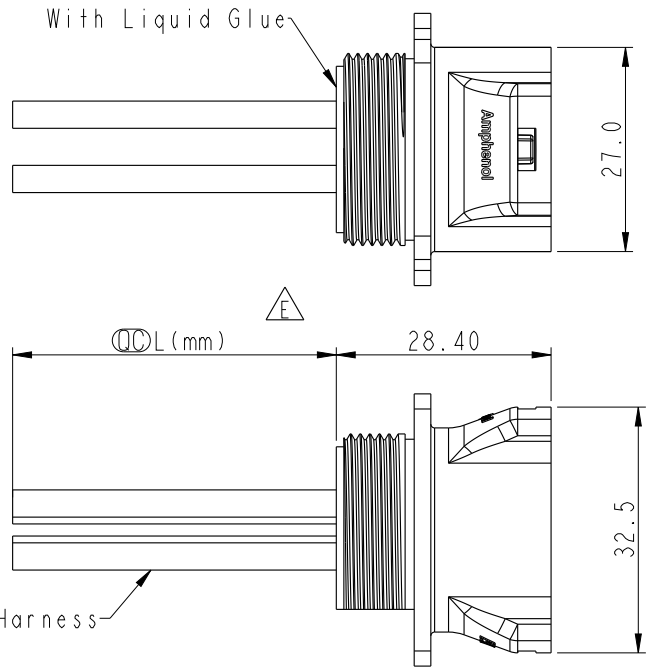
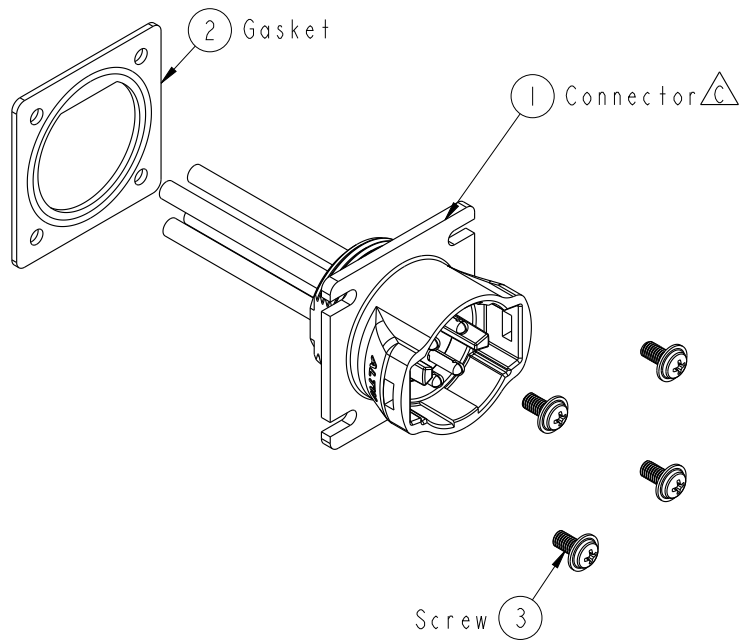
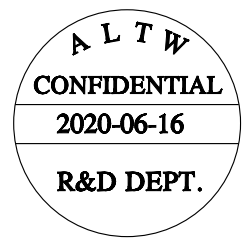
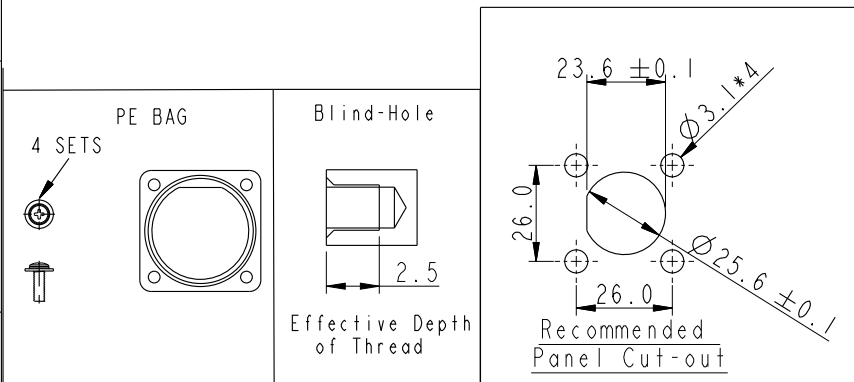


REV.	ECN NO.	DATE	SIGN	DESCRIPTION
C	LE315A0070~72	2015/09/23	Joyy	Update The Drawing
D	E191618	2019/09/12	Ruru	Update Code & Wire Tolerance
E	C200862	2020-06-16	Peng	△EXI



- Note:
- * \varnothing Important Dimension To Check.
 - * Waterproof Rate: IP67
 - * Housing: M-PPE, Black.
 - * Male Pin: Copper Alloy, Gold Plated.
 - * Gasket: Silicone, Gray.
 - * Wire Harness: UL1015 12#
 - * Blind holes for the screws used M3X0.5mm
 - * Blind Hole Size M3X0.5mm
 - * Screw Torque: 1.5~2kgf.cm
 - * Wire Harness Tolerance: 100mm \pm 10mm
101~300mm \pm 15mm
301~1000mm \pm 20mm
 - * Prohibiting the use of place in oils



UNIT:mm		TITLE LARGE PANEL RBL F CONN M PIN
TOLERANCE ± 0.5	SCALE 3:4	SIZE A4
	REV. E	WC-REV. A.2
		\varnothing : Inspection item

Amphenol LTW
安費諾亮泰企業股份有限公司

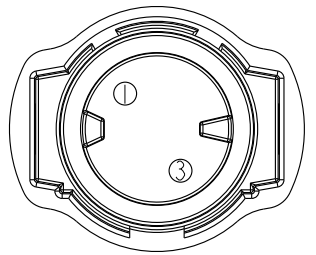
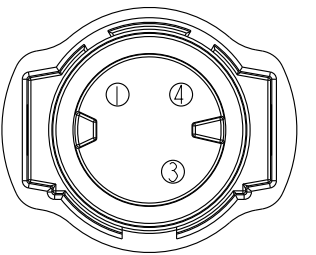
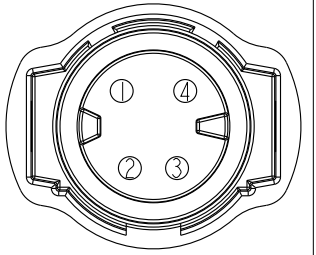
ITEM NO	DRAWN BY Ruru	DATE 2019-09-12
DWG NO DC-XXRFMC-RSTAXX	CHECKED BY Rita	DATE 2019-09-12
CUSTOMER ALTW	APPROVED BY Max	DATE 2019-09-12

THIS DOCUMENT IS SUBJECT TO CHANGE WITHOUT NOTICE. IT IS CONFIDENTIAL AND A PROPERTY OF Amphenol LTW. DISCLOSURE TO THIRD PARTY HAS TO BE AUTHORIZED BY Amphenol LTW.



DC-XXRFMC-RS7AXX

Large Size Current Rating 20A
 XX:No. Of Pin(Pin 數)
 R:Panel Rear Mounting(後續嵌面板式)
 F:Female Connector(母座)
 M:Male Pin(公Pin)
 C: Crimp Type(壓線組裝式)

10: 100mm
 15: 150mm
 20: 200mm
 5
 A0: 1000mm
 Cable Pitch Unit=50mm
 Wire Length (L): 100~1000 mm
 A: UL 1015
 7: IP67(防水等級 67)
 S: Square(方座)
 R: Snap In With Latch(彈臂卡合)

Pin Out	4 -- 3 White 白 2 -- 1 Black 黑	4 Green 綠 3 White 白 2 -- 1 Black 黑	4 Green 綠 3 White 白 2 Red 紅 1 Black 黑
Pin Assignments Front View	 2Pin	 3Pin	 4Pin



UNIT:mm  
 TOLERANCE ±0.5

TITLE LARGE PANEL RBL F CONN M PIN			
SCALE 3:4	SIZE A4	SHEET 2 OF 2	
REV. E	WC-REV. A.2	QC: Inspection item	

Amphenol LTW
 安費諾亮泰企業股份有限公司

ITEM NO	DRAWN BY Ruru	DATE 2019-09-12
DWG NO DC-XXRFMC-RS7AXX	CHECKED BY Rita	DATE 2019-09-12
CUSTOMER ALTW	APPROVED BY Max	DATE 2019-09-12