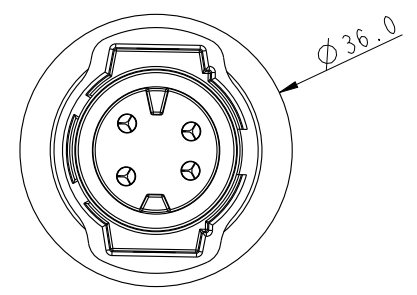
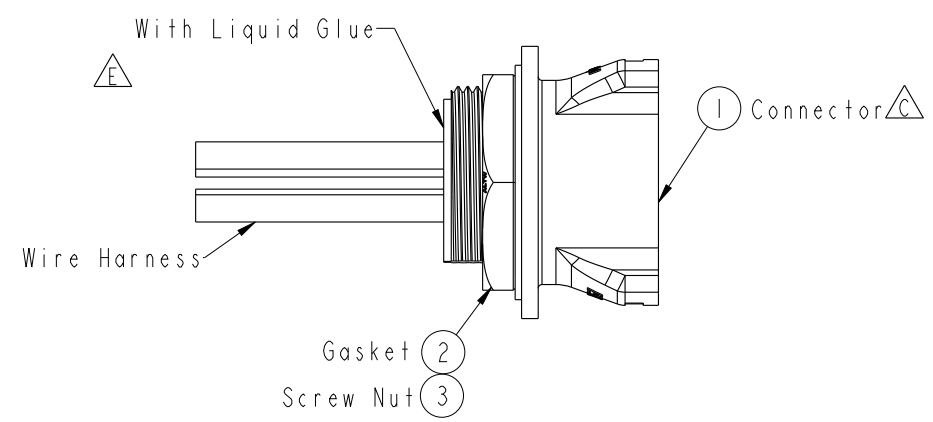
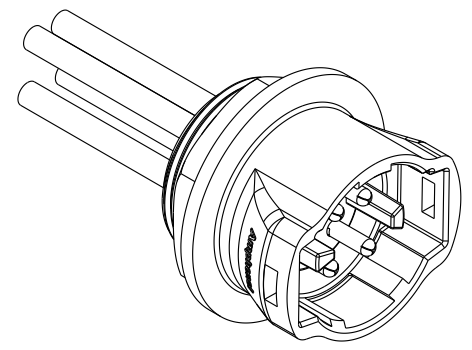
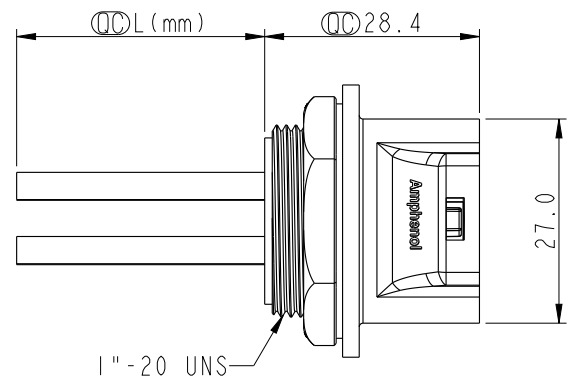


THIS DOCUMENT IS SUBJECT TO CHANGE WITHOUT NOTICE. IT IS CONFIDENTIAL AND A PROPERTY OF Amphenol LTW. DISCLOSURE TO THIRD PARTY HAS TO BE AUTHORIZED BY Amphenol LTW.

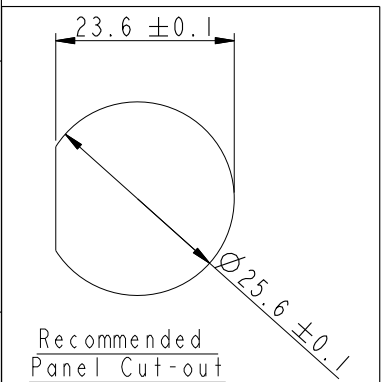
REV.	ECN NO.	DATE	SIGN	DESCRIPTION
C	LE315A0073~75	2015/09/23	Joyy	Update The Drawing
D	E191618	2019/09/12	Ruru	Update Code & Wire Tolarance
E	C200862	2020-06-16	Peng	△E XI



Note:

- * \varnothing Important Dimension To Check.
- * Waterproof Rate: IP67
- * Housing: M-PPE, Black.
- * Male Pin: Copper Alloy, Gold Plated
- * Gasket: Silicone, Gray.
- * Screw Nut: Nylon+GF, Black.
- * Wire Harnss: UL1015 12#
- * Panel Thickness Max: 5.0mm
- * Recommended Nut Torque: 4~7 kgf.cm
- △ * Wire Harness Tolarance: 100mm ±10mm
101~300mm ±15mm
301~1000mm ±20mm

* Prohibiting the use of place in oils.

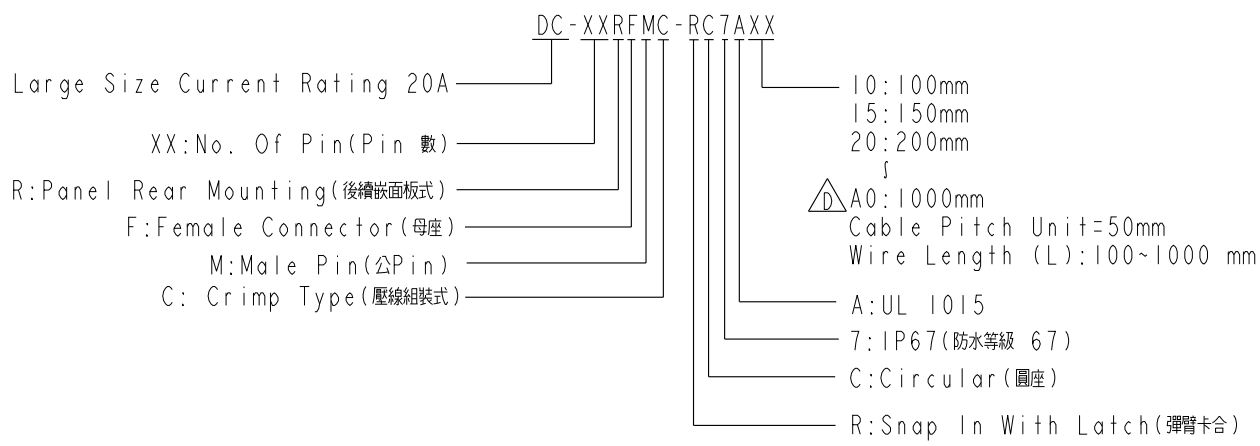


UNIT: mm		
TOLERANCE ±0.5		

TITLE LARGE PANEL RBL F CONN M PIN		
SCALE 1:1	SIZE A4	SHEET 1 OF 2
REV. E	WC-REV. A.4	\varnothing : Inspection item

Amphenol LTW
安費諾亮泰企業股份有限公司

ITEM NO.	DRAWN BY Ruru	DATE 2019-09-12
DWG NO. DC-XXRFMC-RC7AXX	CHECKED BY Rita	DATE 2019-09-12
CUSTOMER ALTW	APPROVED BY Max	DATE 2019-09-12



Pin Out	4 -- 3 White 白 2 -- 1 Black 黑	4 Green 綠 3 White 白 2 -- 1 Black 黑	4 Green 綠 3 White 白 2 Red 紅 1 Black 黑
Pin Assignments Front View	 2Pin	 3Pin	 4Pin

UNIT: mm TOLERANCE ±0.5	TITLE LARGE PANEL RBL F CONN M PIN			Amphenol LTW 安費諾亮泰企業股份有限公司	ITEM NO	DRAWN BY	DATE
	SCALE 1:1	SIZE A4	SHEET 2 OF 2		DWG NO DC-XXRFMC-RC7AXX	CHECKED BY Rita	DATE 2019-09-12
	REV. E	WC-REV. A.4	: Inspection item		CUSTOMER ALTW	APPROVED BY Max	DATE 2019-09-12