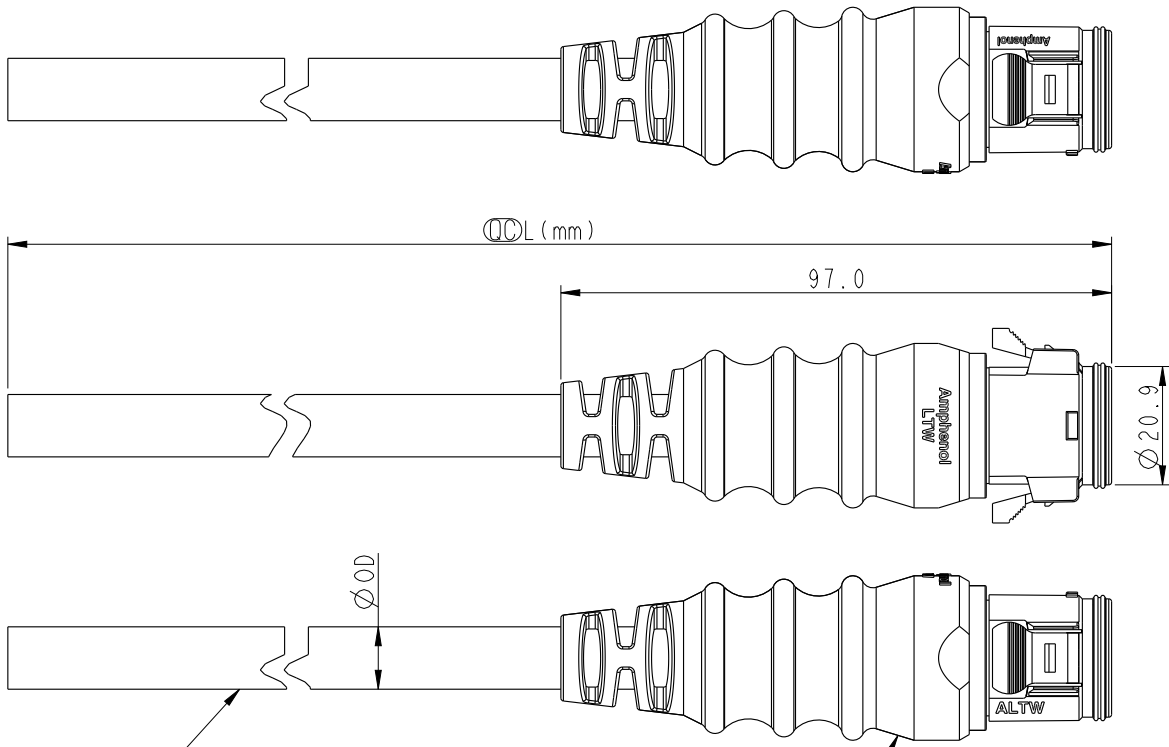


THIS DOCUMENT IS SUBJECT TO CHANGE WITHOUT NOTICE. IT IS CONFIDENTIAL AND A PROPERTY OF Amphenol LTW. DISCLOSURE TO THIRD PARTY HAS TO BE AUTHORIZED BY Amphenol LTW.

REV.	ECN NO.	DATE	SIGN	DESCRIPTION
B	LEN1590198~200	2015/08/27	Mafei	Adding Key Point.



ALTW
CONFIDENTIAL
2015-08-27
R&D DEPT.

ALTW
DCC. DEPT.
CONFIDENTIAL
2015.09.11
ISSUED

DC-XXAMFM-RL7000 ①
Color:Black

- Note:
- * Ⓞ Important Dimension To Check.
 - * Waterproof Rate: IP67(Mated)
 - * Housing: M-PPE, Black.
 - * Female Pin: Copper Alloy, Gold Plated.
 - * Gasket: Silicone, Gray
 - * Cable: UL2464 12#, PVC Jacket, UV Resistant, Black
 - * Cable Length Tolerance: 01M:±40mm
02M~05M:±60mm
06M~10M:±100mm
11M~30M:±200mm
31M~99M:±500mm
 - * Prohibiting the use of place in oils

DC-02AMFM-RL7AXX	∅ 9.5
DC-03AMFM-RL7AXX	∅ 10
DC-04AMFM-RL7AXX	∅ 11
Part No.	Cable OD

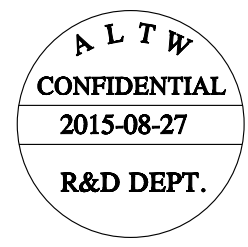
UNIT:mm		
TOLERANCE		
±0.5		

TITLE			
LARGE CABLE M CONN F PIN			
SCALE	SIZE	SHEET	OF
3:4	A4	1	2
REV.	WC-REV.	Ⓞ: Inspection item	
B	.0		

Amphenol LTW
安費諾亮泰企業股份有限公司

ITEM NO	DRAWN BY	DATE
	Mafei	2015/08/27
DWG NO	CHECKED BY	DATE
DC-XXAMFM-RL7AXX	Joyy	2015/08/27
CUSTOMER	APPROVED BY	DATE
ALTW	Jerry	2015/08/27

THIS DOCUMENT IS SUBJECT TO CHANGE WITHOUT NOTICE. IT IS CONFIDENTIAL AND A PROPERTY OF AMPHENOL LTW. DISCLOSURE TO THIRD PARTY HAS TO BE AUTHORIZED BY AMPHENOL LTW.



DC-XXAMFM-RL7A XX

Large Size Current Rating 20A

XX: No. Of Pin (Pin 數)

A: Cable With S/R (線端帶網尾)

M: Male Connector (公座)

F: Female Pin (母Pin)

M: Molding Type (射出成型)

XX: 01~99 Meter

01: 01 Meter

02: 02 Meter

...

99: 99 Meter

A: UL 2464 Cable

7: IP67 (防水等級 67)

L: Straight (180°)

R: Snap In With Latch (彈臂卡合式)

Pin Out	4	--	4	Green 綠	4	Green 綠
	3	White 白	3	White 白	3	White 白
	2	--	2	--	2	Red 紅
	1	Black 黑	1	Black 黑	1	Black 黑
Pin Assignments Front View						
	2Pin		3Pin		4Pin	
					△ B	

UNIT: mm TOLERANCE ±0.5	TITLE LARGE CABLE M CONN F PIN		Amphenol LTW 安費諾亮泰企業股份有限公司		ITEM NO	DRAWN BY Mafei	DATE 2015/08/27	
	SCALE 3:4	SIZE A4			SHEET 2 OF 2	DWG NO DC-XXAMFM-RL7AXX	CHECKED BY Joyy	DATE 2015/08/27
	REV. B	WC-REV. .0			QC: Inspection item	CUSTOMER ALTW	APPROVED BY Jerry	DATE 2015/08/27