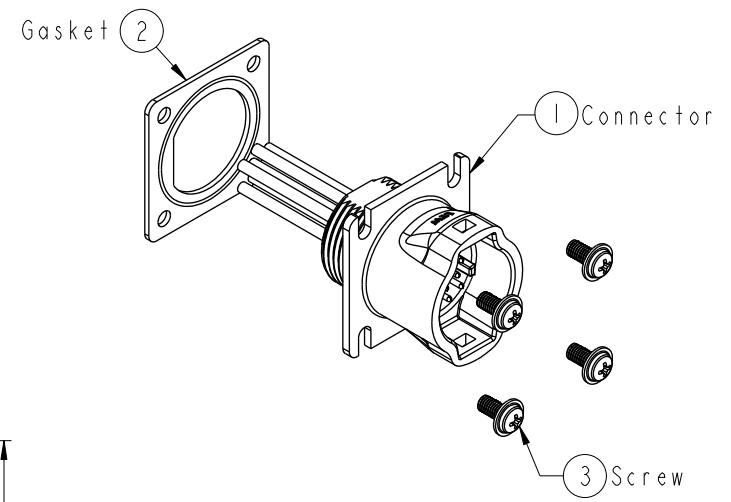
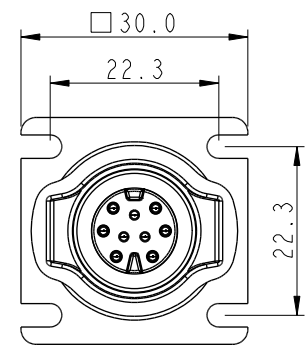
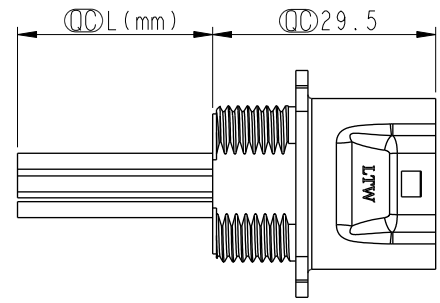
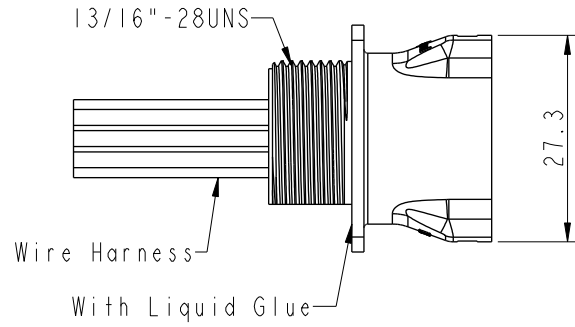


REV.	ECN NO.	DATE	SIGN	DESCRIPTION
A		2020/04/22	Ruru	Initial Released
B	C200691	2020/05/19	Ruru	$\triangle B$ XI



- $\triangle B$  Note:
- \*  $\varnothing$  Important Dimension
  - \* Waterproof Rate: IP68, Unmated
  - \* IP68: 1M depth of water in 24 hours
  - \* Connector: Thermoplastic, Black
  - \* Male Pin: Copper Alloy, Gold Plated
  - \* Gasket: Rubber, Gray
  - \* Wire Harness: ULI430, 20AWG
  - \* Blind holes for the screws used M3X0.5mm
  - \* Blind Hole Size M3X0.5mm
  - \* Wire harness Tolerance: 100  $\pm$  10mm  
101~300  $\pm$  15mm  
301~1000  $\pm$  20mm
  - \* Prohibiting the use of place in oils

PE BAG 4 SETS 	Blind-Hole  2.5 Effective Depth of Thread	 Recommended Panel Cut-out
----------------------	--	-------------------------------

UNIT: mm		TITLE	RBL, C-5A, REAR FASTENED F, M, SOLDER, RBL		
TOLERANCE	$\pm 0.5$ mm	SCALE	1:1	SIZE	A4
		REV.	B	WC-REV.	A.1
				$\varnothing$	Inspection item
				SHEET	1 OF 2

**Amphenol LTW**  
安費諾亮泰企業股份有限公司

ITEM NO.	DRAWN BY	DATE
	Ruru	2020-04-22
DWG NO.	CHECKED BY	DATE
CD-XXRFMS-RS8CXX	Rita	2020-04-22
CUSTOMER	APPROVED BY	DATE
ALTW	Max	2020-04-22

THIS DOCUMENT IS SUBJECT TO CHANGE WITHOUT NOTICE. IT IS CONFIDENTIAL AND A PROPERTY OF Amphenol LTW. DISCLOSURE TO THIRD PARTY HAS TO BE AUTHORIZED BY Amphenol LTW.

THIS DOCUMENT IS SUBJECT TO CHANGE WITHOUT NOTICE. IT IS CONFIDENTIAL AND A PROPERTY OF Amphenol LTW. DISCLOSURE TO THIRD PARTY HAS TO BE AUTHORIZED BY Amphenol LTW.

1 2 3 4 5 6 7 8

F

E

D

C

B

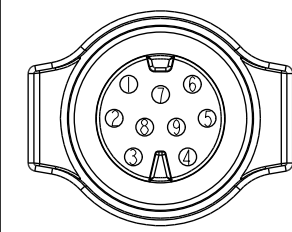
A

CD-XXRFMS-RS8CXX

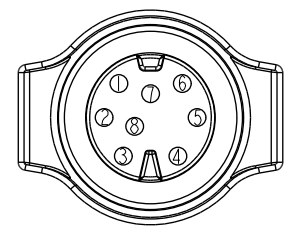
XX:No. Of Pin(Pin 數)

10 : 100mm  
 15 : 150mm  
 20 : 200mm  
 ↓  
 A0 : 1000mm  
 Cable Pitch Unit: 50mm  
 Wire Length(L): 100~1000mm

9	Gray	灰	9	--	
8	Purple	紫	8	Purple	紫
7	Blue	藍	7	Blue	藍
6	Yellow	黃	6	Yellow	黃
5	Green	綠	5	Green	綠
4	Red	紅	4	Red	紅
3	Brown	棕	3	Brown	棕
2	Orange	橙	2	Orange	橙
1	Black	黑	1	Black	黑



9Pin

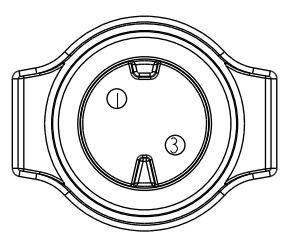


8Pin

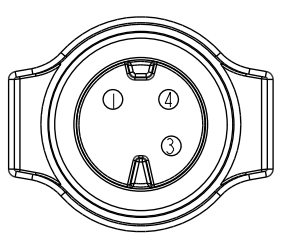
Pin Out

4	--	4	Red	紅	4	Red	紅	6	Yellow	黃	6	Yellow	黃	9	--		
3	Brown	棕	3	Brown	棕	3	Brown	棕	5	--	5	Green	綠	8	--		
2	--		2	--		2	Orange	橙	4	Red	紅	4	Red	紅	7	Blue	藍
1	Black	黑	1	Black	黑	1	Black	黑	3	Brown	棕	3	Brown	棕	6	Yellow	黃
									2	Orange	橙	2	Orange	橙	5	Green	綠
									1	Black	黑	1	Black	黑	4	Red	紅
															3	Brown	棕
															2	Orange	橙
															1	Black	黑

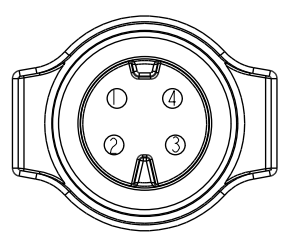
Pin Assignments Front View



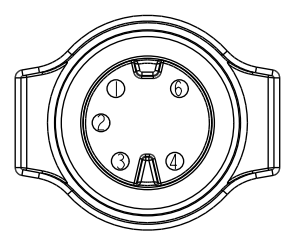
2Pin



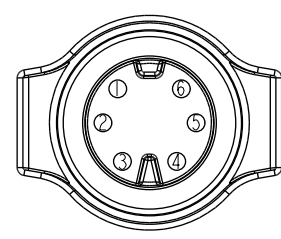
3Pin



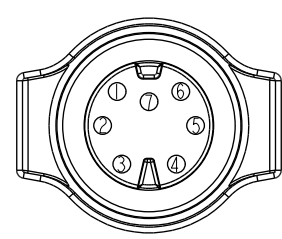
4Pin



5Pin

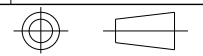


6Pin



7Pin

UNIT:mm



TITLE RBL, C-5A, REAR FASTENED  
 F, M, SOLDER, RBL

**Amphenol LTW**

ITEM NO

DRAWN BY

DATE

TOLERANCE

±0.5mm

SCALE 1:1 SIZE A4 SHEET 2 OF 2

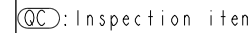
安費諾亮泰企業股份有限公司

DWG NO  
 CD-XXRFMS-RS8CXX

CHECKED BY  
 Rita

DATE  
 2020-04-22

REV. B WC-REV. A.1



ALTW

CUSTOMER

APPROVED BY  
 Max

DATE  
 2020-04-22

1 2 3 4 5 6 7 8 W10814-03-0001A2