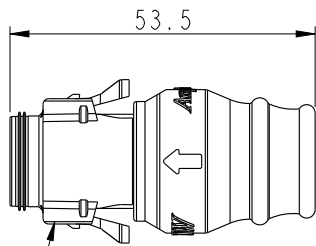
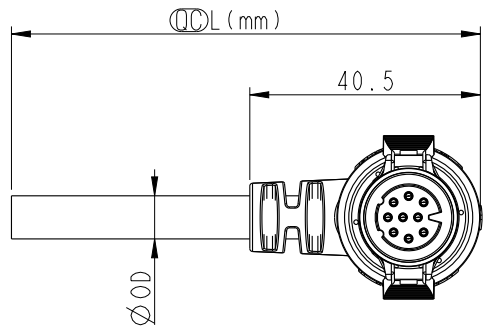
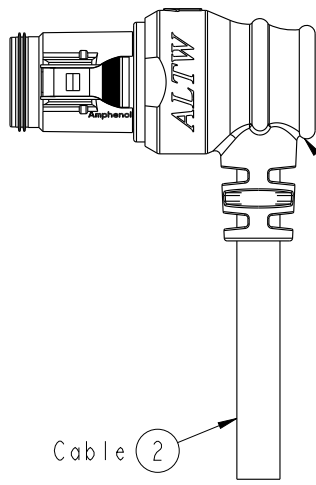
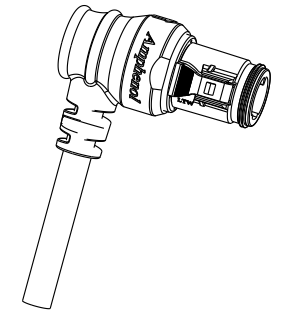


| | | | | |
|------|---------|------|------|-------------|
| REV. | ECN NO. | DATE | SIGN | DESCRIPTION |
| | | | | |
| | | | | |



Connector ①



Outer Mold
Color:Black

Cable ②



Note:

- * \varnothing Important Dimension To Check.
- * Waterproof Rate: IP68
- * Connector: M-PPE, Black.
- * Male Pin: Copper Alloy, Gold Plated.
- * Gasket: Silicone, Gray.
- * Cable: UL21388 20# ,PVC Jacket , UV Resistant, Black.
- * Cable Length Tolerance: 01M:±40mm
02M~05M:±60mm
06M~10M:±100mm
11M~30M:±200mm
31M~99M:±500mm
- * Prohibiting the use of place in oils.

| | |
|------------------|----------|
| CD-02AMMM-RR8DXX | Ø 5.5 |
| CD-03AMMM-RR8DXX | |
| CD-04AMMM-RR8DXX | Ø 6.0 |
| CD-05AMMM-RR8DXX | Ø 6.2 |
| CD-06AMMM-RR8DXX | Ø 6.8 |
| CD-07AMMM-RR8DXX | |
| CD-08AMMM-RR8DXX | Ø 7.2 |
| CD-09AMMM-RR8DXX | Ø 7.6 |
| Part No. | Cable OD |

| | | |
|------------------------------|-------------------------------------------|--------------------|
| UNIT:mm TOLERANCE ±0.5 | TITLE MIDDLE CABLE RBL M CONN M PIN | |
| | SCALE 3:4 | SIZE A4 |
| | REV. A | WC-REV. A.1 |
| SHEET 1 OF 2 | | ②: Inspection item |

Amphenol LTW
安費諾亮泰企業股份有限公司

| | | |
|----------------------------|----------------------|--------------------|
| ITEM NO | DRAWN BY Peng | DATE 2019-03-02 |
| DWG NO CD-XXAMMM-RR8DXX | CHECKED BY Mafei | DATE 2019-03-02 |
| CUSTOMER ALTW | APPROVED BY Jerry | DATE 2019-03-02 |

THIS DOCUMENT IS SUBJECT TO CHANGE WITHOUT NOTICE. IT IS CONFIDENTIAL AND A PROPERTY OF Amphenol LTW. DISCLOSURE TO THIRD PARTY HAS TO BE AUTHORIZED BY Amphenol LTW.

THIS DOCUMENT IS SUBJECT TO CHANGE WITHOUT NOTICE. IT IS CONFIDENTIAL AND A PROPERTY OF Amphenol LTW. DISCLOSURE TO THIRD PARTY HAS TO BE AUTHORIZED BY Amphenol LTW.



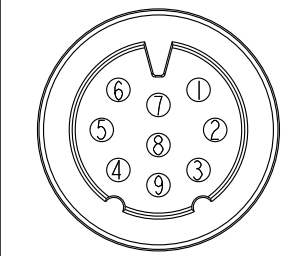
CD-XXAMMM-RR8D XX

Middle Size Current Rating 5A
 XX:No. Of Pin (Pin 數)
 A:Cable With S/R (線端帶網尾)
 M:Male Connector (公座)
 M:Male Pin (公Pin)
 M:Molding Type (射出成型)

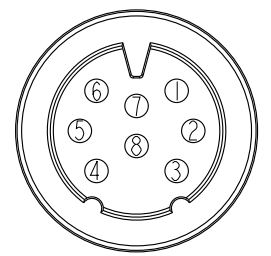
XX:01~99Meter
 01:01Meter
 02:02Meter
 ...
 99:99Meter

D:UL 21388 Cable
 8:IP67(防水等級 68)
 R:Right Angle(90°)
 R:Snap In With Latch(彈臂卡合)

| | | | | | |
|---|--------|---|---|--------|---|
| 9 | Gray | 灰 | 9 | -- | |
| 8 | Purple | 紫 | 8 | Purple | 紫 |
| 7 | Blue | 藍 | 7 | Blue | 藍 |
| 6 | Yellow | 黃 | 6 | Yellow | 黃 |
| 5 | Green | 綠 | 5 | Green | 綠 |
| 4 | Red | 紅 | 4 | Red | 紅 |
| 3 | Brown | 棕 | 3 | Brown | 棕 |
| 2 | Orange | 橘 | 2 | Orange | 橘 |
| 1 | Black | 黑 | 1 | Black | 黑 |



9Pin



8Pin

| | | | | | | | | | | | | | | | | | | |
|---------|---|-------|---|-----|-------|---|--------|-------|---|--------|--------|---|--------|--------|---|------|--------|---|
| Pin Out | 4 | -- | 4 | Red | 紅 | 4 | Red | 紅 | 6 | Yellow | 黃 | 6 | Yellow | 黃 | 9 | -- | | |
| | 3 | Brown | 棕 | 3 | Brown | 棕 | 3 | Brown | 棕 | -- | | 5 | Green | 綠 | 8 | -- | | |
| | 2 | -- | 2 | -- | | 2 | Orange | 橘 | 4 | Red | 紅 | 4 | Red | 紅 | 7 | Blue | 藍 | |
| | 1 | Black | 黑 | 1 | Black | 黑 | 1 | Black | 黑 | 3 | Brown | 棕 | 3 | Brown | 棕 | 6 | Yellow | 黃 |
| | | | | | | | | | | 2 | Orange | 橘 | 2 | Orange | 橘 | 5 | Green | 綠 |
| | | | | | | | | | | 1 | Black | 黑 | 1 | Black | 黑 | 4 | Red | 紅 |
| | | | | | | | | | | | | | | | | 3 | Brown | 棕 |
| | | | | | | | | | | | | | | | | 2 | Orange | 橘 |
| | | | | | | | | | | | | | | | | 1 | Black | 黑 |

| | | | | | | |
|----------------------------|------|------|------|------|------|------|
| Pin Assignments Front View | | | | | | |
| | 2Pin | 3Pin | 4Pin | 5Pin | 6Pin | 7Pin |

| | | | | | | | | |
|------------------------------|-------------------------------------------|----------------|--------------------------------------------|--|---------------------|----------------------------|----------------------|--------------------|
| UNIT:mm TOLERANCE ±0.5 | TITLE MIDDLE CABLE RBL M CONN M PIN | | <h1>Amphenol LTW</h1> <p>安費諾亮泰企業股份有限公司</p> | | ITEM NO | DRAWN BY | DATE | |
| | SCALE 3:4 | SIZE A4 | | | SHEET 2 OF 2 | DWG NO CD-XXAMMM-RR8DXX | CHECKED BY Mafei | DATE 2019-03-02 |
| | REV. A | WC-REV. A.1 | | | QC: Inspection item | CUSTOMER ALTW | APPROVED BY Jerry | DATE 2019-03-02 |