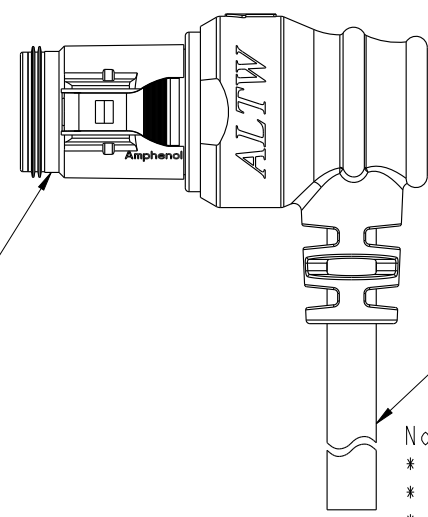
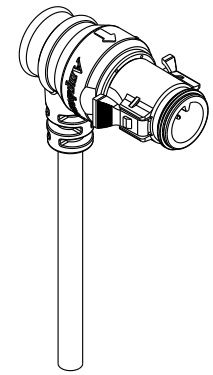
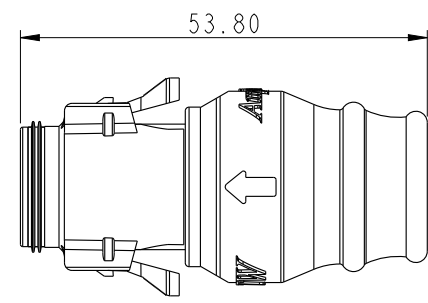
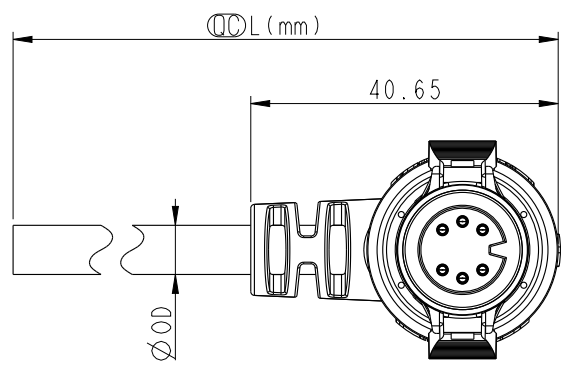
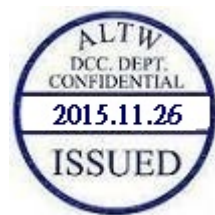
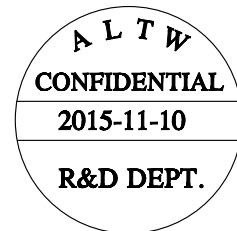


THIS DOCUMENT IS SUBJECT TO CHANGE WITHOUT NOTICE. IT IS CONFIDENTIAL AND A PROPERTY OF AMPHENOL LTW. DISCLOSURE TO THIRD PARTY HAS TO BE AUTHORIZED BY AMPHENOL LTW.

REV.	ECN NO.	DATE	SIGN	DESCRIPTION
B	LEN1580178~79	2015/08/08	Lu Di	Change To Common Drawing
C	LEN15B0376-380	2015/11/10	Joyy	Add 7-8 And 9 Pin To The Common Drawing



CD-XXAMMM-RR7000
Color: Black



- Note:
- * \varnothing Important Dimension To Check.
 - * Waterproof Rate: IP67
 - * Housing: M-PPE, Black.
 - * Male Pin: Copper Alloy, Gold Plated.
 - * Gasket: Silicone, Gray.
 - * Cable: UL2464 20#, PVC Jacket, UV Resistant, Black.
 - * Cable Length Tolerance: 01M:±40mm
02M~05M:±60mm
06M~10M:±100mm
11M~30M:±200mm
31M~99M:±500mm
- * Prohibiting the use of place in oils

Part No.	Cable OD
CD-02AMMM-RR7AXX	
CD-03AMMM-RR7AXX	Ø 5.5
CD-04AMMM-RR7AXX	
CD-05AMMM-RR7AXX	Ø 6.0
CD-06AMMM-RR7AXX	Ø 6.5
CD-07AMMM-RR7AXX	
CD-08AMMM-RR7AXX	Ø 6.8
CD-09AMMM-RR7AXX	Ø 7.4

UNIT:mm		TITLE MIDDLE CABLE RBL M CONN M PIN	
TOLERANCE	±0.5	SCALE 1:1	SIZE A4
		REV. C	WC-REV. A.2
		SHEET 1 OF 2	
		QC: Inspection item	

Amphenol LTW
安費諾亮泰企業股份有限公司

ITEM NO	DRAWN BY Joyy	DATE 2015-11-10
DWG NO CD-XXAMMM-RR7AXX	CHECKED BY Lu Di	DATE 2015-11-10
CUSTOMER ALTW	APPROVED BY Jerry	DATE 2015-11-10

B

F

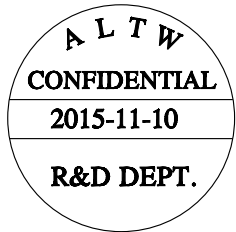
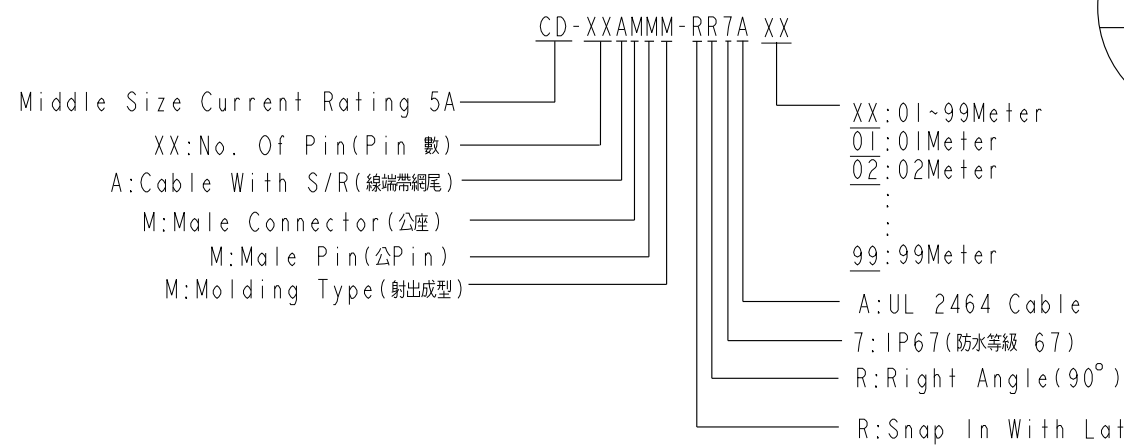
E

D

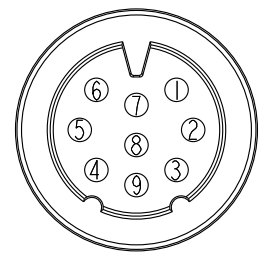
C

B

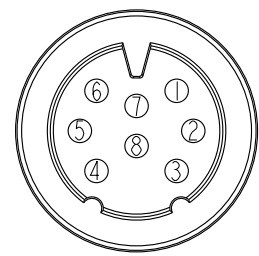
A



9	White	白	9	--	
8	Purple	紫	8	Purple	紫
7	Red	紅	7	Red	紅
6	Green	綠	6	Green	綠
5	Yellow	黃	5	Yellow	黃
4	Blue	藍	4	Blue	藍
3	Orange	橘	3	Orange	橘
2	Brown	棕	2	Brown	棕
1	Black	黑	1	Black	黑



9Pin



8Pin

C

Pin Out	4	--	4	Blue	藍	4	Blue	藍	6	Green	綠	6	Grey	灰	9	--	
	3	White	3	White	白	3	White	白	5	--		5	Yellow	黃	8	--	
	2	--	2	--		2	Brown	棕	4	Black	黑	4	Green	綠	7	Red	紅
	1	Black	1	Black	黑	1	Black	黑	3	Blue	藍	3	White	白	6	Green	綠
									2	White	白	2	Blue	藍	5	Yellow	黃
									1	Brown	棕	1	Brown	棕	4	Blue	藍
															3	Orange	橘
															2	Brown	棕
															1	Black	黑

Pin Assignments Front View						
	2Pin	3Pin	4Pin	5Pin	6Pin	7Pin

UNIT:mm		TITLE MIDDLE CABLE RBL M CONN M PIN		Amphenol LTW		ITEM NO	DRAWN BY Joyy	DATE 2015-11-10
TOLERANCE ±0.5		SCALE 1:1	SIZE A4	安費諾亮泰企業股份有限公司		DWG NO CD-XXAMMM-RR7AXX	CHECKED BY Lu Di	DATE 2015-11-10
		REV. C	WC-REV. A.2	SHEET 2 OF 2	◎: Inspection item	CUSTOMER ALTW	APPROVED BY Jerry	DATE 2015-11-10