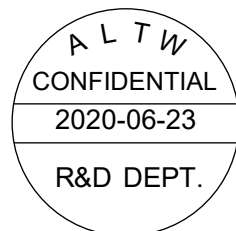
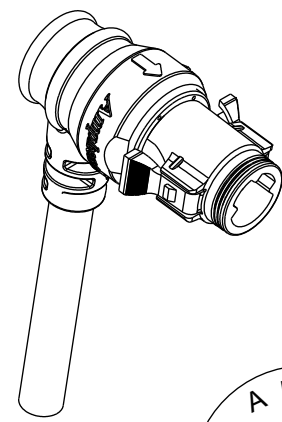
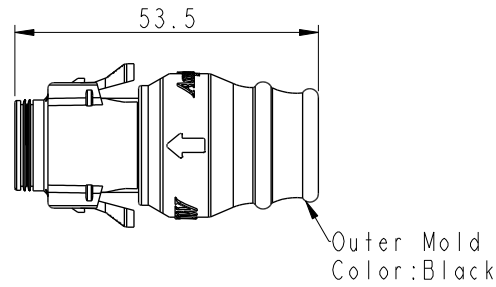
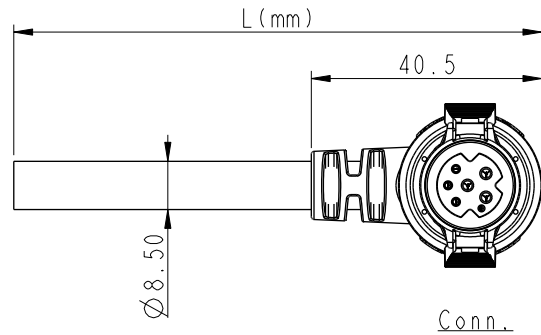
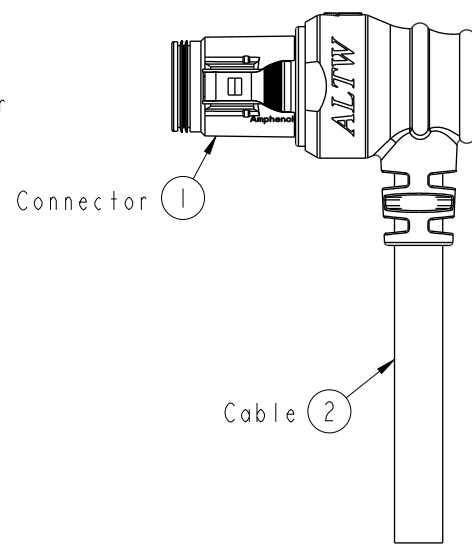


THIS DOCUMENT IS SUBJECT TO CHANGE WITHOUT NOTICE. IT IS CONFIDENTIAL AND A PROPERTY OF Amphenol LTW. DISCLOSURE TO THIRD PARTY HAS TO BE AUTHORIZED BY Amphenol LTW.

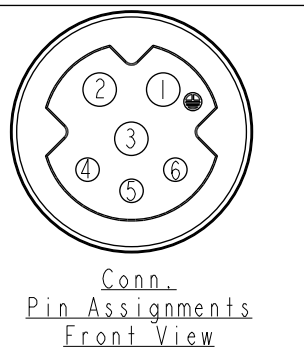
REV.	ECN NO.	DATE	SIGN	DESCRIPTION
B	C200960	2020/06/23	Ruru	$\triangle B$ X4



$\triangle B$ CBD-XXAMMM-RR8FXX
 XX: No. Of Pin(Pin數)
 XX:01~99Meter
 01:01Meter
 02:02Meter
 ...
 99:99Meter
 Cable Length(L):01~99Meters



- $\triangle B$ Note:
- * $\text{\textcircled{C}}$ Important Dimension To Check
 - * Waterproof Rate: IP68
 - * Housing: Thermoplastic, Black
 - * Male Pin: Copper Alloy, Gold Plated
 - * Gasket: Rubber, Gray
 - * Cable: UL21996 3C*16AWG+(20#*1P+D+AL)+F+AL/MY PVC Jacket, OD=8.5, Black
 - * Cable Length Tolerance:
 - >0.3M~1.5M: +50/-0mm
 - >1.5M~3M: +100/-0mm
 - >3M~5M: +150/-0mm
 - >5M~10M: ± 100 mm
 - >10M~20M: ± 200 mm
 - >20M~30M: ± 300 mm
 - >30M~100M: ± 500 mm
 - * Prohibiting the use of place in oils



Pin	Wire Color	Wire Size	Color	Notes
6	Drain	(20AWG)	地線	Twist
5	White	(20AWG)	白	
4	Green	(20AWG)	綠	
3	Blue	(16AWG)	藍	
2	Red	(16AWG)	紅	
1	Black	(16AWG)	黑	
Conn.	Wire Color			
Pin Out				

UNIT:mm		TITLE
TOLERANCE	± 0.5	RBL, C-10A+5A, 06P, CABLE W/SR M, M, MOLDING, RBL
SCALE	3:4	SIZE A4
REV.	B	SHEET 1 OF 1
WC-REV.	.0	$\text{\textcircled{C}}$: Inspection item

Amphenol LTW
 安費諾亮泰企業股份有限公司

ITEM NO	DRAWN BY	DATE
	Peng	2019-04-30
DWG NO	CHECKED BY	DATE
CBD-XXAMMM-RR8FXX $\triangle B$	Mafei	2019-04-30
CUSTOMER	APPROVED BY	DATE
ALTW	Jerry	2019-04-30