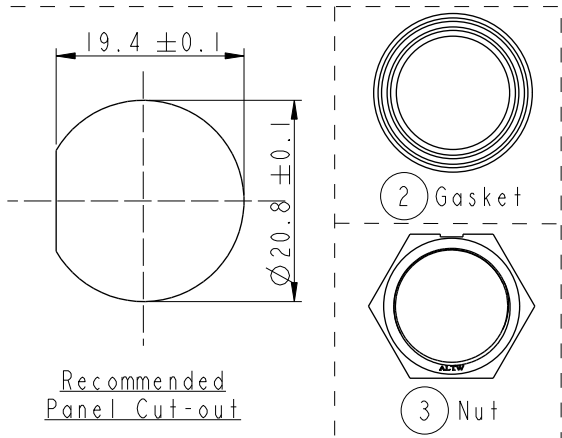
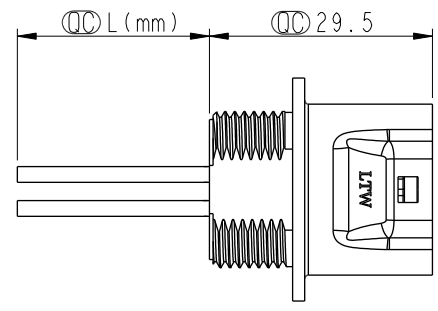
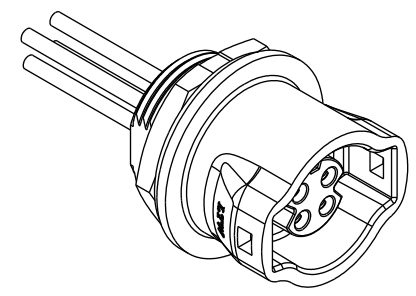
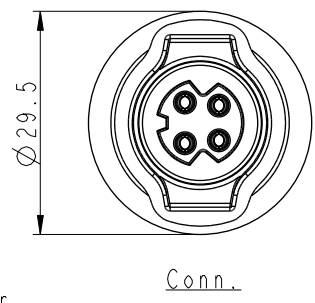
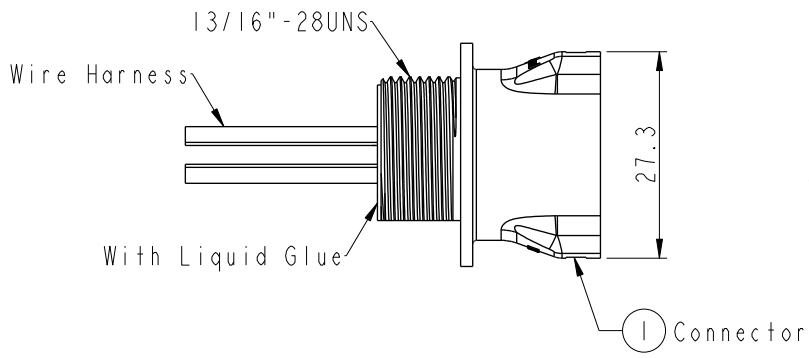


THIS DOCUMENT IS SUBJECT TO CHANGE WITHOUT NOTICE. IT IS CONFIDENTIAL AND A PROPERTY OF Amphenol LTW. DISCLOSURE TO THIRD PARTY HAS TO BE AUTHORIZED BY Amphenol LTW.

REV.	ECN NO.	DATE	SIGN	DESCRIPTION
A		2020/05/12	Vicky	Initial Released



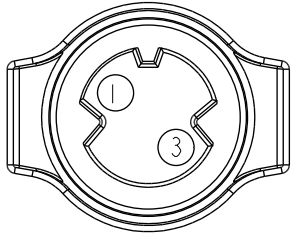
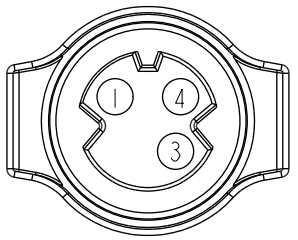
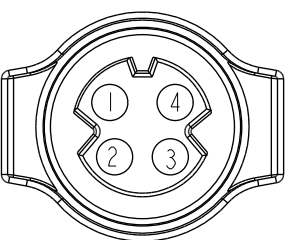
- Note:
- * \varnothing Important Dimension
 - * Waterproof Rate: IP68, Unmated
 - * IP68: IM Depth of water in 24 hours
 - * Connector: Thermoplastic, Black
 - * Female Pin: Copper Alloy, Gold Plated
 - * Gasket: Rubber, Black
 - * Screw Nut: Thermoplastic, Black
 - * Wire Harness: UL1015, 16AWG
 - * Panel Thickness Max: 5.0mm
 - * Wire harness Tolerance: 100mm ± 10mm
101~300mm ± 15mm
301~1000mm ± 20mm
 - * Prohibiting the use of place in oils
 - * The nut and gasket are packed separately

UNIT: mm TOLERANCE ± 0.5mm	TITLE RBL, C-10A, REAR FASTENED F, F, SOLDER, RBL		Amphenol LTW 安費諾亮泰企業股份有限公司		ITEM NO.	DRAWN BY Vicky	DATE 2020-05-12
	SCALE 1:1	SIZE A4			SHEET 1 OF 2	DWG NO. CB-XXRFFS-RC8CXX	CHECKED BY Rita
	REV. A	WC-REV. A.1	\varnothing : Inspection item	CUSTOMER ALTW	APPROVED BY Max	DATE 2020-05-12	

CB-XXRFFS-RC8CXX

XX:No. Of Pin(Pin 數)

10 : 100mm
 15 : 150mm
 20 : 200mm
 ↓
 A0 : 1000mm
 Cable Pitch Unit: 50mm
 Wire Length(L): 100~1000mm

Pin Out	4	--	4	Brown 棕	4	Brown 棕
	3	Red 紅	3	Red 紅	3	Red 紅
	2	--	2	--	2	Orange 橙
	1	Black 黑	1	Black 黑	1	Black 黑
Pin Assignments Front View	 <p>2Pin</p>		 <p>3Pin</p>		 <p>4Pin</p>	

UNIT:mm TOLERANCE ±0.5mm	 		TITLE RBL, C-10A, REAR FASTENED F, F, SOLDER, RBL		Amphenol LTW 安費諾亮泰企業股份有限公司		ITEM NO	DRAWN BY Vicky	DATE 2020-05-12
	SCALE 1:1	SIZE A4	SHEET 2 OF 2		DWG NO CB-XXRFFS-RC8CXX	CHECKED BY Rita	DATE 2020-05-12		
	REV. A	WC-REV. A.1	 Inspection item		CUSTOMER ALTW	APPROVED BY Max	DATE 2020-05-12		