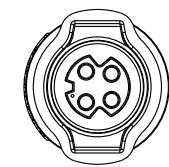
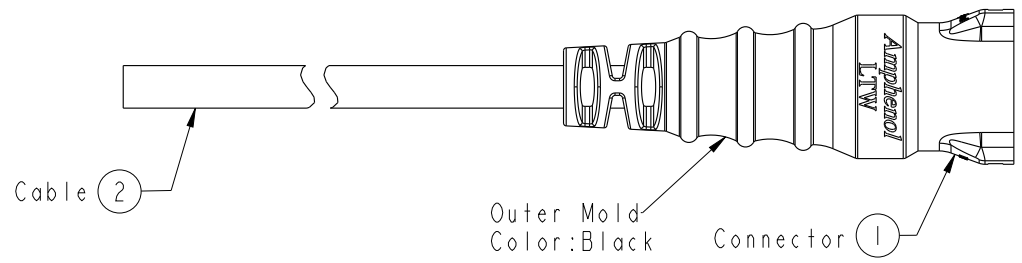
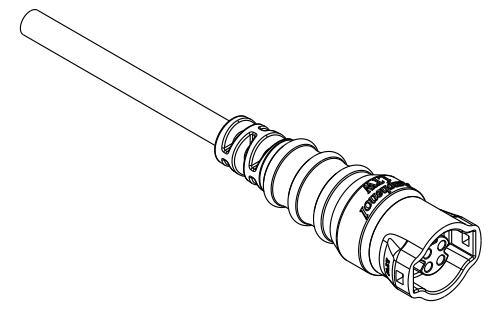
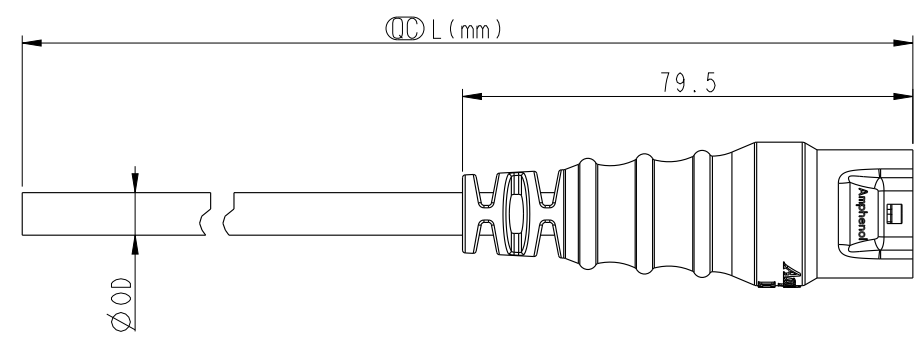
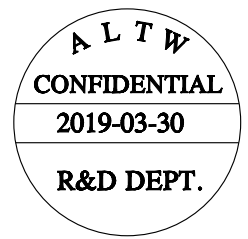


THIS DOCUMENT IS SUBJECT TO CHANGE WITHOUT NOTICE. IT IS CONFIDENTIAL AND A PROPERTY OF Amphenol LTW. DISCLOSURE TO THIRD PARTY HAS TO BE AUTHORIZED BY Amphenol LTW.

REV.	ECN NO.	DATE	SIGN	DESCRIPTION



Conn



- Note:
- \*  $\text{⌀}$  Important Dimension To Check.
  - \* Waterproof Rate: IP68
  - \* Housing: M-PPE, Black.
  - \* Female Pin: Copper Alloy, Gold Plated.
  - \* Cable: UL21388 16#, PVC Jacket, UV Resistant, Black.
  - \* Cable Length Tolerance: 01M:±40mm  
02M~05M:±60mm  
06M~10M:±100mm  
11M~30M:±200mm  
31M~99M:±500mm
  - \* Prohibiting the use of place in oils

CB-02AFFM-RL8DXX	Ø 6.0
CB-03AFFM-RL8DXX	Ø 6.5
CB-04AFFM-RL8DXX	Ø 6.8
Part No.	Cable OD

UNIT:mm		
TOLERANCE	±0.5	

TITLE MIDDLE CABLE RBL F CONN F PIN			
SCALE 3:4	SIZE A4	SHEET 1 OF 2	
REV. A	WC-REV. A.1	$\text{⌀}$ : Inspection item	

**Amphenol LTW**  
安費諾亮泰企業股份有限公司

ITEM NO	DRAWN BY Peng	DATE 2019-03-30
DWG NO CB-XXAFFM-RL8DXX	CHECKED BY Jerry	DATE 2019-03-30
CUSTOMER ALTW	APPROVED BY Max	DATE 2019-03-30

THIS DOCUMENT IS SUBJECT TO CHANGE WITHOUT NOTICE. IT IS CONFIDENTIAL AND A PROPERTY OF Amphenol LTW. DISCLOSURE TO THIRD PARTY HAS TO BE AUTHORIZED BY Amphenol LTW.

1 2 3 4 5 6 7 8

F

E

D

C

B

A

CB-XXAFFM-RL8D XX

Middle Size Current Rating 10A

XX:No. Of Pin(Pin 數)

A:Cable With S/R(線端帶網尾)

F:Female Connector(母座)

F:Female Pin(母Pin)

M:Molding Type(射出成型)

XX:01~99Meter

01:01Meter

02:02Meter

⋮

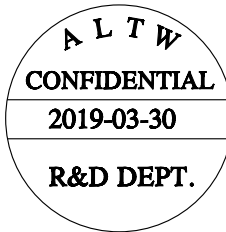
99:99Meter

D:UL21388 Cable

8:IP68(防水等級 68)

L:Straight(180°)

R:Snap In With Latch(彈臂卡合式)



Pin Out	4 -- 3 Red 紅 2 -- 1 Black 黑	4 Brown 棕 3 Red 紅 2 -- 1 Black 黑	4 Brown 棕 3 Red 紅 2 Orange 橙 1 Black 黑
Pin Assignments Front View	 2Pin	 3Pin	 4Pin

UNIT:mm		TITLE MIDDLE CABLE RBL F CONN F PIN	
TOLERANCE ±0.5		SCALE 3:4	SIZE A4
		REV. A	WC-REV. A.1
		SHEET 2 OF 2 QC: Inspection item	

**Amphenol LTW**  
安費諾亮泰企業股份有限公司

ITEM NO	DRAWN BY Peng	DATE 2019-03-30
DWG NO CB-XXAFFM-RL8DXX	CHECKED BY Jerry	DATE 2019-03-30
CUSTOMER ALTW	APPROVED BY Max	DATE 2019-03-30

1 2 3 4 5 6 7 8 W10814-03-01A2