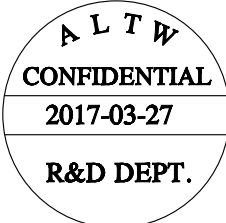
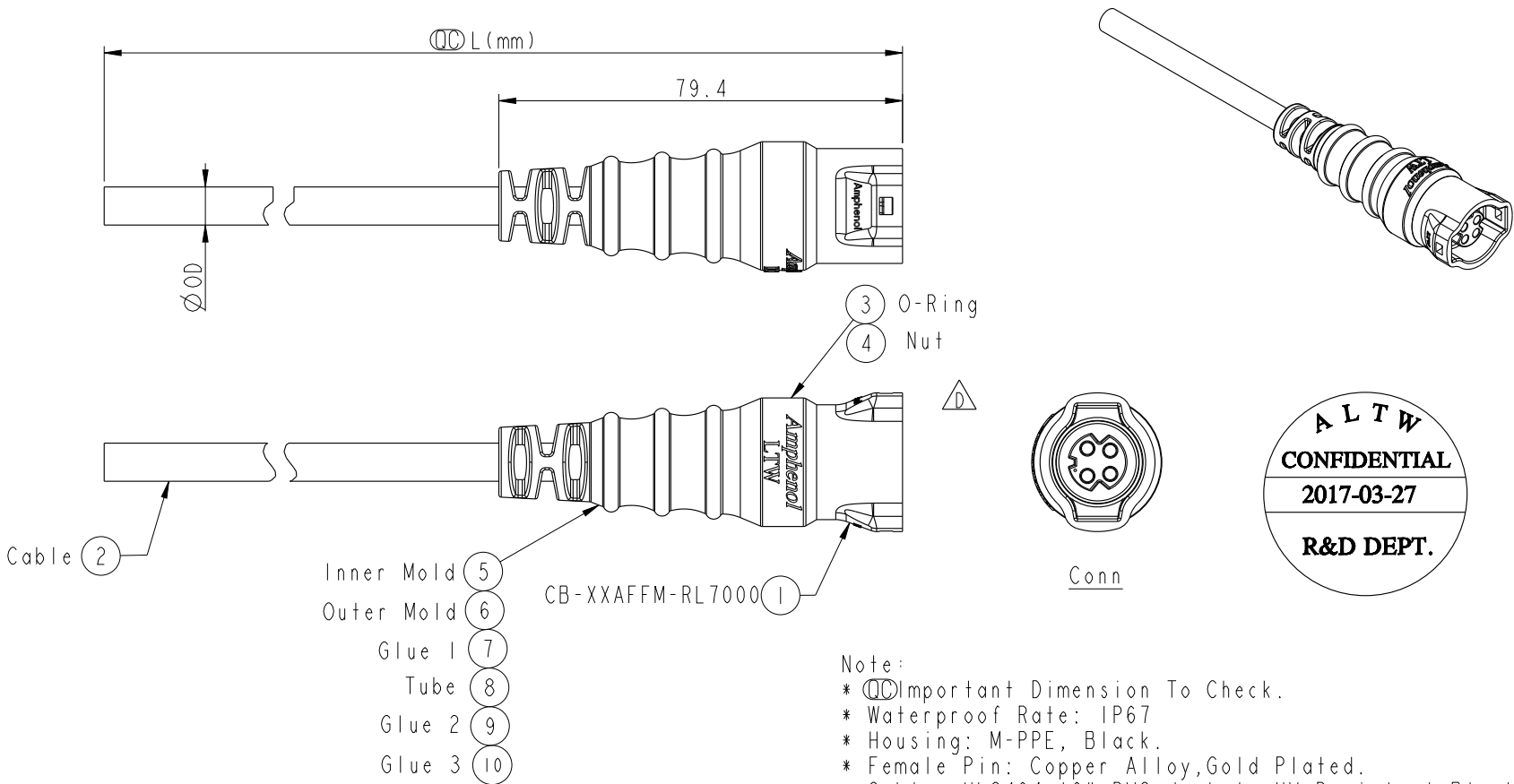


THIS DOCUMENT IS SUBJECT TO CHANGE WITHOUT NOTICE. IT IS CONFIDENTIAL AND A PROPERTY OF Amphenol LTW. DISCLOSURE TO THIRD PARTY HAS TO BE AUTHORIZED BY Amphenol LTW.

REV.	ECN NO.	DATE	SIGN	DESCRIPTION
B	LEN1580276~78	2015/08/12	Lu Di	Change To Common Drawing
C	LEN1680343 LEN1680348-49	2016/08/06	Mafei	Updated The Pin Out Color.
D	LE31740031~33	2017/03/27	Mafei	Updated The Connector.



Note:

- * L Important Dimension To Check.
- * Waterproof Rate: IP67
- * Housing: M-PPE, Black.
- * Female Pin: Copper Alloy, Gold Plated.
- * Cable: UL2464 16#, PVC Jacket, UV Resistant, Black.
- * Cable Length Tolerance: 01M:±40mm
02M~05M:±60mm
06M~10M:±100mm
11M~30M:±200mm
31M~99M:±500mm
- * Prohibiting the use of place in oils

CB-02AFFM-RL7AXX	∅7.8
CB-03AFFM-RL7AXX	∅7.5
CB-04AFFM-RL7AXX	∅7.5
Part No.	Cable OD

UNIT: mm	TOLERANCE	TITLE	SCALE	SIZE	SHEET	OF
∅	±0.5	MIDDLE CABLE RBL F CONN F PIN	3:4	A4	1	2
		REV. D	WC-REV. A.3	Ⓞ: Inspection item		

Amphenol LTW
安費諾亮泰企業股份有限公司

ITEM NO	DWG NO	CUSTOMER	DRAWN BY	CHECKED BY	APPROVED BY	DATE
	CB-XXAFFM-RL7AXX	ALTW	Mafei	Jerry	Max	2017-03-27
						2017-03-27
						2017-03-27

THIS DOCUMENT IS SUBJECT TO CHANGE WITHOUT NOTICE. IT IS CONFIDENTIAL AND A PROPERTY OF Amphenol LTW. DISCLOSURE TO THIRD PARTY HAS TO BE AUTHORIZED BY Amphenol LTW.



CB-XXAFFM-RL7A XX

Middle Size Current Rating 10A

XX:No. Of Pin(Pin 數)

A:Cable With S/R(線端帶網尾)

F:Female Connector(母座)

F:Female Pin(母Pin)

M:Molding Type(射出成型)

XX:01~99Meter

01:01Meter

02:02Meter

...

...

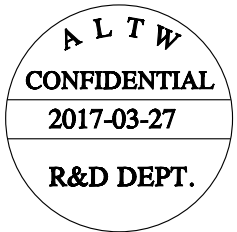
99:99Meter

A:UL 2464 Cable

7:IP67(防水等級 67)

L:Straight(180°)

R:Snap In With Latch(彈臂卡合式)



Pin Out	4	--	4	Green 綠	4	Orange 橙
	3	Red 紅	3	White 白	3	Red 紅
	2	--	2	--	2	Brown 棕
	1	Black 黑	1	Black 黑	1	Black 黑
Pin Assignments Front View						
	2Pin		3Pin		4Pin	

UNIT:mm 	TITLE MIDDLE CABLE RBL F CONN F PIN			Amphenol LTW 安費諾亮泰企業股份有限公司	ITEM NO	DRAWN BY Mafei	DATE 2017-03-27		
	TOLERANCE ±0.5		SCALE 3:4		SIZE A4	SHEET 2 OF 2	DWG NO CB-XXAFFM-RL7AXX	CHECKED BY Jerry	DATE 2017-03-27
	REV. D	WC-REV. A.3	QC: Inspection item		CUSTOMER ALTW	APPROVED BY Max	DATE 2017-03-27		