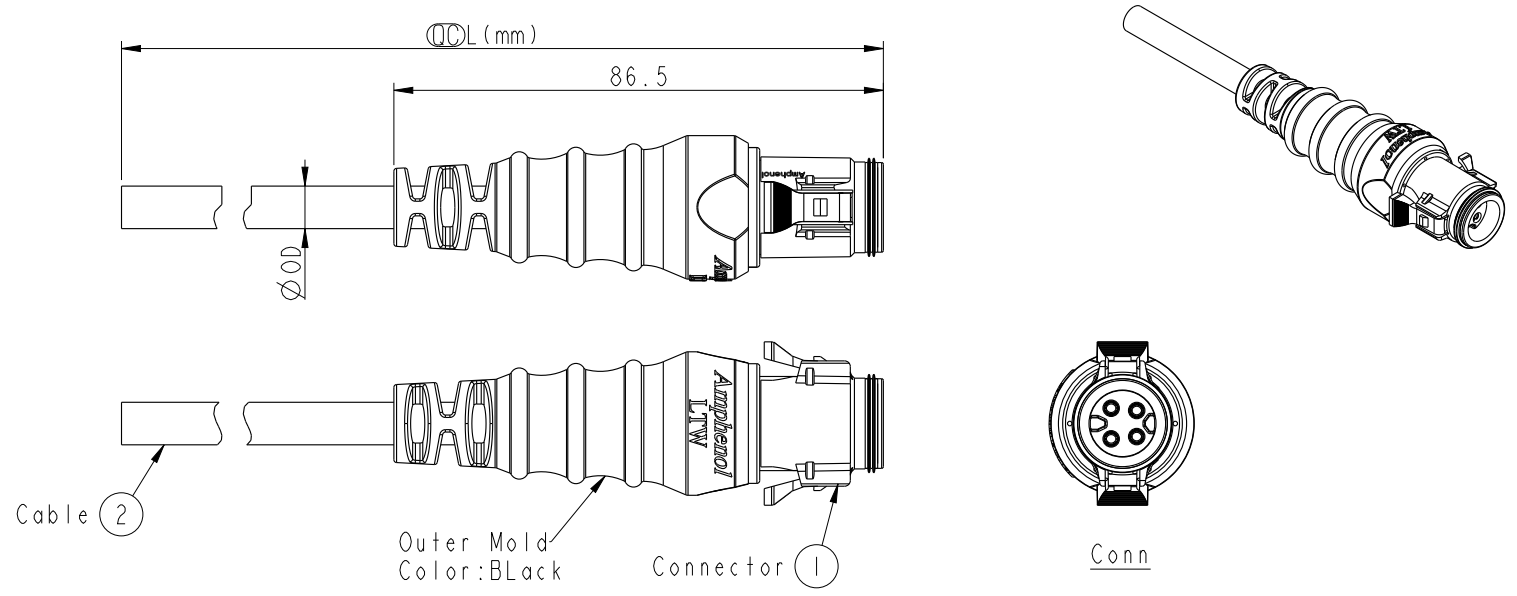


REV.	ECN NO.	DATE	SIGN	DESCRIPTION



ALTW
CONFIDENTIAL
 2019-03-30
R&D DEPT.

- Note:
- * \varnothing Important Dimension To Check.
 - * Waterproof Rate: IP68
 - * Housing: M-PPE , Black.
 - * Female Pin: Copper Alloy, Gold Plated.
 - * Cable: UL21388 16#, PVC Jacket, UV Resistant, Black.
 - * Cable Length Tolerance: 01M: ±40mm
 02M~05M: ±60mm
 06M~10M: ±100mm
 11M~30M: ±200mm
 31M~99M: ±500mm
 - * Prohibiting the use of place in oils

CB-02AMFM-RL8DXX	Ø6.0
CB-03AMFM-RL8DXX	Ø6.5
CB-04AMFM-RL8DXX	Ø6.8
Part No.	Cable OD

UNIT: mm		
TOLERANCE	±0.5	

TITLE MIDDLE CABLE RBL M CONN F PIN			
SCALE 3:4	SIZE A4	SHEET 1 OF 2	
REV. A	WC-REV. A.1	\varnothing : Inspection item	

Amphenol LTW
安費諾亮泰企業股份有限公司

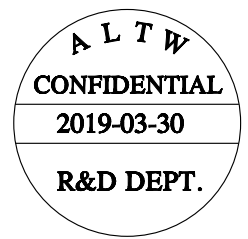
ITEM NO	DRAWN BY Peng	DATE 2019-03-30
DWG NO CB-XXAMFM-RL8DXX	CHECKED BY Mafei	DATE 2019-03-30
CUSTOMER ALTW	APPROVED BY Jerry	DATE 2019-03-30

THIS DOCUMENT IS SUBJECT TO CHANGE WITHOUT NOTICE. IT IS CONFIDENTIAL AND A PROPERTY OF Amphenol LTW. DISCLOSURE TO THIRD PARTY HAS TO BE AUTHORIZED BY Amphenol LTW.

CB-XXAMFM-RL8D XX

Middle Size Current Rating 10A
 XX:No. Of Pin (Pin 數)
 A:Cable With S/R (線端帶網尾)
 M:Male Connector (公座)
 F:Female Pin (母Pin)
 M:Molding Type (射出成型)

XX:01~99Meter
 01:01Meter
 02:02Meter
 :
 :
 99:99Meter
 D:UL21388 Cable
 8:IP67(防水等級 68)
 L: Straight(180°)
 R: Snap In With Latch(彈臂卡合式)



Pin Out	4 -- 3 Red 紅 2 -- 1 Black 黑	4 Brown 棕 3 Red 紅 2 -- 1 Black 黑	4 Brown 棕 3 Red 紅 2 Orange 橙 1 Black 黑
Pin Assignments Front View	 2Pin	 3Pin	 4Pin

UNIT:mm		TITLE MIDDLE CABLE RBL M CONN F PIN
TOLERANCE ±0.5		SCALE 3:4 SIZE A4 SHEET 2 OF 2
REV. A	WC-REV. A.1	Inspection item

Amphenol LTW
 安費諾亮泰企業股份有限公司

ITEM NO	DRAWN BY Peng	DATE 2019-03-30
DWG NO CB-XXAMFM-RL8DXX	CHECKED BY Mafei	DATE 2019-03-30
CUSTOMER ALTW	APPROVED BY Jerry	DATE 2019-03-30