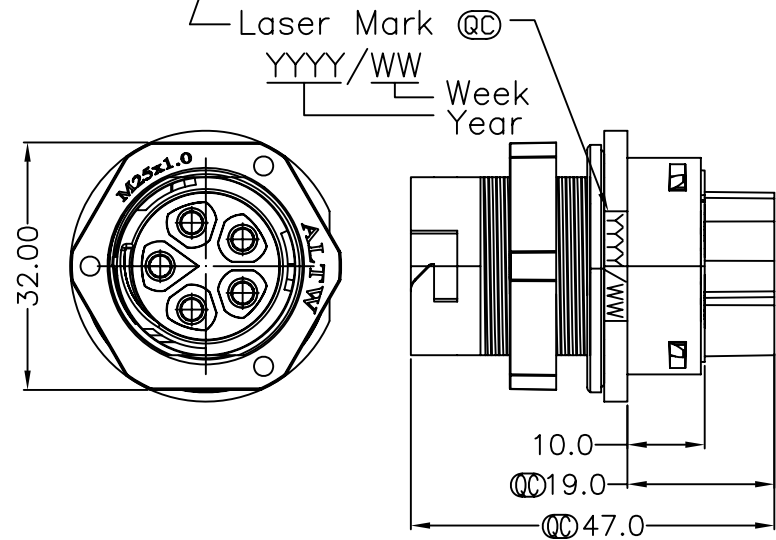
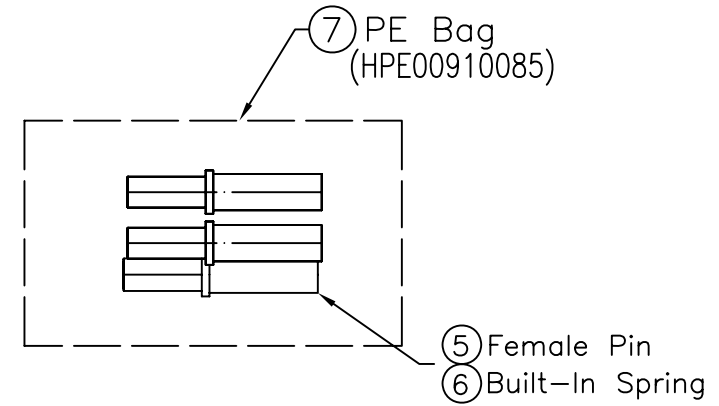
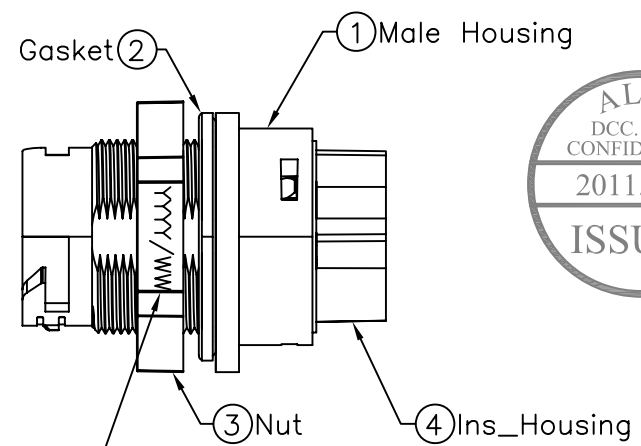


5	6	7	8
REV.	ECN NO.	DATE	SIGN

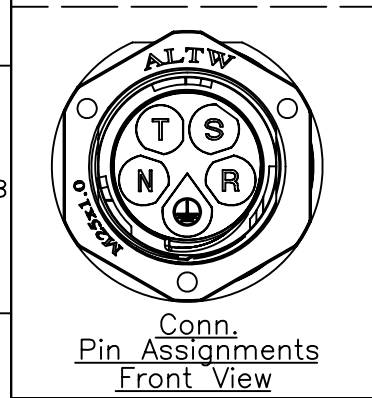
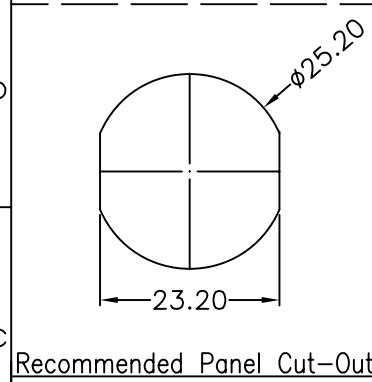
ALTW  
CONFIDENTIAL  
2011.06.13  
R&D DEPT.

ALTW  
DCC. DEPT.  
CONFIDENTIAL  
2011.07.04  
ISSUED



Note:

- \* QC Important Dimensions To Check. (重點檢查尺寸)
- \* Voltage (電壓) : AC 660V ; DC 1000V
- \* Current (電流) : 25A
- \* Please refer to manual for Ass'y instruction (使用方式請參閱組裝說明書)
- \* Standard (認證) : ULXXXXX ; CSAXXXX; TUVXXXXX
- \* Waterproof Rate (防水等級) : IP68\_3M6H (Mating 對接)
- \* Male Housing (母膠芯) : m-PPE(F1), Black (黑)
- \* Female Pin (母端子) : Copper (銅), Tin Plated (鍍錫)
- \* Gasket (墊片) : Silicone (矽樹脂), Gray (灰)
- \* Wire Size (導體尺寸) : 12AWG
- \* Flame Class (防火等級) : UL94V-0
- \* Recommended Panel Thickness: 0.5mm~8mm (建議面板厚度)
- \* One Set Ass'y Instructions in one PE Bag. (每包袋子中含有組裝說明書)



UNIT:mm	
TOLERANCE	
.X	±0.25
.XX	±0.1
.XXX	±0.05
ANGLES	±1°

TITLE PV Power Conn 5Pin Panel Male Connector Female Pin	
SCALE Free	SHEET 1 OF 1
REV. A	SIZE A4
QC : Inspection Item	

**Amphenol LTW**  
安費諾亮泰企業股份有限公司

ITEM NO LTWPWH-05PMFC-LC8001	DRAWN BY Micky	DATE 2011/06/13
DWG NO LTWPWH-05PMFC-LC8001	CHECKED BY Kevin	DATE 2011/06/13
CUSTOMER	APPROVED BY Victor	DATE 2011/06/13

DATE 2011/06/13
DATE 2011/06/13
DATE 2011/06/13

THIS DOCUMENT IS SUBJECT TO CHANGE WITHOUT NOTICE. IT IS CONFIDENTIAL AND A PROPERTY OF Amphenol LTW. DISCLOSURE TO THIRD PARTY HAS TO BE AUTHORIZED BY Amphenol LTW.